



PJ73A Series Low Dropout Regulators

Description

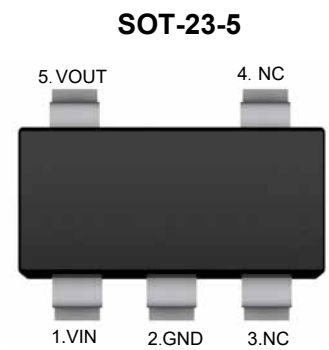
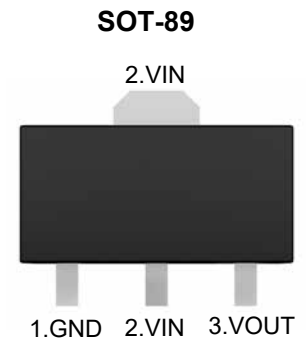
The PJ73A series is a set of three-terminal low power high voltage regulators implemented in CMOS technology. They allow input voltages as high as 20V. They are available with several fixed output voltages ranging from 2.1V to 9.0V. Because of the low power dissipation, PJ73A series are widely used in a variety of equipment such as audio device, video device, communication device and so on.

Features

- Low power consumption
- Low voltage drop
- Low temperature coefficient
- High input voltage (up to 20V)
- Quiescent current : 1.5 μ A
- Output voltage tolerance: \pm 2%

Applications

- Battery-Powered Equipment
- Ultra Low Power Microcontrollers
- Notebook Computers





Functional Pin Description

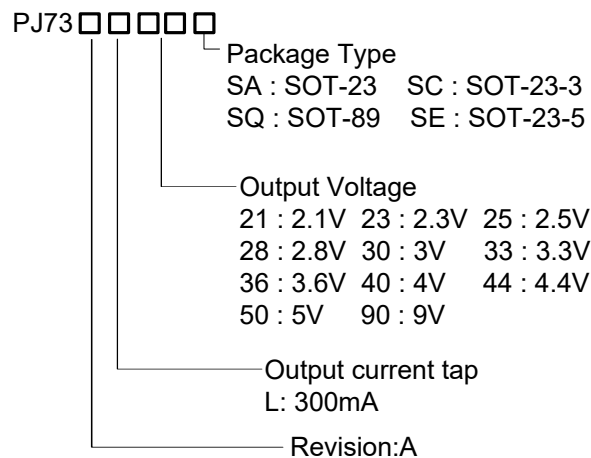
Pin Name	Pin Function
EN	Chip Enable (Active High). Note that this pin is high impedance
NC	NO Connected
GND	Ground
VOUT	Output Voltage
VIN	Power Input Voltage

Marking Code ^{Note}

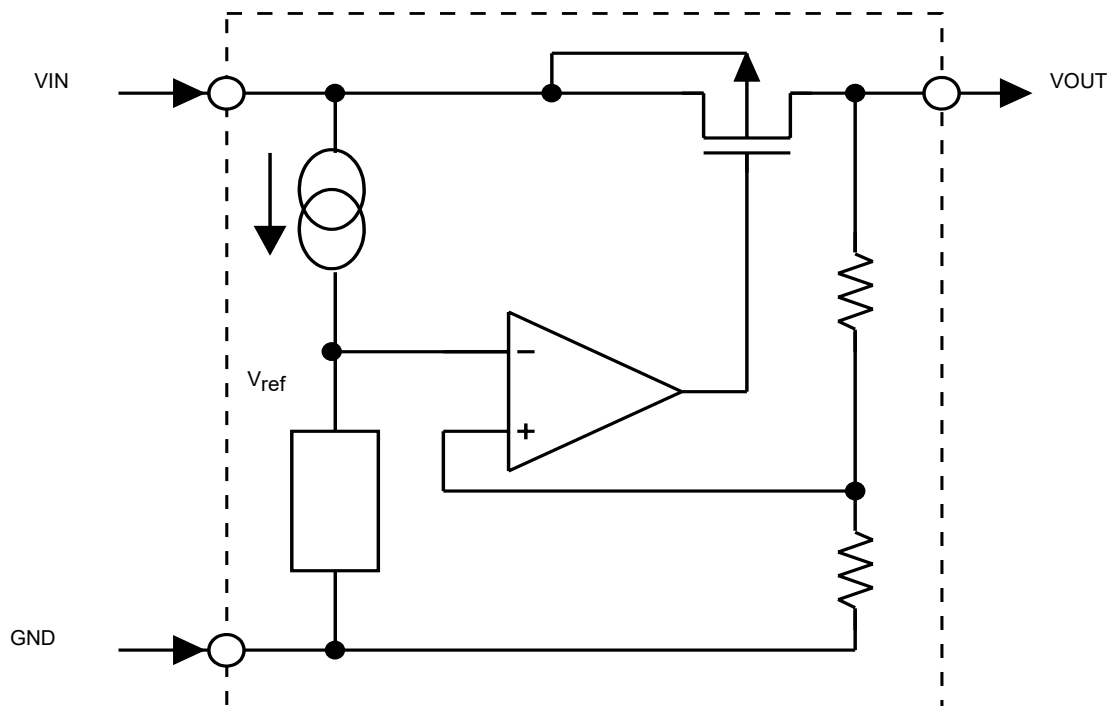
Output Voltage	Package	Marking Code
2.1V~9V	SOT-23	73XX
2.1V~9V	SOT-23-3	73XXC
2.1V~9V	SOT-23-5	73XXE
2.1V~9V	SOT-89	73XX

Note . XX : Output Voltage
e.g . 30:3.0V 33:3.3V

Ordering Information



Function Block Diagram



Absolute Maximum Ratings

Ratings at 25°C ambient temperature unless otherwise specified.

Parameter		Value	Unit
Supply Voltage		-0.3 ~ +22	V
Power Dissipation	SOT-23	180	mW
	SOT-23-3	200	mW
	SOT-23-5	200	mW
	SOT-89	500	mW
Thermal Resistance, Junction-to-Ambient	SOT-23	550	°C/W
	SOT-23-3	500	°C/W
	SOT-23-5	500	°C/W
	SOT-89	200	°C/W
Operating Ambient Temperature		-40 ~ +85	°C
Storage temperature range		-50 ~ +125	°C



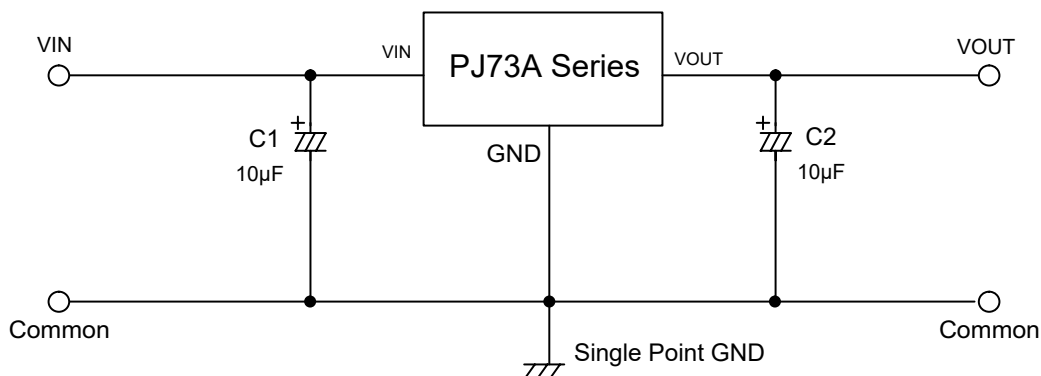
Electrical Characteristics

($V_{IN}=V_{OUT}+2$, $C_{IN}=10\mu F$, $C_{OUT}=10\mu F$, $T_A=25^\circ C$, unless otherwise noted.)

Parameter	Symbol	Test Conditions	Min.	Typ.	Max.	Unit
Input Voltage	V_{IN}		--	--	20	V
Output Voltage Accuracy	ΔV_{OUT}	$I_{OUT}=10mA$	-2	--	+2	%
Output Current	I_{OUT}		300	--	--	mA
Quiescent Current	I_Q	$I_{OUT}=0mA$	--	1.5	3	μA
Dropout Voltage ^{Note1}	V_{DROP}	$2.1V \leq V_{OUT} < 2.3V$, $I_{OUT}=10mA$	--	45	55	mV
		$2.3V \leq V_{OUT} < 2.5V$, $I_{OUT}=10mA$	--	40	55	
		$2.5V \leq V_{OUT} < 2.8V$, $I_{OUT}=10mA$	--	35	55	
		$2.8V \leq V_{OUT} < 3.0V$, $I_{OUT}=10mA$	--	30	55	
Dropout Voltage ^{Note1}	V_{DROP}	$3.0V \leq V_{OUT} < 3.3V$, $I_{OUT}=100mA$	--	210	300	mV
		$3.3V \leq V_{OUT} < 3.6V$, $I_{OUT}=100mA$	--	195	300	
		$3.6V \leq V_{OUT} < 4.0V$, $I_{OUT}=100mA$	--	180	300	
		$4.0V \leq V_{OUT} < 4.4V$, $I_{OUT}=100mA$	--	170	300	
		$4.4V \leq V_{OUT} < 5.0V$, $I_{OUT}=100mA$	--	160	300	
		$5.0V \leq V_{OUT} < 9.0V$, $I_{OUT}=100mA$	--	150	300	
		$9.0V \leq V_{OUT}$, $I_{OUT}=100mA$	--	130	300	
Line Regulation	ΔV_{LINE}	$V_{IN}=V_{OUT}+2$ to 20V, $I_{OUT}=1mA$	--	--	0.2	%/V
Load Regulation	ΔV_{LOAD}	$1mA < I_{OUT} < 300mA$	--	37	100	mV
Short circuit current	I_{SHORT}	$V_{OUT}=0V$	--	250	--	mA
Current Limit	I_{Limit}	$V_{IN}=V_{OUT}+2V$, $I_{OUT}=1mA$	--	530	--	mA
Power Supply Rejection Rate	PSRR	$I_{OUT}=100mA$	--	54	--	dB
Thermal Shutdown Temperature	$\Delta V_{OUT}/V_{OUT} \times \Delta T_A$	$V_{IN}=V_{OUT}+2V$, $I_{OUT}=10mA$ $-40^\circ C \leq T_A \leq 85^\circ C$	--	100	--	$^\circ C$

Note 1. The dropout voltage is defined as $V_{IN} - V_{OUT}$, when V_{OUT} is 98% of the normal value of V_{OUT} .

Typical Application Circuit





Applications Information

Input Capacitor

A 1 μ F ceramic capacitor is recommended to connect between VIN and GND pins to decouple input power supply glitch and noise. The amount of the capacitance may be increased without limit. This input capacitor must be located as close as possible to the device to assure input stability and less noise. For PCB layout, a wide copper trace is required for both VIN and GND.

Output Capacitor

An output capacitor is required for the stability of the LDO. The recommended minimum output capacitance is 1 μ F, ceramic capacitor is recommended, and temperature characteristics are X7R or X5R. Higher capacitance values help to improve load/line transient response. The output capacitance may be increased to keep low undershoot/overshoot. Place output capacitor as close as possible to V_{OUT} and GND pins.

Thermal Considerations

For continuous operation, do not exceed absolute maximum junction temperature. The maximum power dissipation depends on the thermal resistance of the IC package, PCB layout, rate of surrounding airflow, and difference between junction and ambient temperature. The maximum power dissipation can be calculated by the following formula :

$$P_{D(MAX)} = (T_{J(MAX)} - T_A) / R_{\theta JA}$$

Where T_{J(MAX)} is the maximum operation junction temperature 125 °C, T_A is the ambient temperature and the R _{θ JA} is the junction to ambient thermal resistance.

The power dissipation definition in device is:

$$P_D = (V_{IN} - V_{OUT}) \times I_{OUT} + V_{IN} \times I_Q$$

Layout Consideration

By placing input and output capacitors on the same side of the PCB as the LDO, and placing them as close as is practical to the package can achieve the best performance. The ground connections for input and output capacitors must be back to the PJ73A Series ground pin using as wide and as short of a copper trace as is practical. Connections using long trace lengths, narrow trace widths, and connections through via must be avoided. These add parasitic inductances and resistance that results in worse performance especially during transient conditions.

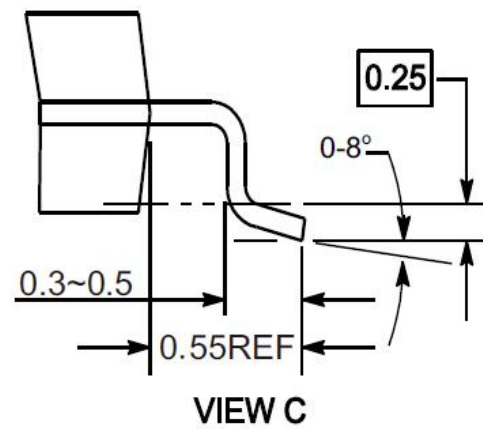
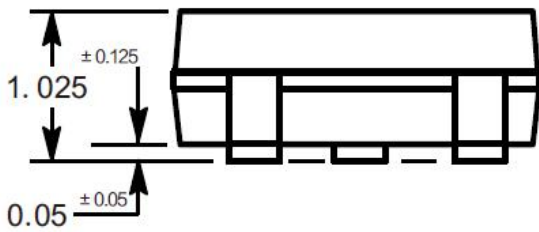
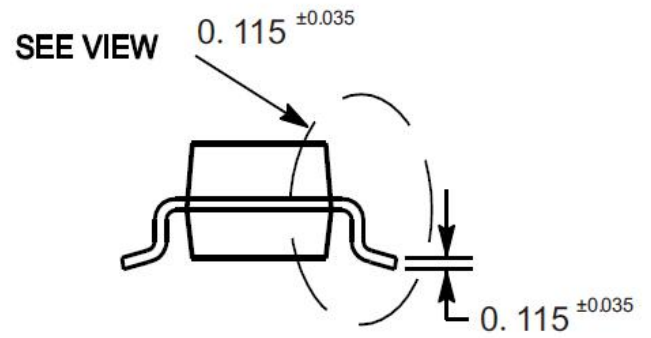
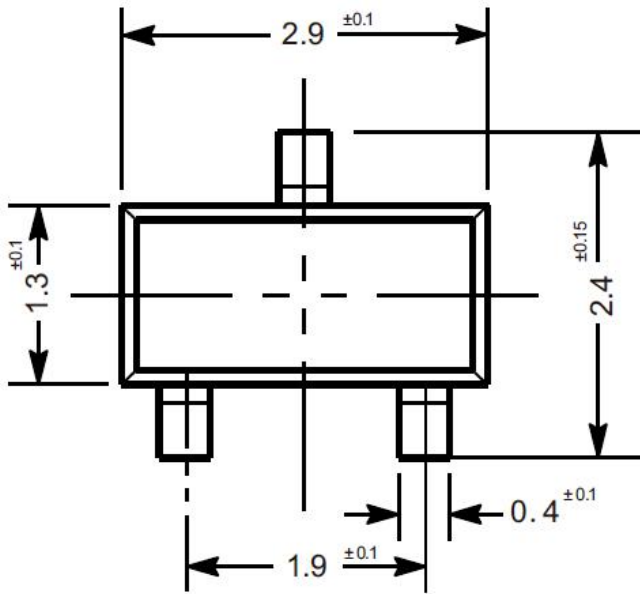


PJ73A Series Low Dropout Regulators

Package Outline

SOT-23

Dimensions in mm



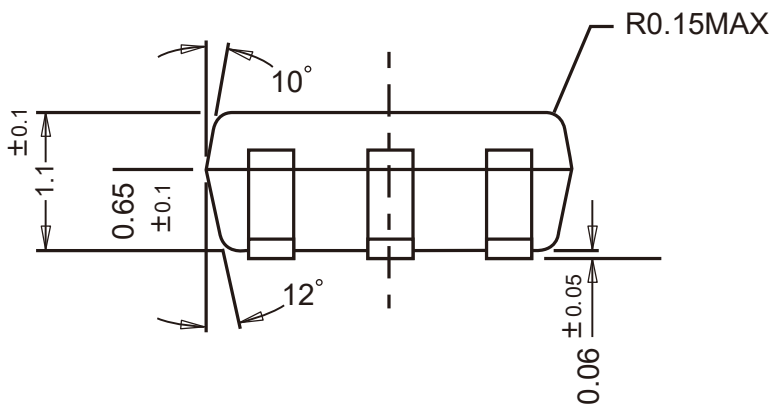
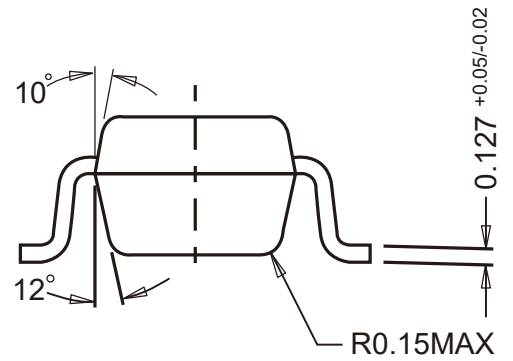
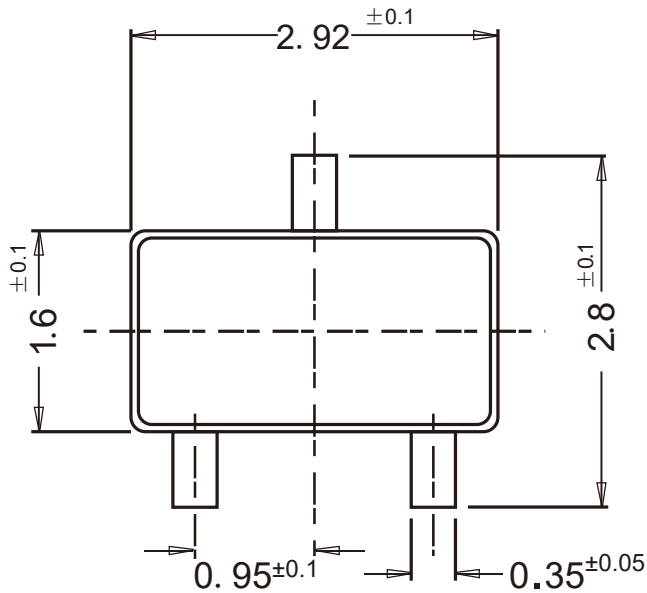
Ordering Information

Device	Package	Shipping
PJ73A Series	SOT-23	3,000PCS/Reel&7inches

Package Outline

SOT-23-3

Dimensions in mm



Ordering Information

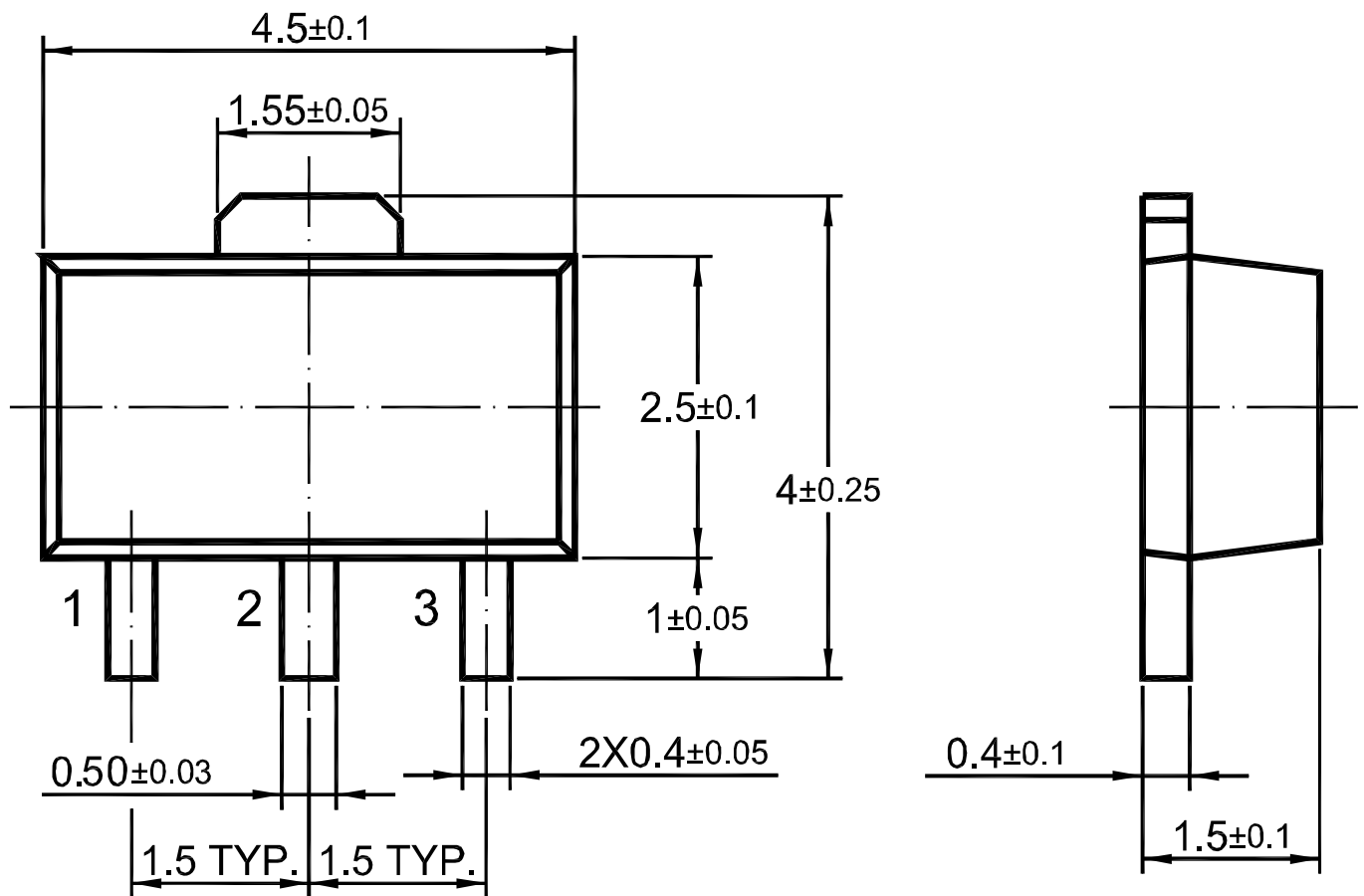
Device	Package	Shipping
PJ73A Series	SOT-23-3	3,000PCS/Reel&7inches



Package Outline

SOT-89

Dimensions in mm



Ordering Information

Device	Package	Shipping
PJ73A Series	SOT-89	1,000PCS/Reel&7inches
		3,000PCS/Reel&13inches

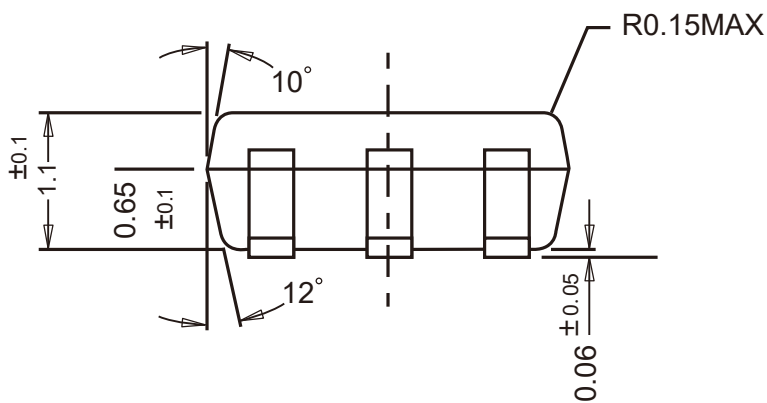
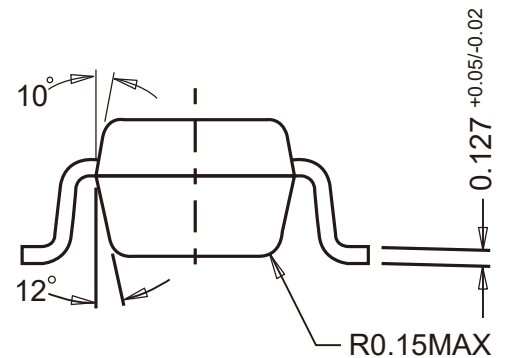
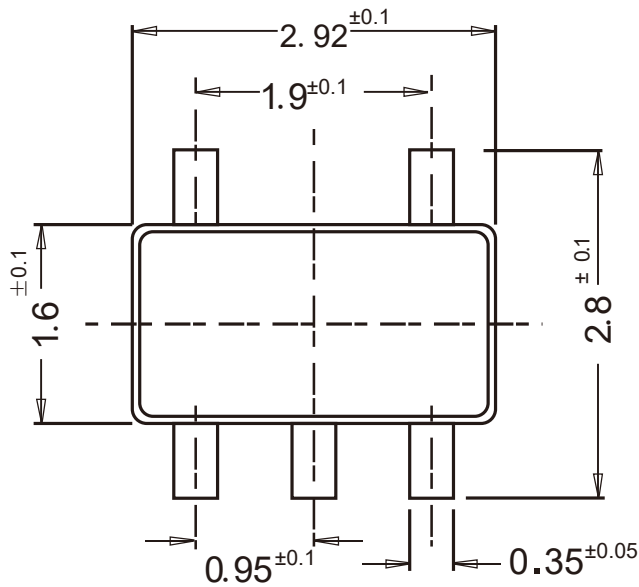


PJ73A Series Low Dropout Regulators

Package Outline

SOT-23-5

Dimensions in mm



Ordering Information

Device	Package	Shipping
PJ73A Series	SOT-23-5	3,000PCS/Reel&7inches