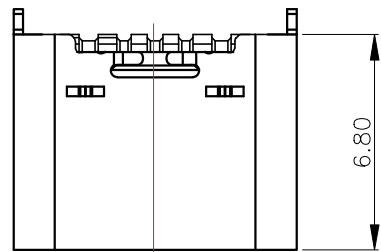
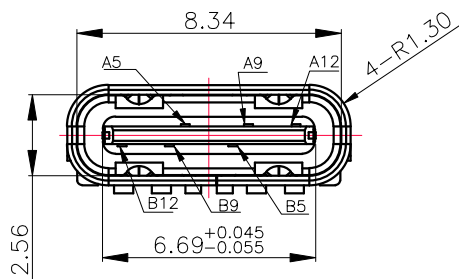
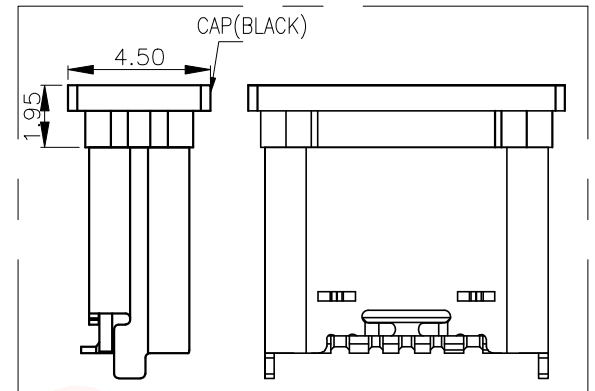
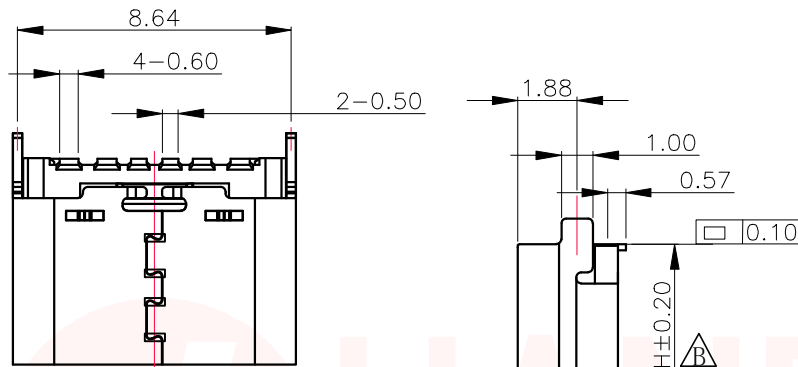




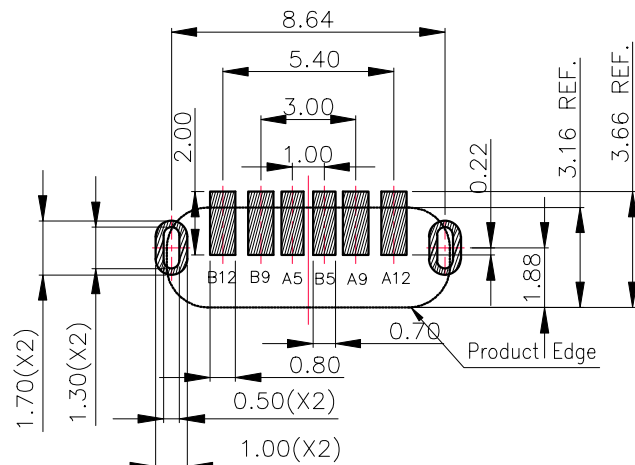
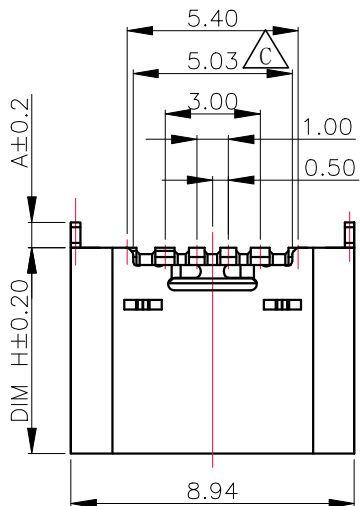
REV.	ECN NO OR DESCRIPTION	REVISED	DATE



H=6.80



A5	CC1	B5	CC2
A9	VBUS	B9	VBUS
A12	GND	B12	GND
PIN	SIGNAL NAME	PIN	SIGNAL NAME



Recommend PCB Layout  
(Tol:±0.05,T=1.0±0.05mm)

**SPECIFICATION:**

- Material:  
HOUSING&MOLDING:LCP, UL94 V-0  
CONTACTS:C5191R-H  
SHELL:SUS, T=0.30
- Mechanical:  
2.1. Mating force:5~20Nf Max. ;  
2.2. Unmating force:6~20Nf Min. ;  
2.3. Durability:3000 Cycles;
- Electrical:  
3.1. Current Rating:3A Max. ;  
3.2. Voltage Rating:20V Max. ;  
3.3. Dielectric Withstanding voltage:100VAc;  
3.4. Contact resistance:40m Ohms Max. ;  
3.5. Insulation Resistance:100M Ohms Min. ;
- Environmental:  
4.1. Operating temperature:-40° C~+85° C;  
4.2. Wetting Temperature:265±5° C, 5±0.5s

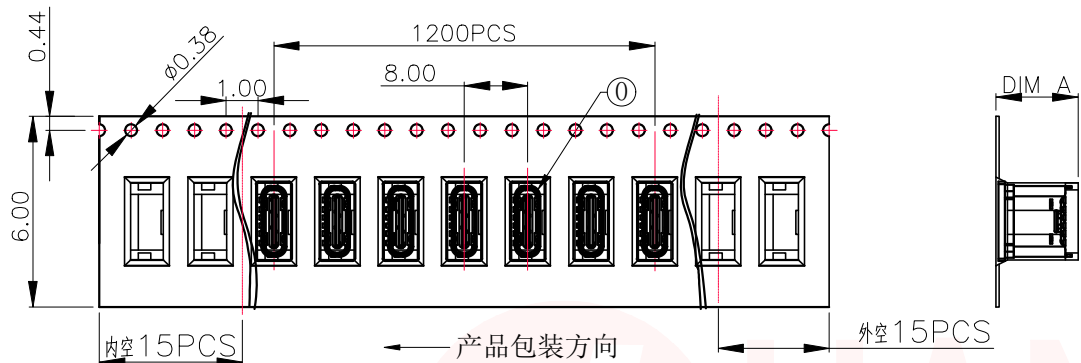
UNLESS OTHERWISE SPECIFIED TOLERANCES  
DECIMALS: X±0.50  
.X±0.35  
.XX±0.25  
.XXX±0.15

东莞市汉博电子科技有限公司  
DONGGUAN HANBO TECHNOLOGY CO., LTD

TITLE	USB TYPE C 6PIN SMT 立贴		
DWN	xiong	PART NO.	MC-306LS
CHKD	lee	SCALE:1:1	UNIT: mm
APVD	wang	SIZE: A4	SHEET:10F 1
REV: A4			
CUSTOMER COPY			

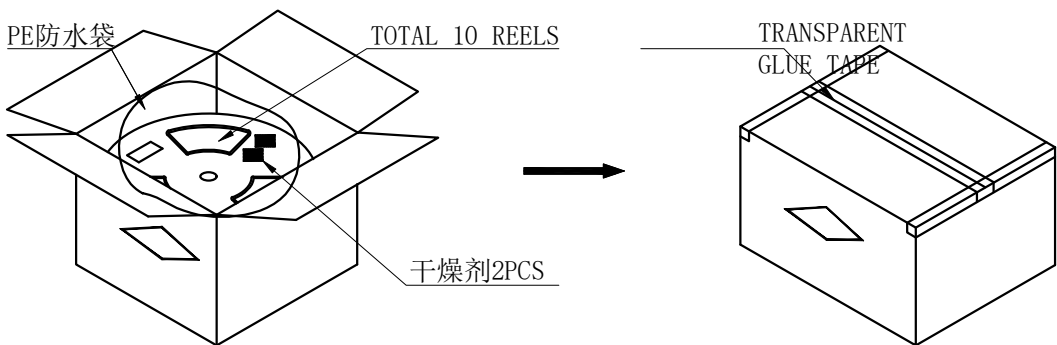
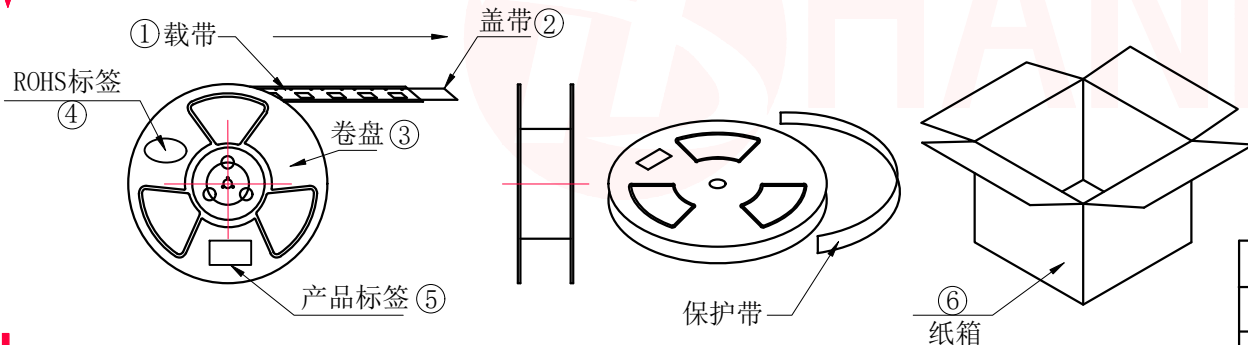


REV.	ECN NO OR DESCRIPTION	REVISED	DATE



**说明:**

1. 每卷前后各空15PCS, 尾部用美纹胶纸封住;
2. 将产品放满盘后, 再卷一圈保护带, 用美纹胶纸将其封住, 并贴上1Pcs物料标签;
3. 每10卷盘一叠共12000Pcs装入1个外箱内;
4. 在搬运过程中要轻拿轻放;
5. 在运输中不可堆放过多(1.8M最高), 不可重压;
6. 跌落测试条件:  
成品箱从1.2米高度自由落体(一角三棱六面):  
a. 产品不可跑出下带凹槽;  
b. 产品不可有摔伤, 变形;  
c. 内包装材料不可严重破损.



NO.	NAME	SPEC	Q' TY
①	TYPE C 6P母座成品		12000PCS/箱
②	载带	W=24mm, T=0.40mm	1200PCS/盘
③	盖带	W=21.3mm	
④	卷盘	380*100*24.4mm	10PCS/箱
⑤	ROHS标签		10PCS/箱
⑥	产品标签		10PCS/箱
⑦	纸箱	390*390*310mm	12000PCS/箱

UNLESS OTHERWISE SPECIFIED TOLERANCES



东莞市汉博电子科技有限公司  
DONGGUAN HANBO TECHNOLOGY CO., LTD

DECIMALS: X±0.50  
.X±0.35  
.XX±0.25  
.XXX±0.15

ANGLES: X :±2°  
X.X :±1°

TITLE	USB TYPE C 6PIN SMT 立贴		
DWN	xiong	PART NO.	MC-306LS
CHKD	lee	SCALE:1:1	UNIT: mm
APVD	wang	SIZE: A4	SHEET:10F 1
			REV: A4

CUSTOMER COPY