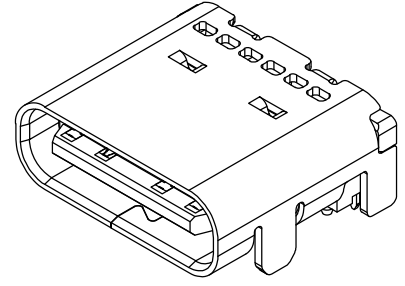
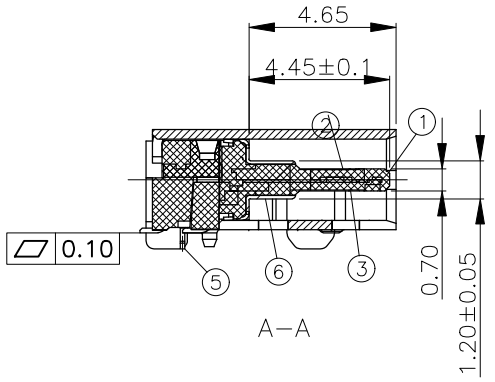
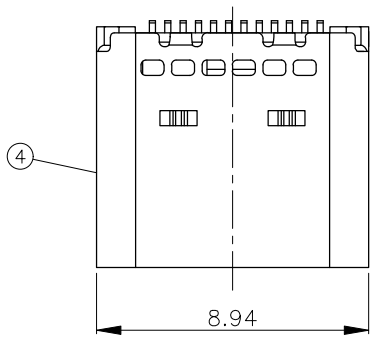




REV.	ECN NO OR DESCRIPTION	REVISED	DATE

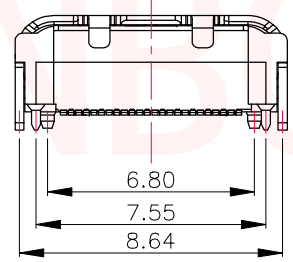
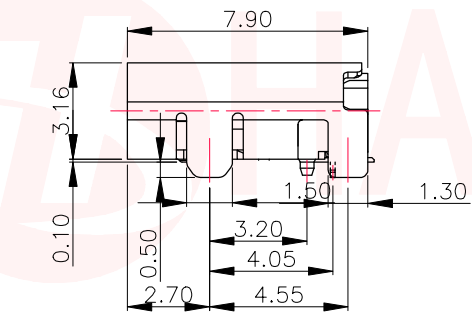
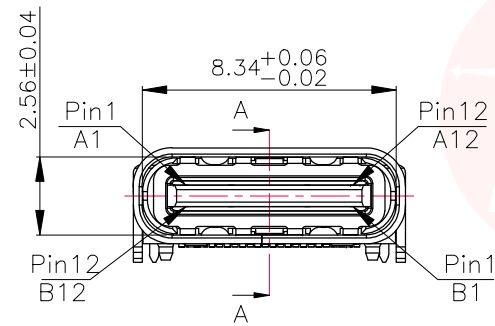


NOTES:

1.MECHANICAL PERFORMANCE,
 1-1.INSERTION FORCE: 5N~20N.
 1-2.REMOVAL FORCE: 5N~20N.
 1-3.DURABILITY: 10000 CYCLES.

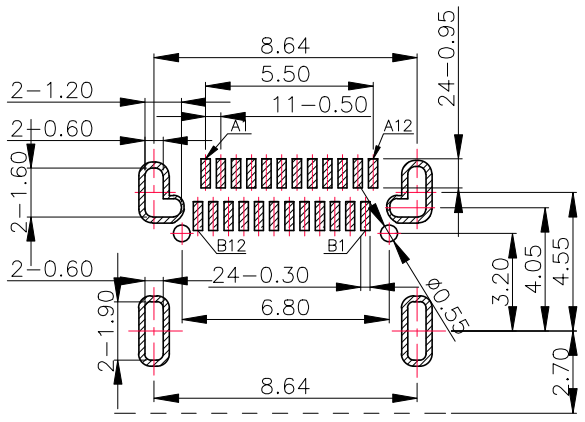
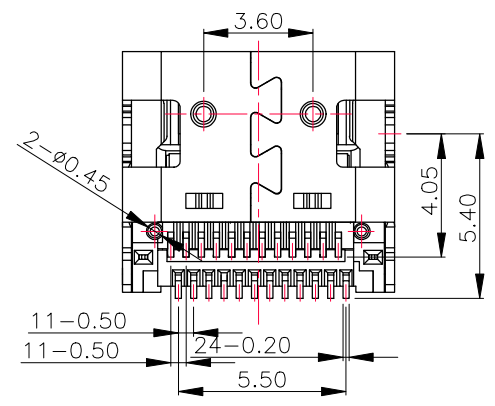
2.ELECTRICAL PERFORMANCE,
 2-1. CURRENT RATING: 5.0A
 VOLTAGE RATING: 5.0V
 2-2. LLCR:VBUS & GND PINS AND OTHER PINS: 40mΩ/PIN MAX.SHIELD: 50mΩ/MAX.
 2-3.INSULATION RESISTANCE: 100MΩ MIN
 2-4.DIELECTRIC WITHSTAND VOLTAGE,AC 100V FOR 1 MINUTE.

3.ENVIRONMENTAL PERFORMANCE:
 OPERATING TEMPERATURE: -25°C~+85°C.



PIN ASSIGNMENTS:

PIN No.	A1	A2	A3	A4	A5	A6	A7	A8	A9	A10	A11	A12
SIGNAL NAME	GND	TX1+	TX1-	Vbus	CC1	D+	D-	SBU1	Vbus	RX2-	RX2+	GND
PIN No.	B12	B11	B10	B9	B8	B7	B6	B5	B4	B3	B2	B1
SIGNAL NAME	GND	RX1+	RX1-	Vbus	SUB2	D-	D+	CC2	Vbus	TX2-	TX2+	GND



RECOMMENDED P.C.B. LAYOUT
 TOLERANCE UNSPECIFIED ±0.05mm

⑥	EMI PLATE	1 PCS	STAINLESS STEEL T=0.10	
⑤	MID PLATE	1 PCS	STAINLESS STEEL T=0.15	Soldering Plating: Sn
④	SHELL	1 PCS	STAINLESS STEEL T=0.3	Ni
③	TERMINAL 2(12Pin)	1SET	COPPER ALLOY T=0.15	Under Plating: Ni Contact Plating: Au
②	TERMINAL 1(12Pin)	1SET	COPPER ALLOY T=0.15	Soldering Plating: Au
①	HOUSING	1 PCS	HIGH TEMP.THERMOPLASTIC UL94V-0	BLACK
NO.	PART NAME	QTY.	MATERIAL	REMARK

UNLESS OTHERWISE SPECIFIED TOLERANCES

DECIMALS: X. :±0.20 X.X :±0.15 X.XX :±0.10

ANGLES: X° :±2° X.X° :±1°

TITLE: USB TYPE C 24PIN 双排SMT母座(有柱) EMI拉伸款

DWN xiong MC-221D

CHKD lee SCALE:1:1 UNIT: mm

APVD wang SIZE: A4 SHEET:10F 1 REV: A4

CUSTOMER COPY

东莞市汉博电子科技有限公司
 DONGGUAN HANBO TECHNOLOGY CO., LTD