

REFERENCE DRAWING



## GT-TCA84X-HXXX-LX

G-SWITCH

**Operating Force**

- A=160gf
- B=250gf
- C=100gf
- E=130gf

**Switch Height (mm)**

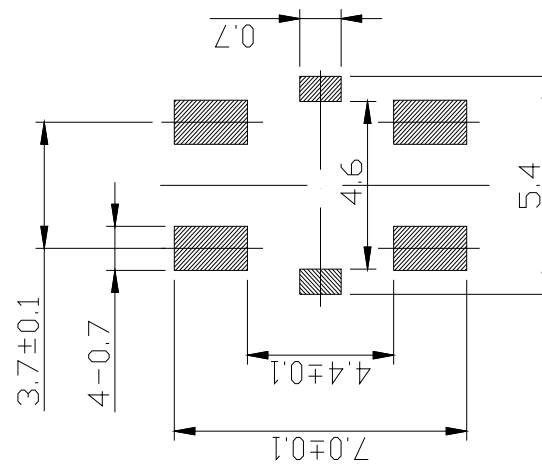
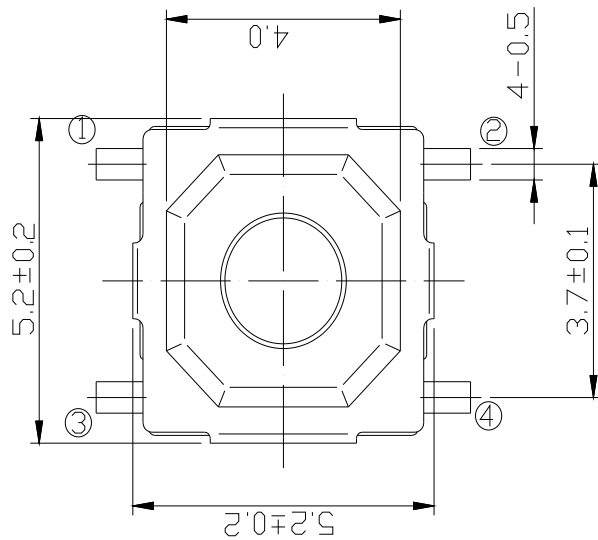
- H015=1.5 H016=1.6
- H017=1.7 H020=2.0
- H025=2.5 H030=3.0
- H035=3.5 H040=4.0
- H045=4.5 H050=5.0

**Switch lifetime (Force)**

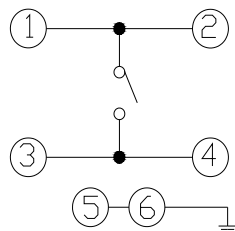
- L1=100,000 Cycles
- L3=300,000 Cycles
- L5=500,000 Cycles
- L10=1,000,000 Cycles

**G-Switch Specification:**

Operating temperature range -30 to+85  
 Rating 50mA.12V DC  
 Insulation resistance: 100MΩ min.100V DC  
 Dielectric strength 250V AC for 1 min  
 Contact resistance: 100m Ω max.  
 Travel:0.25±0.1mm



P.C.B LAND DIMENSION



CIRCUIT DIAGRAM



G-Switch Electronic (HongKong) CO.,Ltd

Unless otherwise specified, Tolerance:  
 X. ±0.30  
 X.x ±0.20  
 X.xx ±0.15  
 X.xxx ±0.10  
 Angles ±3°

DESIGN 陈锋枫 DATE 2019.05.29  
 CHECKED DATE  
 APPROVED DATE  
<http://www.dg-switch.com>  
 TEL:0769-82388879

Molde code:  
 GT-TCA84X-HXXX-LX  
 REV.: X1 SCALE: 4:1 UNIT: mm  
 SIZE: A4 SHEET: 1/1