

MDA Series
SMD Low Profile High Current Molded Inductor
Size 5030



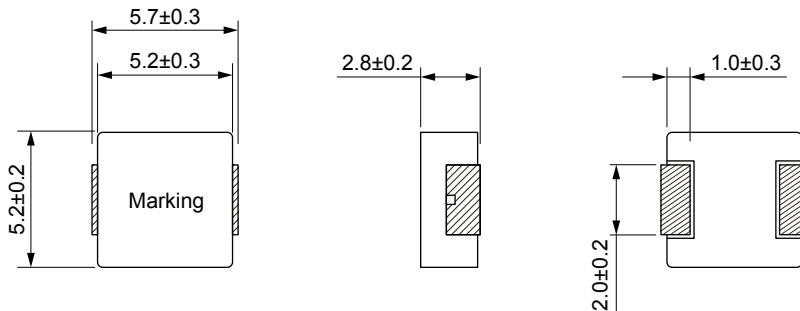
FEATURES

- Shielded construction
- Capable of corresponding high frequency .
- Low loss realized with low DCR.
- High performance (Isat) realized by metal dust core.
- Ultra low buzz noise, due to composite construction.
- 100% Lead(Pb)-Free and RoHS compliant.
- High reliability -Reliability test complied to AEC-Q200
- Operating temperature: -55 to +155 °C (including self-temperature rise)
- Quantity: 2000PCS

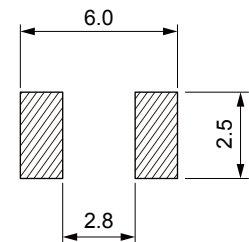
APPLICATION

- Headlamps, tail lamps and interior lighting
- HVAC
- Doors, window lift and seat control
- Audio subsystem
- Digital instrument cluster
- In-Vehicle Infotainment and navigation

Dimensions: [mm]



Land Pattern: [mm]



Electrical Properties:

| Part No | Inductance @ 100KHz/1V (μH) | Tolerance | Temperature Rise Current Typ. (A) | Saturation Current Typ. (A) | DC Resistance Typ. (mΩ) | DC Resistance Max. (mΩ) |
|--------------|-----------------------------|-----------|-----------------------------------|-----------------------------|-------------------------|-------------------------|
| MDA5030-R47M | 0.47 | ±20% | 13.5 | 10.0 | 5.20 | 6.00 |
| MDA5030-R68M | 0.68 | ±20% | 12.5 | 9.0 | 7.40 | 8.50 |
| MDA5030-R82M | 0.82 | ±20% | 10.0 | 8.8 | 8.00 | 9.20 |
| MDA5030-1R0M | 1.00 | ±20% | 9.0 | 8.5 | 10.5 | 12.0 |
| MDA5030-1R5M | 1.50 | ±20% | 8.0 | 7.5 | 13.6 | 15.7 |
| MDA5030-2R2M | 2.20 | ±20% | 7.0 | 6.5 | 21.6 | 25.0 |
| MDA5030-3R3M | 3.30 | ±20% | 6.3 | 6.0 | 28.0 | 33.0 |
| MDA5030-4R7M | 4.70 | ±20% | 5.5 | 5.3 | 38.0 | 44.0 |
| MDA5030-5R6M | 5.60 | ±20% | 5.0 | 4.6 | 50.0 | 58.0 |
| MDA5030-6R8M | 6.80 | ±20% | 4.3 | 3.5 | 57.0 | 66.0 |
| MDA5030-100M | 10.0 | ±20% | 3.8 | 2.5 | 88.0 | 103 |

Saturation Current will cause L to drop approximately 30%

Temperature Rise Current: The actual value of DC current when the temperature rise is $\Delta T=40^{\circ}C$

Typical Electrical Characteristics:

