

REV.	ECN NO.	APPD	DATE
AO	RELEASE	Cheng	10/28/08

NOTES:

1. MATERIALS:

- 1-1. INSULATOR: Polyester UL94V-0.
- 1-2. CONTACT: BRASS.
- 1-3. PLATED: CONTACT GOLD PLATED OVER Ni.

2. ELECTRICAL CHARACTERISTICS:

- 2-1. CURRENT RATING: 3 Amp.
- 2-2. VOLTAGE RATING: 250V AC/DC.
- 2-3. CONTACT RESISTANCE: 20 mOhms MAX.
- 2-4. INSULATION RESISTANCE: 1000 MOhms MIN.
- 2-5. WITHSTANDING VOLTAGE: 500V AC/MINUTE.
- 2-6. Operation Temperature: -25° C~+105° C.

Part NO.

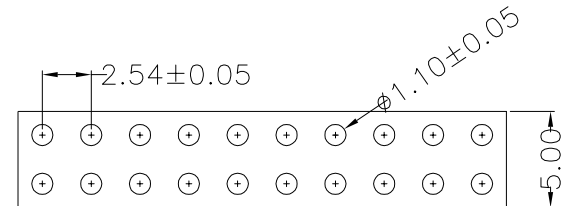
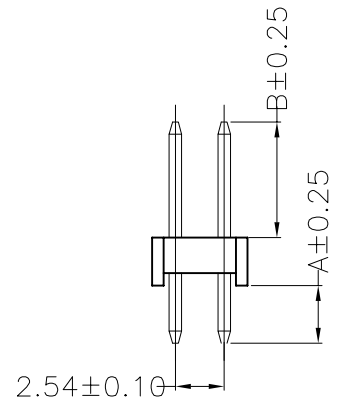
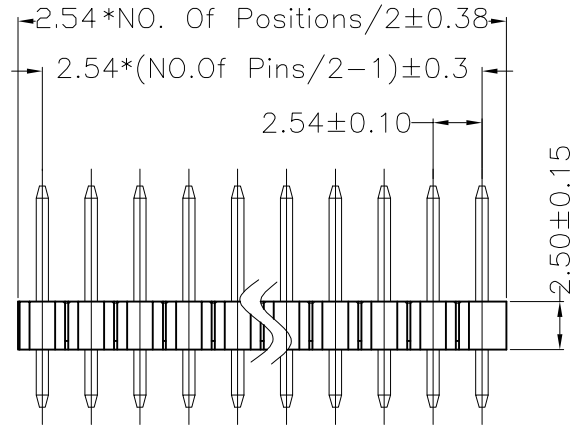
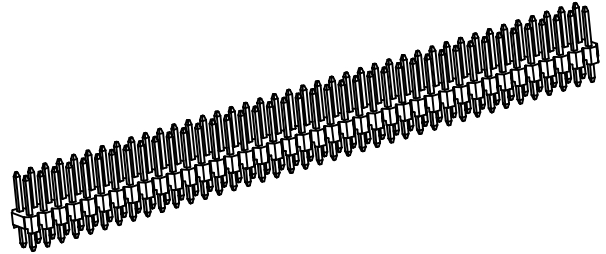
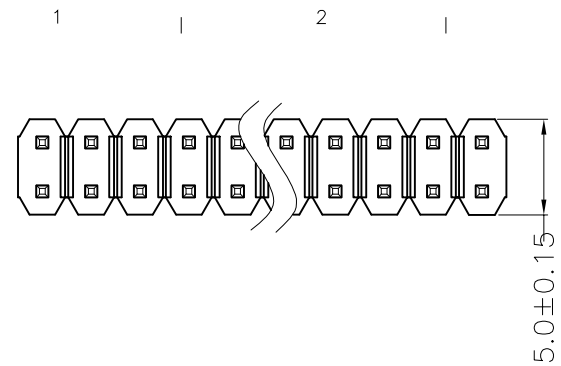
R-213- **1* -002* - **0

NO. Of Positions 04~80
 Contact length
 Dim "A" X "B"
 1: 3.0x6.0
 2: 2.4x6.0
 3: 4.5x6.0
 5: 2.54x5.84
 7: 3.2x5.84
 8: 3.0x10.0
 C: 3.0x4.5
 E: 6.0x6.0

Housing Color
 0: BLACK 2: RED
 4: YELLOW 6: BLUE

Housing Material
 0: PBT 1: LCP
 4: PA 6T 5: PA 9T

Plated
 See Table (1)



PCB LAYOUT

Table (1)

Code	Definition
1	Gold/Flash
2	Gold 3u"
3	Gold 5u"
4	Gold 10u"
5	Gold 15u"
6	Gold 30u"

X ±0.5	UNITS	NAME:	SHENZHEN SHENLONGFENG INDUSTRY CO.,LTD SHENZHEN JUNHAO ENGINEERING CO.,LTD
.X ±0.38	mm	2.54mm Pin Header Double Row	
.XX ±0.25	MAT'L	PART NO.:	TITLE:
.XXX ±0.08	FINISH	SEE TABLE	2.54mm Pin Header Doble Row Straight Pin
.X" ±2"		APPD: minniehsu 10/28/08	DWG NO.: 213-8011-0021-001
THESE DRAWINGS AND SPECIFICATIONS ARE THE PROPERTY OF JUNHAO ENGINEERING CO.,LTD. AND SHALL NOT BE REPRODUCED COPIED OR USED IN ANY MANNER WITHOUT THE PRIOR WRITTEN CONSENT OF JUN HAO ENGINEERING CO.,LTD.			REV.
CHKD: jeff 10/28/08			SCALE
DR: cheng 10/28/08			SHEET
			REV.
			1:1
			1/1
			AO