

| | | | |
|------|---------|-------|----------|
| REV. | ECN NO. | APPD | DATE |
| AO | RELEASE | Cheng | 10/28/08 |
| | | | |
| | | | |

NOTES:

1. MATERIALS:

- 1-1. INSULATOR: Polyester UL94V-0.
- 1-2. CONTACT: BRASS.
- 1-3. PLATED: CONTACT GOLD PLATED OVER Ni.

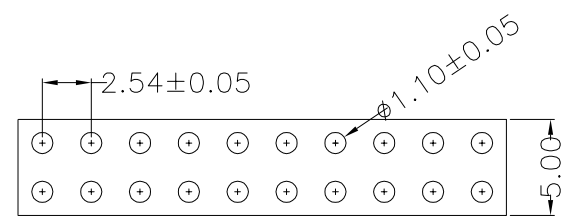
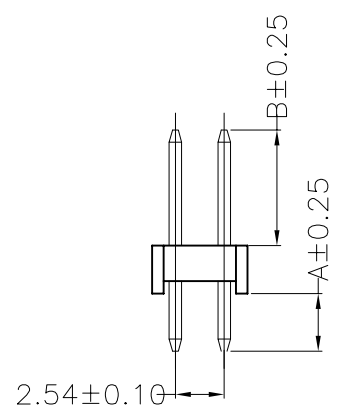
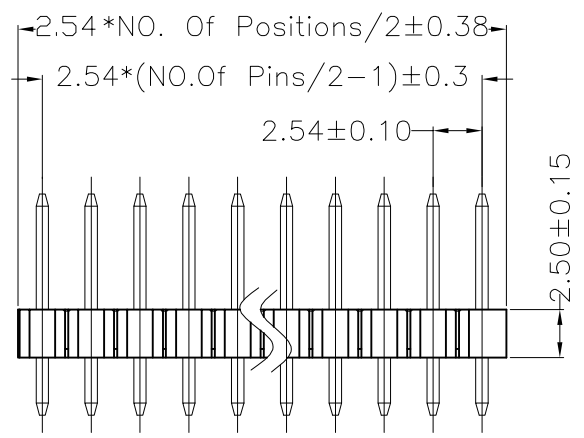
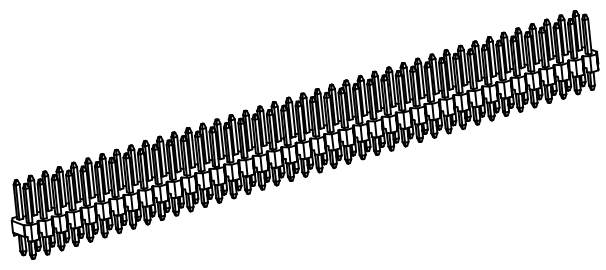
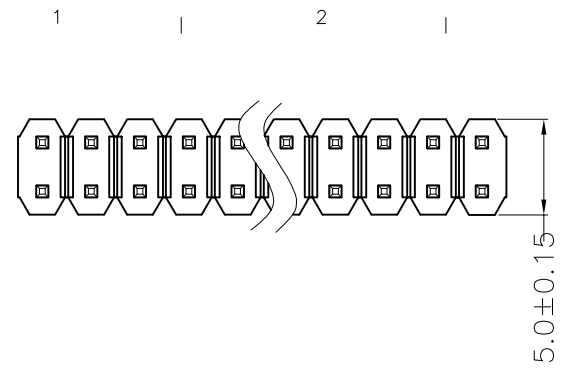
2. ELECTRICAL CHARACTERISTICS:

- 2-1. CURRENT RATING: 3 Amp.
- 2-2. VOLTAGE RATING: 250V AC/DC.
- 2-3. CONTACT RESISTANCE: 20 mOhms MAX.
- 2-4. INSULATION RESISTANCE: 1000 MOhms MIN.
- 2-5. WITHSTANDING VOLTAGE: 500V AC/MINUTE.
- 2-6. Operation Temperature: -25° C~+105° C.

Part NO.

R-213- **1* -002* - **0

| | | | |
|------------------|-------------|------------------|----------------------------------|
| NO. Of Positions | 04~80 | Housing Color | 0:BLACK 2:RED 4:YELLOW 6:BLUE |
| Contact length | Dim"A"X"B" | Housing Material | 0:PBT 1:LCP 4:PA 6T 5:PA 9T |
| | 1:3.0x6.0 | Plated | |
| | 2:2.4x6.0 | See Table (1) | |
| | 3:4.5x6.0 | | |
| | 5:2.54x5.84 | | |
| | 7:3.2x5.84 | | |
| | 8:3.0x10.0 | | |
| | C:3.0x4.5 | | |
| | E:6.0x6.0 | | |



PCB LAYOUT

Table (1)

| Code | Definition |
|------|------------|
| 1 | Gold/Flash |
| 2 | Gold 3u" |
| 3 | Gold 5u" |
| 4 | Gold 10u" |
| 5 | Gold 15u" |
| 6 | Gold 30u" |

| | | | |
|------------|--------|------------------------------|---|
| X ±0.5 | UNITS | NAME: | SHENZHEN SHENLONGFENG INDUSTRY CO.,LTD SHENZHEN JUNHAO ENGINEERING CO.,LTD |
| .X ±0.38 | mm | 2.54mm Pin Header Double Row | |
| .XX ±0.25 | MAT'L | PART NO.: | TITLE: |
| .XXX ±0.08 | FINISH | SEE TABLE | 2.54mm Pin Header Doble Row Straight Pin |
| .X° ±2° | | APPD: minniehsu | DWG NO.: |
| | | CHKD: jeff | 211-4011-0021-001 |
| | | DR: cheng | SCALE |
| | | | SHEET |
| | | | REV. |
| | | | 1:1 |
| | | | 1/1 |
| | | | AO |

