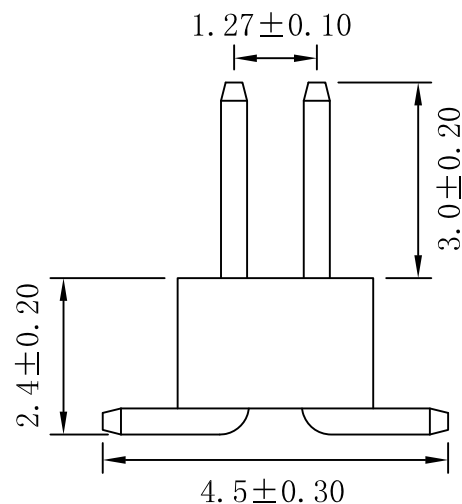
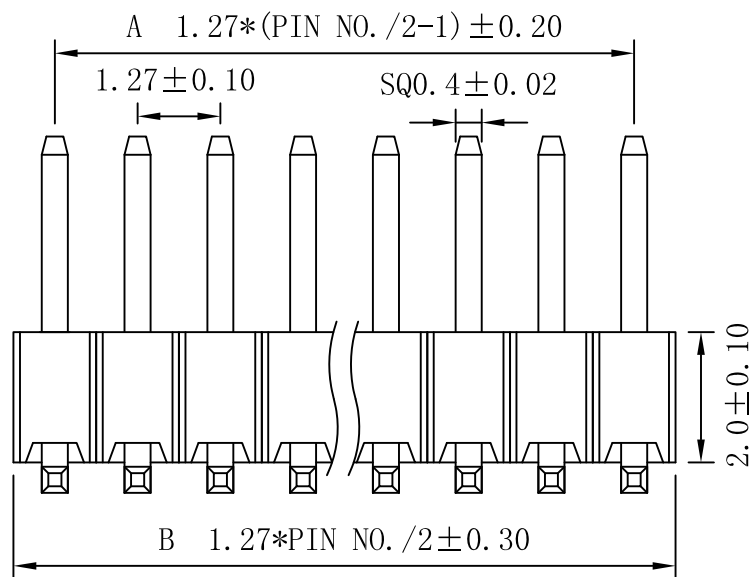
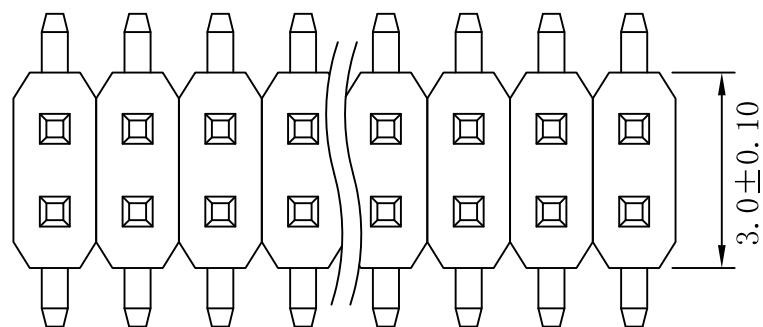


环保物料

TEL:0769-82001899

SPECIFICATION

Current Rating :1AMP
 Insulator resistance :1000 MΩ min.
 Dielectric Withstanding:AC 500V
 Operation Temperature :-40℃ to +105℃
 Contact Material :Brass
 Insulator Material :PA9T
 Plating :Gold Flash All Over Nickel



PIN NO.	DIMENSION	
	A	B
2*2	1.27	2.54
2*3	2.54	3.81
2*4	3.81	5.08
2*5	5.08	6.35
2*6	6.35	7.62
2*7	7.62	8.89
⋮	⋮	⋮
2*50	62.23	63.5

AO	MODIFICATION	DRAW	DATE
VER			

TOLERANCE UNLESS OTHERWISE		DRAWN	CK tan
X.	±0.30	X°	±5°
.X	±0.20	.X°	±2°
.XX	±0.08	.XX°	±1°
.XXX	±0.03	.XXX°	±0.5°
VIEW		⊕	⊲

XFCN 兴飞连接器有限公司
 XFCN CONNECTORS CO.,LTD.
 PRODUCT NAME: 1.27mm Pin Header Connectors
 PART. NO.: PZ127VS-12-xx-H16-4.5-R

SHEET	1/1
DATE	2020.04.12
UNITS	mm
SCALE	1:1
DWG. NO.	009