

Positive Voltage Regulators

100 mA

MC78L00A Series, NCV78L00A

The MC78L00A Series of positive voltage regulators are inexpensive, easy-to-use devices suitable for a multitude of applications that require a regulated supply of up to 100 mA. Like their higher powered MC7800 and MC78M00 Series cousins, these regulators feature internal current limiting and thermal shutdown making them remarkably rugged. No external components are required with the MC78L00 devices in many applications.

These devices offer a substantial performance advantage over the traditional zener diode-resistor combination, as output impedance and quiescent current are substantially reduced.

Features

- Wide Range of Available, Fixed Output Voltages
- Low Cost
- Internal Short Circuit Current Limiting
- Internal Thermal Overload Protection
- No External Components Required
- Complementary Negative Regulators Offered (MC79L00A Series)
- NCV Prefix for Automotive and Other Applications Requiring Unique Site and Control Change Requirements; AEC-Q100 Qualified and PPAP Capable
- These are Pb-Free Devices

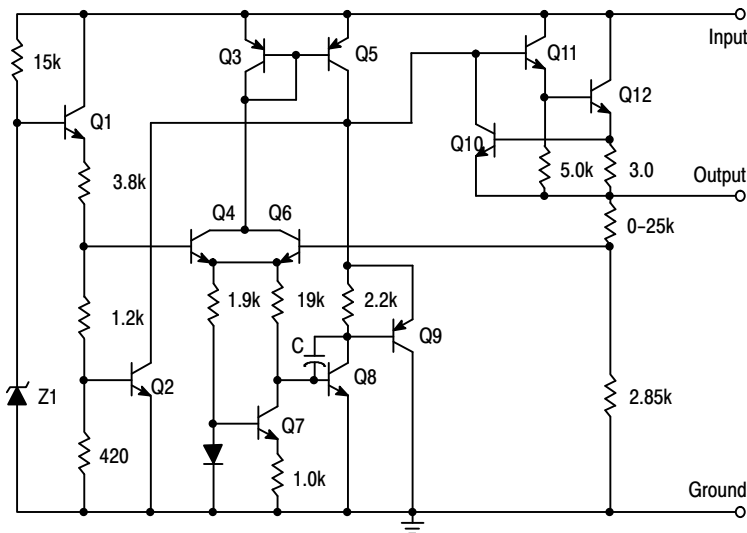
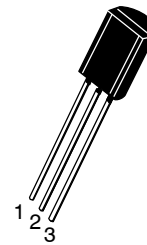


Figure 1. Representative Schematic Diagram



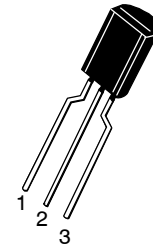
ON Semiconductor®

www.onsemi.com



STRAIGHT LEAD

TO-92
P SUFFIX
CASE 29-10



BENT LEAD

Pin: 1. Output
2. Ground
3. Input



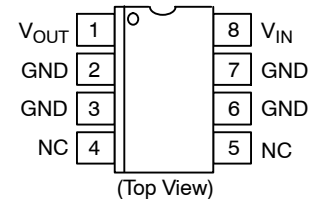
SOIC-8*
D SUFFIX
CASE 751



SOT-89
CASE 528AG

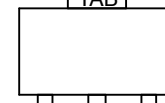
*SOIC-8 is an internally modified SO-8 package. Pins 2, 3, 6, and 7 are electrically common to the die attach flag. This internal lead frame modification decreases package thermal resistance and increases power dissipation capability when appropriately mounted on a printed circuit board. SOIC-8 conforms to all external dimensions of the standard SO-8 package.

PIN CONNECTIONS



(Top View)

(TAB)



(Top View)

ORDERING INFORMATION

See detailed ordering and shipping information in the package dimensions section on page 9 of this data sheet.

DEVICE MARKING INFORMATION

See general marking information in the device marking section on page 12 of this data sheet.

MC78L00A Series, NCV78L00A

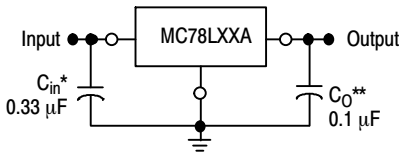


Figure 2. Standard Application

A common ground is required between the input and the output voltages. The input voltage must remain typically 2.0 V above the output voltage even during the low point on the input ripple voltage.

* C_{in} is required if regulator is located an appreciable distance from power supply filter.

** C_O is not needed for stability; however, it does improve transient response.

ABSOLUTE MAXIMUM RATINGS

| Rating | Symbol | Value | Unit |
|--|-------------|----------------|------|
| Input Voltage (5.0 V–9.0 V) (12 V–18 V) (24 V) | V_I | 30 35 40 | Vdc |
| Storage Temperature Range | T_{stg} | -65 to +150 | °C |
| Maximum Junction Temperature | T_J | 150 | °C |
| Moisture Sensitivity Level | MSL | 1 | – |
| ESD Capability, Human Body Model (Note 1) | ESD_{HBM} | 2000 | V |
| ESD Capability, Machine Model (Note 1) | ESD_{MM} | 200 | V |
| ESD Capability, Charged Device Model (Note 1) | ESD_{CDM} | 2000 | V |

Stresses exceeding those listed in the Maximum Ratings table may damage the device. If any of these limits are exceeded, device functionality should not be assumed, damage may occur and reliability may be affected.

- This device series incorporates ESD protection and is tested by the following methods:
ESD Human Body Model tested per AEC-Q100-002 (EIA/JESD22-A114)
ESD Machine Model tested per AEC-Q100-003 (EIA/JESD22-A115)
ESD Charged Device Model tested per EIA/JES D22/C101, Field Induced Charge Model.

THERMAL CHARACTERISTICS

| Rating | Symbol | Value | Unit |
|--|-----------------|--------------------|------|
| Package Dissipation | PD | Internally Limited | W |
| Thermal Characteristics, TO-92 Thermal Resistance, Junction-to-Ambient | $R_{\theta JA}$ | 200 | °C/W |
| Thermal Characteristics, SOIC8 Thermal Resistance, Junction-to-Ambient | $R_{\theta JA}$ | Refer to Figure 8 | °C/W |
| Thermal Characteristics, SOT-89 Thermal Resistance, Junction-to-Ambient | $R_{\theta JA}$ | 55 | °C/W |

- Thermal Resistance, Junction-to-Ambient depends on P.C.B. Copper area. See details in Figure 8.

Thermal Resistance, Junction-to-Case is not defined. SOIC 8 lead and TO-92 packages that do not have a heat sink like other packages may have. This is the reason that a θ_{JC} is never specified. A little heat transfer will occur through the package but since it is plastic, it is minimal. The majority of the heat that is transferred is through the leads where they connect to the circuit board.

MC78L00A Series, NCV78L00A

ELECTRICAL CHARACTERISTICS ($V_I = 10\text{ V}$, $I_O = 40\text{ mA}$, $C_I = 0.33\text{ }\mu\text{F}$, $C_O = 0.1\text{ }\mu\text{F}$, $-40^\circ\text{C} < T_J < +125^\circ\text{C}$ (for MC78LXXAB, NCV78L05A), $0^\circ\text{C} < T_J < +125^\circ\text{C}$ (for MC78LXXAC), unless otherwise noted.)

| Characteristics | Symbol | MC78L05AC, AB, NCV78L05A | | | Unit |
|---|----------------------------|--------------------------|-----------|--------------|---------------|
| | | Min | Typ | Max | |
| Output Voltage ($T_J = +25^\circ\text{C}$) | V_O | 4.8 | 5.0 | 5.2 | Vdc |
| Line Regulation ($T_J = +25^\circ\text{C}$, $I_O = 40\text{ mA}$) $7.0\text{ Vdc} \leq V_I \leq 20\text{ Vdc}$ $8.0\text{ Vdc} \leq V_I \leq 20\text{ Vdc}$ | Reg_{line} | – – | 55 45 | 150 100 | mV |
| Load Regulation ($T_J = +25^\circ\text{C}$, $1.0\text{ mA} \leq I_O \leq 100\text{ mA}$) ($T_J = +25^\circ\text{C}$, $1.0\text{ mA} \leq I_O \leq 40\text{ mA}$) | Reg_{load} | – – | 11 5.0 | 60 30 | mV |
| Output Voltage ($7.0\text{ Vdc} \leq V_I \leq 20\text{ Vdc}$, $1.0\text{ mA} \leq I_O \leq 40\text{ mA}$) ($V_I = 10\text{ V}$, $1.0\text{ mA} \leq I_O \leq 70\text{ mA}$) | V_O | 4.75 4.75 | – – | 5.25 5.25 | Vdc |
| Input Bias Current ($T_J = +25^\circ\text{C}$) ($T_J = +125^\circ\text{C}$) | I_{IB} | – – | 3.8 – | 6.0 5.5 | mA |
| Input Bias Current Change ($8.0\text{ Vdc} \leq V_I \leq 20\text{ Vdc}$) ($1.0\text{ mA} \leq I_O \leq 40\text{ mA}$) | ΔI_{IB} | – – | – – | 1.5 0.1 | mA |
| Output Noise Voltage ($T_A = +25^\circ\text{C}$, $10\text{ Hz} \leq f \leq 100\text{ kHz}$) | V_n | – | 40 | – | μV |
| Ripple Rejection ($I_O = 40\text{ mA}$, $f = 120\text{ Hz}$, $8.0\text{ Vdc} \leq V_I \leq 18\text{ V}$, $T_J = +25^\circ\text{C}$) | RR | 41 | 49 | – | dB |
| Dropout Voltage ($T_J = +25^\circ\text{C}$) | $V_I - V_O$ | – | 1.7 | – | Vdc |

NOTE: NCV78L05A: $T_{\text{low}} = -40^\circ\text{C}$, $T_{\text{high}} = +125^\circ\text{C}$. Guaranteed by design. NCV prefix is for automotive and other applications requiring site and change control.

ELECTRICAL CHARACTERISTICS ($V_I = 14\text{ V}$, $I_O = 40\text{ mA}$, $C_I = 0.33\text{ }\mu\text{F}$, $C_O = 0.1\text{ }\mu\text{F}$, $-40^\circ\text{C} < T_J < +125^\circ\text{C}$ (for MC78LXXAB), $0^\circ\text{C} < T_J < +125^\circ\text{C}$ (for MC78LXXAC), unless otherwise noted.)

| Characteristics | Symbol | MC78L08AC, AB | | | Unit |
|--|----------------------------|---------------|-----------|------------|---------------|
| | | Min | Typ | Max | |
| Output Voltage ($T_J = +25^\circ\text{C}$) | V_O | 7.7 | 8.0 | 8.3 | Vdc |
| Line Regulation ($T_J = +25^\circ\text{C}$, $I_O = 40\text{ mA}$) $10.5\text{ Vdc} \leq V_I \leq 23\text{ Vdc}$ $11\text{ Vdc} \leq V_I \leq 23\text{ Vdc}$ | Reg_{line} | – – | 20 12 | 175 125 | mV |
| Load Regulation ($T_J = +25^\circ\text{C}$, $1.0\text{ mA} \leq I_O \leq 100\text{ mA}$) ($T_J = +25^\circ\text{C}$, $1.0\text{ mA} \leq I_O \leq 40\text{ mA}$) | Reg_{load} | – – | 15 8.0 | 80 40 | mV |
| Output Voltage ($10.5\text{ Vdc} \leq V_I \leq 23\text{ Vdc}$, $1.0\text{ mA} \leq I_O \leq 40\text{ mA}$) ($V_I = 14\text{ V}$, $1.0\text{ mA} \leq I_O \leq 70\text{ mA}$) | V_O | 7.6 7.6 | – – | 8.4 8.4 | Vdc |
| Input Bias Current ($T_J = +25^\circ\text{C}$) ($T_J = +125^\circ\text{C}$) | I_{IB} | – – | 3.0 – | 6.0 5.5 | mA |
| Input Bias Current Change ($11\text{ Vdc} \leq V_I \leq 23\text{ Vdc}$) ($1.0\text{ mA} \leq I_O \leq 40\text{ mA}$) | ΔI_{IB} | – – | – – | 1.5 0.1 | mA |
| Output Noise Voltage ($T_A = +25^\circ\text{C}$, $10\text{ Hz} \leq f \leq 100\text{ kHz}$) | V_n | – | 60 | – | μV |
| Ripple Rejection ($I_O = 40\text{ mA}$, $f = 120\text{ Hz}$, $12\text{ V} \leq V_I \leq 23\text{ V}$, $T_J = +25^\circ\text{C}$) | RR | 37 | 57 | – | dB |
| Dropout Voltage ($T_J = +25^\circ\text{C}$) | $V_I - V_O$ | – | 1.7 | – | Vdc |

MC78L00A Series, NCV78L00A

ELECTRICAL CHARACTERISTICS ($V_I = 15\text{ V}$, $I_O = 40\text{ mA}$, $C_I = 0.33\text{ }\mu\text{F}$, $C_O = 0.1\text{ }\mu\text{F}$, $-40^\circ\text{C} < T_J < +125^\circ\text{C}$ (for MC78LXXAB), $0^\circ\text{C} < T_J < +125^\circ\text{C}$ (for MC78LXXAC), unless otherwise noted.)

| Characteristics | Symbol | MC78L09AC, AB | | | Unit |
|--|----------------------------|---------------|-----------|------------|---------------|
| | | Min | Typ | Max | |
| Output Voltage ($T_J = +25^\circ\text{C}$) | V_O | 8.6 | 9.0 | 9.4 | Vdc |
| Line Regulation ($T_J = +25^\circ\text{C}$, $I_O = 40\text{ mA}$) $11.5\text{ Vdc} \leq V_I \leq 24\text{ Vdc}$ $12\text{ Vdc} \leq V_I \leq 24\text{ Vdc}$ | Reg_{line} | – | 20 12 | 175 125 | mV |
| Load Regulation ($T_J = +25^\circ\text{C}$, $1.0\text{ mA} \leq I_O \leq 100\text{ mA}$) ($T_J = +25^\circ\text{C}$, $1.0\text{ mA} \leq I_O \leq 40\text{ mA}$) | Reg_{load} | – | 15 8.0 | 90 40 | mV |
| Output Voltage ($11.5\text{ Vdc} \leq V_I \leq 24\text{ Vdc}$, $1.0\text{ mA} \leq I_O \leq 40\text{ mA}$) ($V_I = 15\text{ V}$, $1.0\text{ mA} \leq I_O \leq 70\text{ mA}$) | V_O | 8.5 8.5 | – – | 9.5 9.5 | Vdc |
| Input Bias Current ($T_J = +25^\circ\text{C}$) ($T_J = +125^\circ\text{C}$) | I_{IB} | – – | 3.0 – | 6.0 5.5 | mA |
| Input Bias Current Change ($11\text{ Vdc} \leq V_I \leq 23\text{ Vdc}$) ($1.0\text{ mA} \leq I_O \leq 40\text{ mA}$) | ΔI_{IB} | – – | – – | 1.5 0.1 | mA |
| Output Noise Voltage ($T_A = +25^\circ\text{C}$, $10\text{ Hz} \leq f \leq 100\text{ kHz}$) | V_n | – | 60 | – | μV |
| Ripple Rejection ($I_O = 40\text{ mA}$, $f = 120\text{ Hz}$, $13\text{ V} \leq V_I \leq 24\text{ V}$, $T_J = +25^\circ\text{C}$) | RR | 37 | 57 | – | dB |
| Dropout Voltage ($T_J = +25^\circ\text{C}$) | $V_I - V_O$ | – | 1.7 | – | Vdc |

ELECTRICAL CHARACTERISTICS ($V_I = 19\text{ V}$, $I_O = 40\text{ mA}$, $C_I = 0.33\text{ }\mu\text{F}$, $C_O = 0.1\text{ }\mu\text{F}$, $-40^\circ\text{C} < T_J < +125^\circ\text{C}$ (for MC78LXXAB), $0^\circ\text{C} < T_J < +125^\circ\text{C}$ (for MC78LXXAC), unless otherwise noted.)

| Characteristics | Symbol | MC78L12AC, AB | | | Unit |
|--|----------------------------|---------------|------------|--------------|---------------|
| | | Min | Typ | Max | |
| Output Voltage ($T_J = +25^\circ\text{C}$) | V_O | 11.5 | 12 | 12.5 | Vdc |
| Line Regulation ($T_J = +25^\circ\text{C}$, $I_O = 40\text{ mA}$) $14.5\text{ Vdc} \leq V_I \leq 27\text{ Vdc}$ $16\text{ Vdc} \leq V_I \leq 27\text{ Vdc}$ | Reg_{line} | – – | 120 100 | 250 200 | mV |
| Load Regulation ($T_J = +25^\circ\text{C}$, $1.0\text{ mA} \leq I_O \leq 100\text{ mA}$) ($T_J = +25^\circ\text{C}$, $1.0\text{ mA} \leq I_O \leq 40\text{ mA}$) | Reg_{load} | – – | 20 10 | 100 50 | mV |
| Output Voltage ($14.5\text{ Vdc} \leq V_I \leq 27\text{ Vdc}$, $1.0\text{ mA} \leq I_O \leq 40\text{ mA}$) ($V_I = 19\text{ V}$, $1.0\text{ mA} \leq I_O \leq 70\text{ mA}$) | V_O | 11.4 11.4 | – – | 12.6 12.6 | Vdc |
| Input Bias Current ($T_J = +25^\circ\text{C}$) ($T_J = +125^\circ\text{C}$) | I_{IB} | – – | 4.2 – | 6.5 6.0 | mA |
| Input Bias Current Change ($16\text{ Vdc} \leq V_I \leq 27\text{ Vdc}$) ($1.0\text{ mA} \leq I_O \leq 40\text{ mA}$) | ΔI_{IB} | – – | – – | 1.5 0.1 | mA |
| Output Noise Voltage ($T_A = +25^\circ\text{C}$, $10\text{ Hz} \leq f \leq 100\text{ kHz}$) | V_n | – | 80 | – | μV |
| Ripple Rejection ($I_O = 40\text{ mA}$, $f = 120\text{ Hz}$, $15\text{ V} \leq V_I \leq 25\text{ V}$, $T_J = +25^\circ\text{C}$) | RR | 37 | 42 | – | dB |
| Dropout Voltage ($T_J = +25^\circ\text{C}$) | $V_I - V_O$ | – | 1.7 | – | Vdc |

MC78L00A Series, NCV78L00A

ELECTRICAL CHARACTERISTICS ($V_I = 23\text{ V}$, $I_O = 40\text{ mA}$, $C_I = 0.33\text{ }\mu\text{F}$, $C_O = 0.1\text{ }\mu\text{F}$, $-40^\circ\text{C} < T_J < +125^\circ\text{C}$ (for MC78LXXAB), $0^\circ\text{C} < T_J < +125^\circ\text{C}$ (for MC78LXXAC), unless otherwise noted.)

| Characteristics | Symbol | MC78L15AC, AB / NCV78L15A | | | Unit |
|--|----------------------------|---------------------------|------------|----------------|---------------|
| | | Min | Typ | Max | |
| Output Voltage ($T_J = +25^\circ\text{C}$) | V_O | 14.4 | 15 | 15.6 | Vdc |
| Line Regulation ($T_J = +25^\circ\text{C}$, $I_O = 40\text{ mA}$) $17.5\text{ Vdc} \leq V_I \leq 30\text{ Vdc}$ $20\text{ Vdc} \leq V_I \leq 30\text{ Vdc}$ | Reg_{line} | – | 130 110 | 300 250 | mV |
| Load Regulation ($T_J = +25^\circ\text{C}$, $1.0\text{ mA} \leq I_O \leq 100\text{ mA}$) ($T_J = +25^\circ\text{C}$, $1.0\text{ mA} \leq I_O \leq 40\text{ mA}$) | Reg_{load} | – | 25 12 | 150 75 | mV |
| Output Voltage ($17.5\text{ Vdc} \leq V_I \leq 30\text{ Vdc}$, $1.0\text{ mA} \leq I_O \leq 40\text{ mA}$) ($V_I = 23\text{ V}$, $1.0\text{ mA} \leq I_O \leq 70\text{ mA}$) | V_O | 14.25 14.25 | – | 15.75 15.75 | Vdc |
| Input Bias Current ($T_J = +25^\circ\text{C}$) ($T_J = +125^\circ\text{C}$) | I_{IB} | – | 4.4 – | 6.5 6.0 | mA |
| Input Bias Current Change ($20\text{ Vdc} \leq V_I \leq 30\text{ Vdc}$) ($1.0\text{ mA} \leq I_O \leq 40\text{ mA}$) | ΔI_{IB} | – | – | 1.5 0.1 | mA |
| Output Noise Voltage ($T_A = +25^\circ\text{C}$, $10\text{ Hz} \leq f \leq 100\text{ kHz}$) | V_n | – | 90 | – | μV |
| Ripple Rejection ($I_O = 40\text{ mA}$, $f = 120\text{ Hz}$, $18.5\text{ V} \leq V_I \leq 28.5\text{ V}$, $T_J = +25^\circ\text{C}$) | RR | 34 | 39 | – | dB |
| Dropout Voltage ($T_J = +25^\circ\text{C}$) | $V_I - V_O$ | – | 1.7 | – | Vdc |

ELECTRICAL CHARACTERISTICS ($V_I = 27\text{ V}$, $I_O = 40\text{ mA}$, $C_I = 0.33\text{ }\mu\text{F}$, $C_O = 0.1\text{ }\mu\text{F}$, $0^\circ\text{C} < T_J < +125^\circ\text{C}$, unless otherwise noted.)

| Characteristics | Symbol | MC78L18AC | | | Unit |
|--|----------------------------|--------------|----------|--------------|---------------|
| | | Min | Typ | Max | |
| Output Voltage ($T_J = +25^\circ\text{C}$) | V_O | 17.3 | 18 | 18.7 | Vdc |
| Line Regulation ($T_J = +25^\circ\text{C}$, $I_O = 40\text{ mA}$) $21.4\text{ Vdc} \leq V_I \leq 33\text{ Vdc}$ $20.7\text{ Vdc} \leq V_I \leq 33\text{ Vdc}$ $22\text{ Vdc} \leq V_I \leq 33\text{ Vdc}$ $21\text{ Vdc} \leq V_I \leq 33\text{ Vdc}$ | Reg_{line} | – | 45 35 | 325 275 | mV |
| Load Regulation ($T_J = +25^\circ\text{C}$, $1.0\text{ mA} \leq I_O \leq 100\text{ mA}$) ($T_J = +25^\circ\text{C}$, $1.0\text{ mA} \leq I_O \leq 40\text{ mA}$) | Reg_{load} | – | 30 15 | 170 85 | mV |
| Output Voltage ($21.4\text{ Vdc} \leq V_I \leq 33\text{ Vdc}$, $1.0\text{ mA} \leq I_O \leq 40\text{ mA}$) ($20.7\text{ Vdc} \leq V_I \leq 33\text{ Vdc}$, $1.0\text{ mA} \leq I_O \leq 40\text{ mA}$) ($V_I = 27\text{ V}$, $1.0\text{ mA} \leq I_O \leq 70\text{ mA}$) ($V_I = 27\text{ V}$, $1.0\text{ mA} \leq I_O \leq 70\text{ mA}$) | V_O | 17.1 17.1 | – | 18.9 18.9 | Vdc |
| Input Bias Current ($T_J = +25^\circ\text{C}$) ($T_J = +125^\circ\text{C}$) | I_{IB} | – | 3.1 – | 6.5 6.0 | mA |
| Input Bias Current Change ($22\text{ Vdc} \leq V_I \leq 33\text{ Vdc}$) ($21\text{ Vdc} \leq V_I \leq 33\text{ Vdc}$) ($1.0\text{ mA} \leq I_O \leq 40\text{ mA}$) | ΔI_{IB} | – | – | 1.5 0.1 | mA |
| Output Noise Voltage ($T_A = +25^\circ\text{C}$, $10\text{ Hz} \leq f \leq 100\text{ kHz}$) | V_n | – | 150 | – | μV |
| Ripple Rejection ($I_O = 40\text{ mA}$, $f = 120\text{ Hz}$, $23\text{ V} \leq V_I \leq 33\text{ V}$, $T_J = +25^\circ\text{C}$) | RR | 33 | 48 | – | dB |
| Dropout Voltage ($T_J = +25^\circ\text{C}$) | $V_I - V_O$ | – | 1.7 | – | Vdc |

MC78L00A Series, NCV78L00A

ELECTRICAL CHARACTERISTICS ($V_I = 33\text{ V}$, $I_O = 40\text{ mA}$, $C_I = 0.33\text{ }\mu\text{F}$, $C_O = 0.1\text{ }\mu\text{F}$, $0^\circ\text{C} < T_J < +125^\circ\text{C}$, unless otherwise noted.)

| Characteristics | Symbol | MC78L24AC | | | Unit |
|--|----------------------------|--------------|---------------|-----------------|---------------|
| | | Min | Typ | Max | |
| Output Voltage ($T_J = +25^\circ\text{C}$) | V_O | 23 | 24 | 25 | Vdc |
| Line Regulation ($T_J = +25^\circ\text{C}$, $I_O = 40\text{ mA}$) $27.5\text{ Vdc} \leq V_I \leq 38\text{ Vdc}$ $28\text{ Vdc} \leq V_I \leq 80\text{ Vdc}$ $27\text{ Vdc} \leq V_I \leq 38\text{ Vdc}$ | Reg_{line} | - - - | - 50 60 | - 300 350 | mV |
| Load Regulation ($T_J = +25^\circ\text{C}$, $1.0\text{ mA} \leq I_O \leq 100\text{ mA}$) ($T_J = +25^\circ\text{C}$, $1.0\text{ mA} \leq I_O \leq 40\text{ mA}$) | Reg_{load} | - - | 40 20 | 200 100 | mV |
| Output Voltage ($28\text{ Vdc} \leq V_I \leq 38\text{ Vdc}$, $1.0\text{ mA} \leq I_O \leq 40\text{ mA}$) ($27\text{ Vdc} \leq V_I \leq 38\text{ Vdc}$, $1.0\text{ mA} \leq I_O \leq 40\text{ mA}$) ($28\text{ Vdc} \leq V_I \leq 33\text{ Vdc}$, $1.0\text{ mA} \leq I_O \leq 70\text{ mA}$) ($27\text{ Vdc} \leq V_I \leq 33\text{ Vdc}$, $1.0\text{ mA} \leq I_O \leq 70\text{ mA}$) | V_O | 22.8 22.8 | - - | 25.2 25.2 | Vdc |
| Input Bias Current ($T_J = +25^\circ\text{C}$) ($T_J = +125^\circ\text{C}$) | I_{IB} | - - | 3.1 - | 6.5 6.0 | mA |
| Input Bias Current Change ($28\text{ Vdc} \leq V_I \leq 38\text{ Vdc}$) ($1.0\text{ mA} \leq I_O \leq 40\text{ mA}$) | ΔI_{IB} | - - | - - | 1.5 0.1 | mA |
| Output Noise Voltage ($T_A = +25^\circ\text{C}$, $10\text{ Hz} \leq f \leq 100\text{ kHz}$) | V_n | - | 200 | - | μV |
| Ripple Rejection ($I_O = 40\text{ mA}$, $f = 120\text{ Hz}$, $29\text{ V} \leq V_I \leq 35\text{ V}$, $T_J = +25^\circ\text{C}$) | RR | 31 | 45 | - | dB |
| Dropout Voltage ($T_J = +25^\circ\text{C}$) | $V_I - V_O$ | - | 1.7 | - | Vdc |

Product parametric performance is indicated in the Electrical Characteristics for the listed test conditions, unless otherwise noted. Product performance may not be indicated by the Electrical Characteristics if operated under different conditions.

MC78L00A Series, NCV78L00A

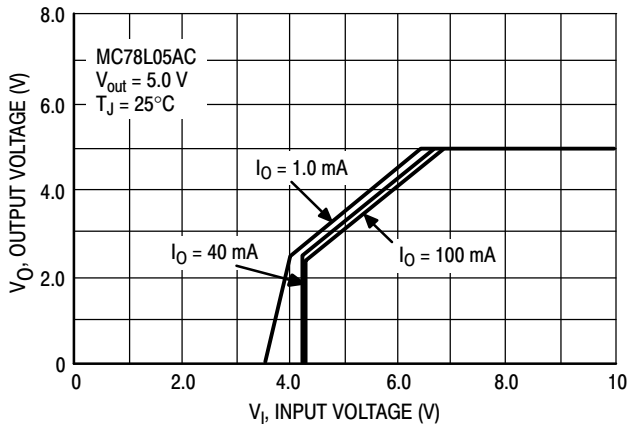


Figure 3. Dropout Characteristics

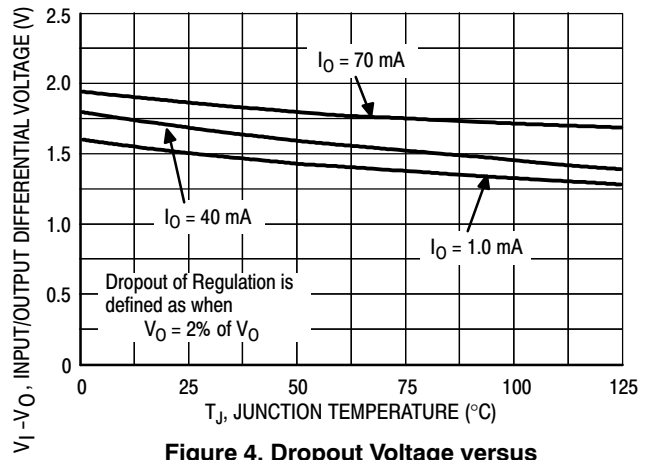


Figure 4. Dropout Voltage versus Junction Temperature

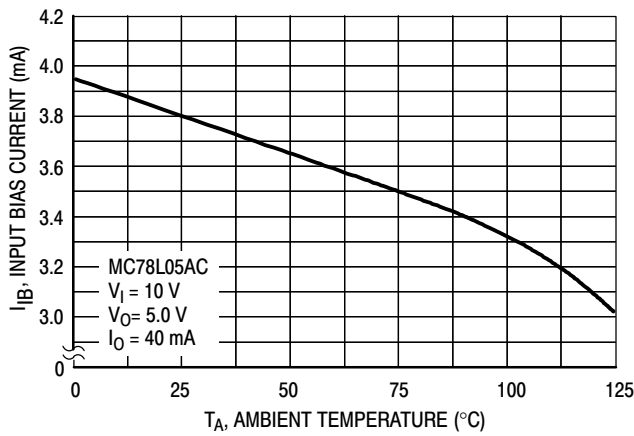


Figure 5. Input Bias Current versus Ambient Temperature

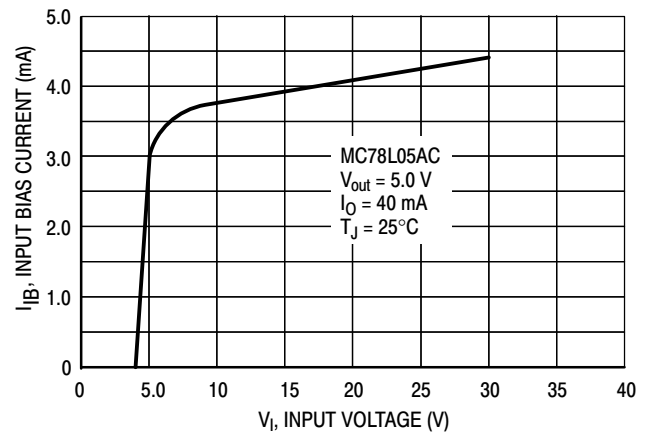


Figure 6. Input Bias Current versus Input Voltage

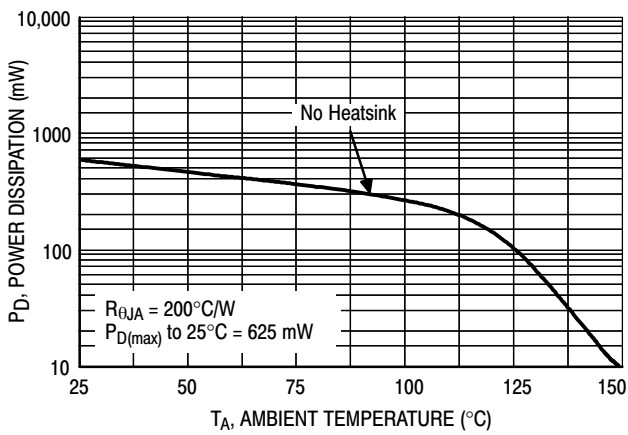


Figure 7. Maximum Average Power Dissipation versus Ambient Temperature – TO-92 Type Package

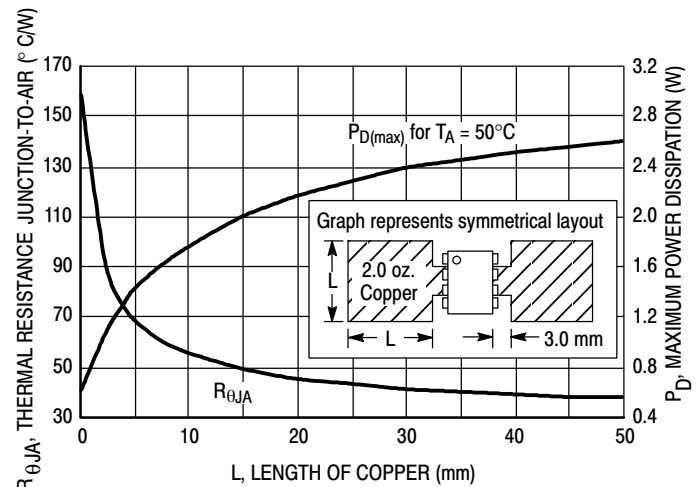


Figure 8. SOIC-8 Thermal Resistance and Maximum Power Dissipation versus P.C.B. Copper Length

MC78L00A Series, NCV78L00A

ORDERING INFORMATION

| Device | Output Voltage | Operating Temperature Range | Package | Shipping [†] |
|-----------------|----------------|---|---------------------|-----------------------|
| MC78L05ABDG | 5.0 V | $T_J = -40^\circ \text{ to } +125^\circ \text{C}$ | SOIC-8 (Pb-Free) | 98 Units / Rail |
| NCV78L05ABDG* | 5.0 V | $T_J = -40^\circ \text{ to } +125^\circ \text{C}$ | SOIC-8 (Pb-Free) | 98 Units / Rail |
| MC78L05ABDR2G | 5.0 V | $T_J = -40^\circ \text{ to } +125^\circ \text{C}$ | SOIC-8 (Pb-Free) | 2500 / Tape & Reel |
| NCV78L05ABDR2G* | 5.0 V | $T_J = -40^\circ \text{ to } +125^\circ \text{C}$ | SOIC-8 (Pb-Free) | 2500 / Tape & Reel |
| MC78L05ABPG | 5.0 V | $T_J = -40^\circ \text{ to } +125^\circ \text{C}$ | TO-92 (Pb-Free) | 2000 Units / Bag |
| NCV78L05ABPG* | 5.0 V | $T_J = -40^\circ \text{ to } +125^\circ \text{C}$ | TO-92 (Pb-Free) | 2000 Units / Bag |
| MC78L05ABPRAG | 5.0 V | $T_J = -40^\circ \text{ to } +125^\circ \text{C}$ | TO-92 (Pb-Free) | 2000 / Tape & Reel |
| NCV78L05ABPRAG* | 5.0 V | $T_J = -40^\circ \text{ to } +125^\circ \text{C}$ | TO-92 (Pb-Free) | 2000 / Tape & Reel |
| MC78L05ABPREG | 5.0 V | $T_J = -40^\circ \text{ to } +125^\circ \text{C}$ | TO-92 (Pb-Free) | 2000 / Tape & Reel |
| NCV78L05ABPREG* | 5.0 V | $T_J = -40^\circ \text{ to } +125^\circ \text{C}$ | TO-92 (Pb-Free) | 2000 / Tape & Reel |
| MC78L05ABPRMG | 5.0 V | $T_J = -40^\circ \text{ to } +125^\circ \text{C}$ | TO-92 (Pb-Free) | 2000 / Ammo Pack |
| NCV78L05ABPRMG* | 5.0 V | $T_J = -40^\circ \text{ to } +125^\circ \text{C}$ | TO-92 (Pb-Free) | 2000 / Ammo Pack |
| NCV78L05ABPRPG* | 5.0 V | $T_J = -40^\circ \text{ to } +125^\circ \text{C}$ | TO-92 (Pb-Free) | 2000 / Ammo Pack |
| MC78L05ACDG | 5.0 V | $T_J = 0^\circ \text{ to } +125^\circ \text{C}$ | SOIC-8 (Pb-Free) | 98 Units / Rail |
| MC78L05ACDR2G | 5.0 V | $T_J = 0^\circ \text{ to } +125^\circ \text{C}$ | SOIC-8 (Pb-Free) | 2500 / Tape & Reel |
| MC78L05ACPG | 5.0 V | $T_J = 0^\circ \text{ to } +125^\circ \text{C}$ | TO-92 (Pb-Free) | 2000 Units / Bag |
| MC78L05ACPRAG | 5.0 V | $T_J = 0^\circ \text{ to } +125^\circ \text{C}$ | TO-92 (Pb-Free) | 2000 / Tape & Reel |
| MC78L05ACPREG | 5.0 V | $T_J = 0^\circ \text{ to } +125^\circ \text{C}$ | TO-92 (Pb-Free) | 2000 / Tape & Reel |
| MC78L05ACPRMG | 5.0 V | $T_J = 0^\circ \text{ to } +125^\circ \text{C}$ | TO-92 (Pb-Free) | 2000 / Ammo Pack |
| MC78L05ACPRPG | 5.0 V | $T_J = 0^\circ \text{ to } +125^\circ \text{C}$ | TO-92 (Pb-Free) | 2000 / Ammo Pack |
| MC78L05ACHT1G | 5.0 V | $T_J = 0^\circ \text{ to } +125^\circ \text{C}$ | SOT-89 (Pb-Free) | 2500 / Tape & Reel |
| MC78L08ABDG | 8.0 V | $T_J = -40^\circ \text{ to } +125^\circ \text{C}$ | SOIC-8 (Pb-Free) | 98 Units / Rail |

*NCV78L05A, NCV78L12A, NCV78L15A: $T_{\text{low}} = -40^\circ \text{C}$, $T_{\text{high}} = +125^\circ \text{C}$. Guaranteed by design. NCV Prefix for Automotive and Other Applications Requiring Unique Site and Control Change Requirements; AEC-Q100 Qualified and PPAP Capable.

[†]For information on tape and reel specifications, including part orientation and tape sizes, please refer to our Tape and Reel Packaging Specifications Brochure, BRD8011/D.

MC78L00A Series, NCV78L00A

ORDERING INFORMATION (continued)

| Device | Output Voltage | Operating Temperature Range | Package | Shipping [†] |
|-----------------|----------------|---------------------------------|---------------------|-----------------------|
| MC78L08ABDR2G | 8.0 V | T _J = -40° to +125°C | SOIC-8 (Pb-Free) | 2500 / Tape & Reel |
| NCV78L08ABDR2G* | 8.0 V | T _J = -40° to +125°C | SOIC-8 (Pb-Free) | 2500 / Tape & Reel |
| MC78L08ABPG | 8.0 V | T _J = -40° to +125°C | TO-92 (Pb-Free) | 2000 Units / Bag |
| MC78L08ABPRAG | 8.0 V | T _J = -40° to +125°C | TO-92 (Pb-Free) | 2000 / Tape & Reel |
| MC78L08ABPRPG | 8.0 V | T _J = -40° to +125°C | TO-92 (Pb-Free) | 2000 / Ammo Pack |
| MC78L08ACDG | 8.0 V | T _J = 0° to +125°C | SOIC-8 (Pb-Free) | 98 Units / Rail |
| MC78L08ACDR2G | 8.0 V | T _J = 0° to +125°C | SOIC-8 (Pb-Free) | 2500 / Tape & Reel |
| MC78L08ACPG | 8.0 V | T _J = 0° to +125°C | TO-92 (Pb-Free) | 2000 Units / Bag |
| MC78L08ACPRAG | 8.0 V | T _J = 0° to +125°C | TO-92 (Pb-Free) | 2000 / Tape & Reel |
| MC78L08ACPREG | 8.0 V | T _J = 0° to +125°C | TO-92 (Pb-Free) | 2000 / Tape & Reel |
| MC78L08ACPRPG | 8.0 V | T _J = 0° to +125°C | TO-92 (Pb-Free) | 2000 / Ammo Pack |
| MC78L09ABDG | 9.0 V | T _J = -40° to +125°C | SOIC-8 (Pb-Free) | 98 Units / Rail |
| MC78L09ABDR2G | 9.0 V | T _J = -40° to +125°C | SOIC-8 (Pb-Free) | 2500 / Tape & Reel |
| MC78L09ABPRAG | 9.0 V | T _J = -40° to +125°C | TO-92 (Pb-Free) | 2000 / Tape & Reel |
| MC78L09ABPRPG | 9.0 V | T _J = -40° to +125°C | TO-92 (Pb-Free) | 2000 / Ammo Pack |
| MC78L09ACDG | 9.0 V | T _J = 0° to +125°C | SOIC-8 (Pb-Free) | 98 Units / Rail |
| MC78L09ACDR2G | 9.0 V | T _J = 0° to +125°C | SOIC-8 (Pb-Free) | 2500 / Tape & Reel |
| MC78L09ACPG | 9.0 V | T _J = 0° to +125°C | TO-92 (Pb-Free) | 2000 Units / Bag |
| MC78L12ABDG | 12 V | T _J = -40° to +125°C | SOIC-8 (Pb-Free) | 98 Units / Rail |
| MC78L12ABDR2G | 12 V | T _J = -40° to +125°C | SOIC-8 (Pb-Free) | 2500 / Tape & Reel |
| NCV78L12ABDG* | 12 V | T _J = -40° to +125°C | SOIC-8 (Pb-Free) | 98 Units / Rail |
| NCV78L12ABDR2G* | 12 V | T _J = -40° to +125°C | SOIC-8 (Pb-Free) | 2500 / Tape & Reel |
| MC78L12ABPG | 12 V | T _J = -40° to +125°C | TO-92 (Pb-Free) | 2000 Units / Bag |

*NCV78L05A, NCV78L12A, NCV78L15A: T_{low} = -40°C, T_{high} = +125°C. Guaranteed by design. NCV Prefix for Automotive and Other Applications Requiring Unique Site and Control Change Requirements; AEC-Q100 Qualified and PPAP Capable.

† For information on tape and reel specifications, including part orientation and tape sizes, please refer to our Tape and Reel Packaging Specifications Brochure, BRD8011/D.

MC78L00A Series, NCV78L00A

ORDERING INFORMATION (continued)

| Device | Output Voltage | Operating Temperature Range | Package | Shipping [†] |
|-----------------|----------------|---------------------------------|---------------------|-----------------------|
| MC78L12ABPRPG | 12 V | T _J = -40° to +125°C | TO-92 (Pb-Free) | 2000 / Ammo Pack |
| NCV78L12ABPG* | 12 V | T _J = -40° to +125°C | TO-92 (Pb-Free) | 2000 Units / Bag |
| MC78L12ACDG | 12 V | T _J = 0° to +125°C | SOIC-8 (Pb-Free) | 98 Units / Rail |
| MC78L12ACDR2G | 12 V | T _J = 0° to +125°C | SOIC-8 (Pb-Free) | 2500 / Tape & Reel |
| MC78L12ACPG | 12 V | T _J = 0° to +125°C | TO-92 (Pb-Free) | 2000 Units / Bag |
| MC78L12ACPRAG | 12 V | T _J = 0° to +125°C | TO-92 (Pb-Free) | 2000 / Tape & Reel |
| MC78L12ACPREG | 12 V | T _J = 0° to +125°C | TO-92 (Pb-Free) | 2000 / Tape & Reel |
| MC78L12ACPRMG | 12 V | T _J = 0° to +125°C | TO-92 (Pb-Free) | 2000 / Ammo Pack |
| MC78L12ACPRPG | 12 V | T _J = 0° to +125°C | TO-92 (Pb-Free) | 2000 / Ammo Pack |
| MC78L15ABDG | 15 V | T _J = -40° to +125°C | SOIC-8 (Pb-Free) | 98 Units / Rail |
| MC78L15ABDR2G | 15 V | T _J = -40° to +125°C | SOIC-8 (Pb-Free) | 2500 / Tape & Reel |
| NCV78L15ABDR2G* | 15 V | T _J = -40° to +125°C | SOIC-8 (Pb-Free) | 2500 / Tape & Reel |
| MC78L15ABPG | 15 V | T _J = -40° to +125°C | TO-92 (Pb-Free) | 2000 Units / Bag |
| MC78L15ABPRAG | 15 V | T _J = -40° to +125°C | TO-92 (Pb-Free) | 2000 / Tape & Reel |
| MC78L15ABPRPG | 15 V | T _J = -40° to +125°C | TO-92 (Pb-Free) | 2000 / Ammo Pack |
| MC78L15ACDG | 15 V | T _J = 0° to +125°C | SOIC-8 (Pb-Free) | 98 Units / Rail |
| MC78L15ACDR2G | 15 V | T _J = 0° to +125°C | SOIC-8 (Pb-Free) | 2500 / Tape & Reel |
| MC78L15ACPG | 15 V | T _J = 0° to +125°C | TO-92 (Pb-Free) | 2000 Units / Bag |
| MC78L15ACPRAG | 15 V | T _J = 0° to +125°C | TO-92 (Pb-Free) | 2000 / Tape & Reel |
| MC78L15ACPRPG | 15 V | T _J = 0° to +125°C | TO-92 (Pb-Free) | 2000 / Ammo Pack |
| MC78L18ABPG | 18 V | T _J = -40° to +125°C | TO-92 (Pb-Free) | 2000 Units / Bag |
| MC78L18ACPG | 18 V | T _J = 0° to +125°C | TO-92 (Pb-Free) | 2000 Units / Bag |
| MC78L18ACPRAG | 18 V | T _J = 0° to +125°C | TO-92 (Pb-Free) | 2000 / Tape & Reel |

*NCV78L05A, NCV78L12A, NCV78L15A: T_{low} = -40°C, T_{high} = +125°C. Guaranteed by design. NCV Prefix for Automotive and Other Applications Requiring Unique Site and Control Change Requirements; AEC-Q100 Qualified and PPAP Capable.

†For information on tape and reel specifications, including part orientation and tape sizes, please refer to our Tape and Reel Packaging Specifications Brochure, BRD8011/D.

MC78L00A Series, NCV78L00A

ORDERING INFORMATION (continued)

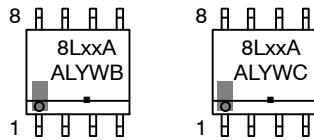
| Device | Output Voltage | Operating Temperature Range | Package | Shipping [†] |
|-----------------|----------------|---------------------------------|--------------------|-----------------------|
| MC78L18ACPRMG | 18 V | T _J = 0° to +125°C | TO-92 (Pb-Free) | 2000 / Ammo Pack |
| MC78L18ACPRPG | 18 V | T _J = 0° to +125°C | TO-92 (Pb-Free) | 2000 / Ammo Pack |
| MC78L24ABPG | 24 V | T _J = -40° to +125°C | TO-92 (Pb-Free) | 2000 Units / Bag |
| NCV78L24ABPRPG* | 24 V | T _J = -40° to +125°C | TO-92 (Pb-Free) | 2000 Units / Bag |
| MC78L24ACPG | 24 V | T _J = 0° to +125°C | TO-92 (Pb-Free) | 2000 Units / Bag |
| MC78L24ACPRAG | 24 V | T _J = 0° to +125°C | TO-92 (Pb-Free) | 2000 / Tape & Reel |
| MC78L24ACPRPG | 24 V | T _J = 0° to +125°C | TO-92 (Pb-Free) | 2000 / Ammo Pack |

*NCV78L05A, NCV78L12A, NCV78L15A: T_{low} = -40°C, T_{high} = +125°C. Guaranteed by design. NCV Prefix for Automotive and Other Applications Requiring Unique Site and Control Change Requirements; AEC-Q100 Qualified and PPAP Capable.

†For information on tape and reel specifications, including part orientation and tape sizes, please refer to our Tape and Reel Packaging Specifications Brochure, BRD8011/D.

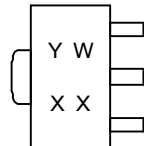
MARKING DIAGRAMS

SOIC-8 D SUFFIX CASE 751



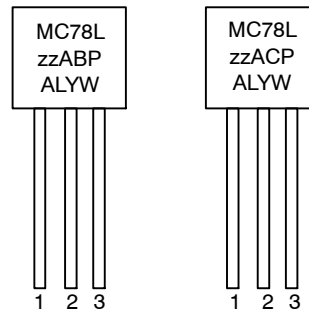
xx = 05, 08, 09, 12, or 15
 A = Assembly Location
 L = Wafer Lot
 Y = Year
 W = Work Week
 B, C = Temperature Range
 ■ = Pb-Free Package

SOT-89 CASE 528AG



Y = Year
 W = Work Week
 XX = Specific Device Code

TO-92 P SUFFIX CASE 029

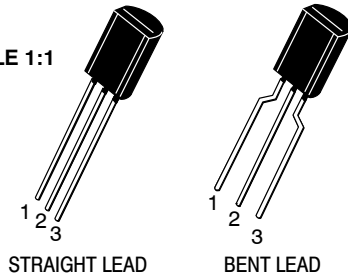


zz = 05, 08, 09, 12, 15, 18 or 24
 A = Assembly Location
 L = Wafer Lot
 Y = Year
 W = Work Week

MECHANICAL CASE OUTLINE
PACKAGE DIMENSIONS



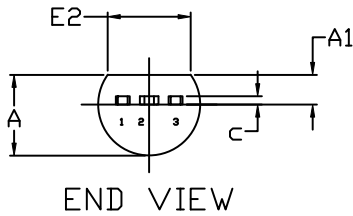
SCALE 1:1



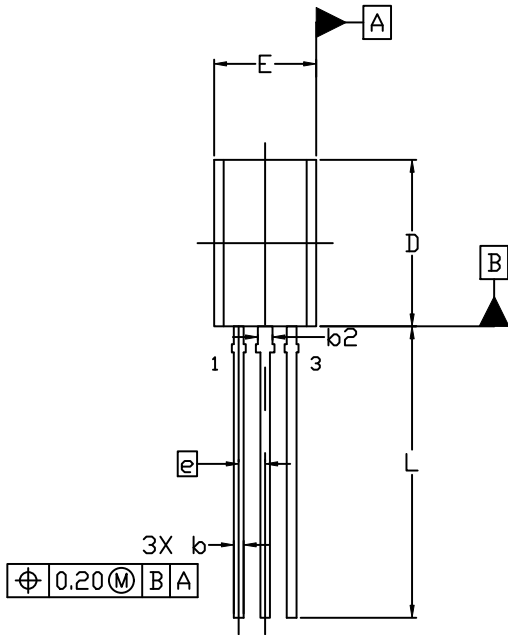
TO-92 (TO-226) 1 WATT
CASE 29-10
ISSUE D

DATE 05 MAR 2021

STRAIGHT LEAD



END VIEW



TOP VIEW

NOTES:

1. DIMENSIONING AND TOLERANCING PER ASME Y14.5M, 2009.
2. CONTROLLING DIMENSION: MILLIMETERS
3. DIMENSIONS D AND E DO NOT INCLUDE MOLD FLASH OR GATE PROTRUSIONS.
4. DIMENSION b AND b2 DOES NOT INCLUDE DAMBAR PROTRUSION. LEAD WIDTH INCLUDING PROTRUSION SHALL NOT EXCEED 0.20. DIMENSION b2 LOCATED ABOVE THE DAMBAR PORTION OF MIDDLE LEAD.

| DIM | MILLIMETERS | | |
|-----|-------------|-------|-------|
| | MIN. | NOM. | MAX. |
| A | 3.75 | 3.90 | 4.05 |
| A1 | 1.28 | 1.43 | 1.58 |
| b | 0.38 | 0.465 | 0.55 |
| b2 | 0.62 | 0.70 | 0.78 |
| c | 0.35 | 0.40 | 0.45 |
| D | 7.85 | 8.00 | 8.15 |
| E | 4.75 | 4.90 | 5.05 |
| E2 | 3.90 | --- | --- |
| e | 1.27 BSC | | |
| L | 13.80 | 14.00 | 14.20 |

STYLES AND MARKING ON PAGE 3

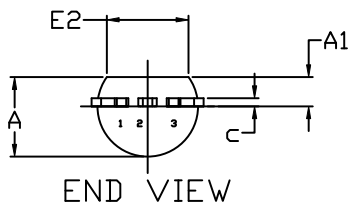
| | | |
|-------------------------|------------------------------|--|
| DOCUMENT NUMBER: | 98AON52857E | Electronic versions are uncontrolled except when accessed directly from the Document Repository. Printed versions are uncontrolled except when stamped "CONTROLLED COPY" in red. |
| DESCRIPTION: | TO-92 (TO-226) 1 WATT | PAGE 1 OF 3 |

ON Semiconductor and are trademarks of Semiconductor Components Industries, LLC dba ON Semiconductor or its subsidiaries in the United States and/or other countries. ON Semiconductor reserves the right to make changes without further notice to any products herein. ON Semiconductor makes no warranty, representation or guarantee regarding the suitability of its products for any particular purpose, nor does ON Semiconductor assume any liability arising out of the application or use of any product or circuit, and specifically disclaims any and all liability, including without limitation special, consequential or incidental damages. ON Semiconductor does not convey any license under its patent rights nor the rights of others.

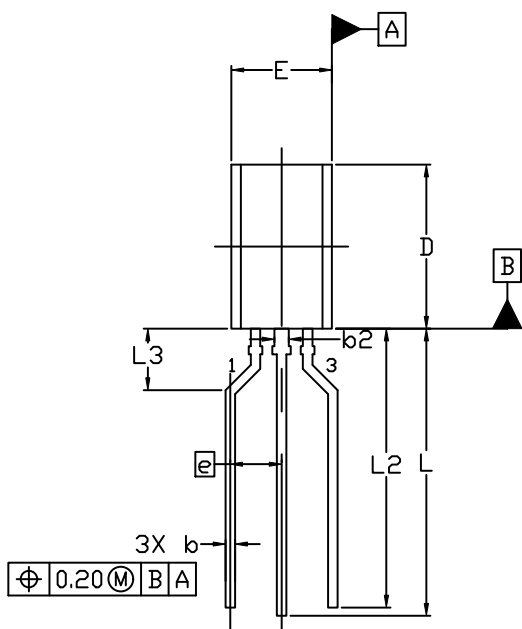
TO-92 (TO-226) 1 WATT
CASE 29-10
ISSUE D

DATE 05 MAR 2021

FORMED LEAD



END VIEW



TOP VIEW


NOTES:

1. DIMENSIONING AND TOLERANCING PER ASME Y14.5M, 2009.
2. CONTROLLING DIMENSION: MILLIMETERS
3. DIMENSIONS D AND E DO NOT INCLUDE MOLD FLASH OR GATE PROTRUSIONS.
4. DIMENSION b AND b2 DOES NOT INCLUDE DAMBAR PROTRUSION. LEAD WIDTH INCLUDING PROTRUSION SHALL NOT EXCEED 0.20. DIMENSION b2 LOCATED ABOVE THE DAMBAR PORTION OF MIDDLE LEAD.

| DIM | MILLIMETERS | | |
|-----|-------------|-------|-------|
| | MIN. | NOM. | MAX. |
| A | 3.75 | 3.90 | 4.05 |
| A1 | 1.28 | 1.43 | 1.58 |
| b | 0.38 | 0.465 | 0.55 |
| b2 | 0.62 | 0.70 | 0.78 |
| c | 0.35 | 0.40 | 0.45 |
| D | 7.85 | 8.00 | 8.15 |
| E | 4.75 | 4.90 | 5.05 |
| E2 | 3.90 | --- | --- |
| e | 2.50 BSC | | |
| L | 13.80 | 14.00 | 14.20 |
| L2 | 13.20 | 13.60 | 14.00 |
| L3 | 3.00 REF | | |

STYLES AND MARKING ON PAGE 3

| | | |
|-------------------------|------------------------------|--|
| DOCUMENT NUMBER: | 98AON52857E | Electronic versions are uncontrolled except when accessed directly from the Document Repository. Printed versions are uncontrolled except when stamped "CONTROLLED COPY" in red. |
| DESCRIPTION: | TO-92 (TO-226) 1 WATT | PAGE 2 OF 3 |

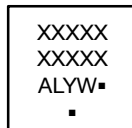
ON Semiconductor and  are trademarks of Semiconductor Components Industries, LLC dba ON Semiconductor or its subsidiaries in the United States and/or other countries. ON Semiconductor reserves the right to make changes without further notice to any products herein. ON Semiconductor makes no warranty, representation or guarantee regarding the suitability of its products for any particular purpose, nor does ON Semiconductor assume any liability arising out of the application or use of any product or circuit, and specifically disclaims any and all liability, including without limitation special, consequential or incidental damages. ON Semiconductor does not convey any license under its patent rights nor the rights of others.

**TO-92 (TO-226) 1 WATT
CASE 29-10
ISSUE D**

DATE 05 MAR 2021

- | | | | | |
|---|--|--|---|---|
| STYLE 1: PIN 1. EMITTER 2. BASE 3. COLLECTOR | STYLE 2: PIN 1. BASE 2. EMITTER 3. COLLECTOR | STYLE 3: PIN 1. ANODE 2. ANODE 3. CATHODE | STYLE 4: PIN 1. CATHODE 2. CATHODE 3. ANODE | STYLE 5: PIN 1. DRAIN 2. SOURCE 3. GATE |
| STYLE 6: PIN 1. GATE 2. SOURCE & SUBSTRATE 3. DRAIN | STYLE 7: PIN 1. SOURCE 2. DRAIN 3. GATE | STYLE 8: PIN 1. DRAIN 2. GATE 3. SOURCE & SUBSTRATE | STYLE 9: PIN 1. BASE 1 2. EMITTER 3. BASE 2 | STYLE 10: PIN 1. CATHODE 2. GATE 3. ANODE |
| STYLE 11: PIN 1. ANODE 2. CATHODE & ANODE 3. CATHODE | STYLE 12: PIN 1. MAIN TERMINAL 1 2. GATE 3. MAIN TERMINAL 2 | STYLE 13: PIN 1. ANODE 1 2. GATE 3. CATHODE 2 | STYLE 14: PIN 1. EMITTER 2. COLLECTOR 3. BASE | STYLE 15: PIN 1. ANODE 1 2. CATHODE 3. ANODE 2 |
| STYLE 16: PIN 1. ANODE 2. GATE 3. CATHODE | STYLE 17: PIN 1. COLLECTOR 2. BASE 3. EMITTER | STYLE 18: PIN 1. ANODE 2. CATHODE 3. NOT CONNECTED | STYLE 19: PIN 1. GATE 2. ANODE 3. CATHODE | STYLE 20: PIN 1. NOT CONNECTED 2. CATHODE 3. ANODE |
| STYLE 21: PIN 1. COLLECTOR 2. EMITTER 3. BASE | STYLE 22: PIN 1. SOURCE 2. GATE 3. DRAIN | STYLE 23: PIN 1. GATE 2. SOURCE 3. DRAIN | STYLE 24: PIN 1. EMITTER 2. COLLECTOR/ANODE 3. CATHODE | STYLE 25: PIN 1. MT 1 2. GATE 3. MT 2 |
| STYLE 26: PIN 1. V _{CC} 2. GROUND 2 3. OUTPUT | STYLE 27: PIN 1. MT 2. SUBSTRATE 3. MT | STYLE 28: PIN 1. CATHODE 2. ANODE 3. GATE | STYLE 29: PIN 1. NOT CONNECTED 2. ANODE 3. CATHODE | STYLE 30: PIN 1. DRAIN 2. GATE 3. SOURCE |
| STYLE 31: PIN 1. GATE 2. DRAIN 3. SOURCE | STYLE 32: PIN 1. BASE 2. COLLECTOR 3. EMITTER | STYLE 33: PIN 1. RETURN 2. INPUT 3. OUTPUT | STYLE 34: PIN 1. INPUT 2. GROUND 3. LOGIC | STYLE 35: PIN 1. GATE 2. COLLECTOR 3. EMITTER |

**GENERIC
MARKING DIAGRAM***




- XXXX = Specific Device Code
A = Assembly Location
L = Wafer Lot
Y = Year
W = Work Week
▪ = Pb-Free Package

(Note: Microdot may be in either location)

*This information is generic. Please refer to device data sheet for actual part marking. Pb-Free indicator, "G" or microdot "▪", may or may not be present. Some products may not follow the Generic Marking.

| | | |
|-------------------------|------------------------------|---|
| DOCUMENT NUMBER: | 98AON52857E | Electronic versions are uncontrolled except when accessed directly from the Document Repository. Printed versions are uncontrolled except when stamped "CONTROLLED COPY" in red. |
| DESCRIPTION: | TO-92 (TO-226) 1 WATT | PAGE 3 OF 3 |

ON Semiconductor and  are trademarks of Semiconductor Components Industries, LLC dba ON Semiconductor or its subsidiaries in the United States and/or other countries. ON Semiconductor reserves the right to make changes without further notice to any products herein. ON Semiconductor makes no warranty, representation or guarantee regarding the suitability of its products for any particular purpose, nor does ON Semiconductor assume any liability arising out of the application or use of any product or circuit, and specifically disclaims any and all liability, including without limitation special, consequential or incidental damages. ON Semiconductor does not convey any license under its patent rights nor the rights of others.

MECHANICAL CASE OUTLINE

PACKAGE DIMENSIONS

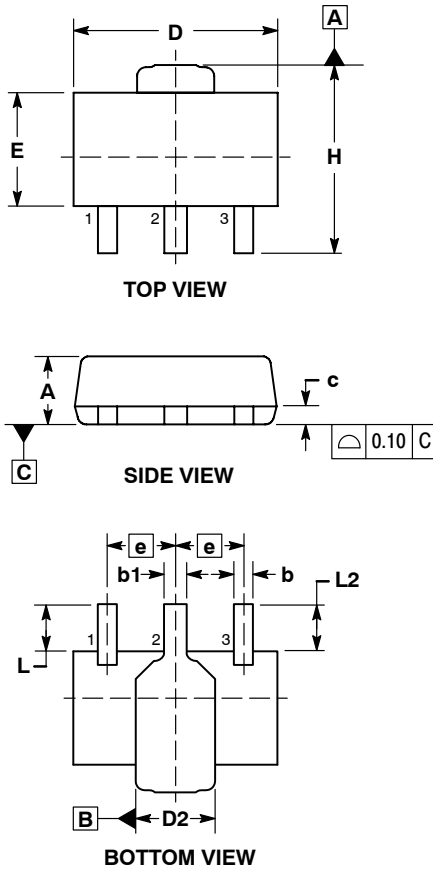
ON Semiconductor®



SCALE 2:1

SOT-89, 3 LEAD CASE 528AG ISSUE 0

DATE 04 MAR 2014

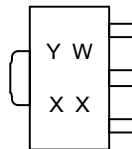


NOTES:

1. DIMENSIONING AND TOLERANCING PER ASME Y14.5M, 1994.
2. CONTROLLING DIMENSION: MILLIMETERS.
3. LEAD THICKNESS INCLUDES LEAD FINISH.
4. DIMENSIONS D AND E DO NOT INCLUDE MOLD FLASH, PROTRUSIONS, OR GATE BURRS.
5. DIMENSIONS L, L2, D2, AND H ARE MEASURED AT DATUM PLANE C.
6. CENTER LEAD CONTOUR MAY VARY WITHIN THE REGION DEFINED BY DIMENSION E.
7. DIMENSION D2 IS DEFINED AT ITS WIDEST POINT.

| MILLIMETERS | | |
|-------------|----------|------|
| DIM | MIN | MAX |
| A | 1.40 | 1.60 |
| b | 0.38 | 0.47 |
| b1 | 0.46 | 0.55 |
| c | 0.40 | 0.44 |
| D | 4.40 | 4.60 |
| D2 | 1.60 | 1.90 |
| E | 2.40 | 2.60 |
| e | 1.50 BSC | |
| H | 4.05 | 4.25 |
| L | 0.89 | 1.20 |

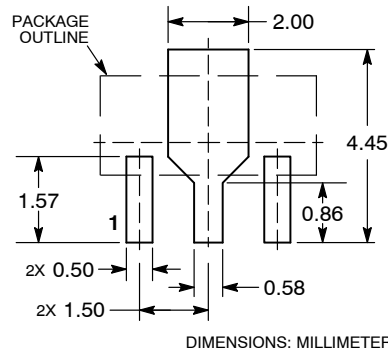
GENERIC MARKING DIAGRAM*



- Y = Year
- W = Work Week
- XX = Specific Device Code

*This information is generic. Please refer to device data sheet for actual part marking. Pb-Free indicator, "G", may or not be present.

RECOMMENDED MOUNTING FOOTPRINT*



*For additional information on our Pb-Free strategy and soldering details, please download the ON Semiconductor Soldering and Mounting Techniques Reference Manual, SOLDERRM/D.

| | | |
|-------------------------|-----------------------|--|
| DOCUMENT NUMBER: | 98AON82692F | Electronic versions are uncontrolled except when accessed directly from the Document Repository. Printed versions are uncontrolled except when stamped "CONTROLLED COPY" in red. |
| DESCRIPTION: | SOT-89, 3 LEAD | PAGE 1 OF 1 |

ON Semiconductor and ON are trademarks of Semiconductor Components Industries, LLC dba ON Semiconductor or its subsidiaries in the United States and/or other countries. ON Semiconductor reserves the right to make changes without further notice to any products herein. ON Semiconductor makes no warranty, representation or guarantee regarding the suitability of its products for any particular purpose, nor does ON Semiconductor assume any liability arising out of the application or use of any product or circuit, and specifically disclaims any and all liability, including without limitation special, consequential or incidental damages. ON Semiconductor does not convey any license under its patent rights nor the rights of others.

MECHANICAL CASE OUTLINE PACKAGE DIMENSIONS

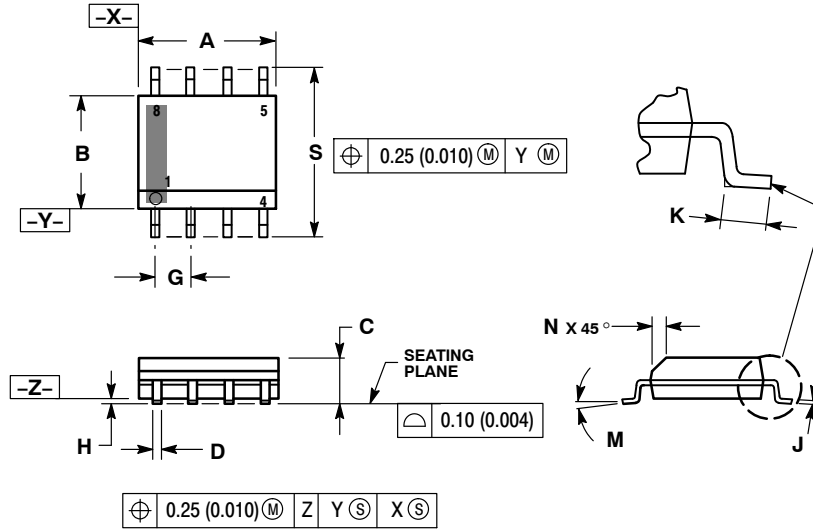
ON Semiconductor®



SCALE 1:1

SOIC-8 NB
CASE 751-07
ISSUE AK

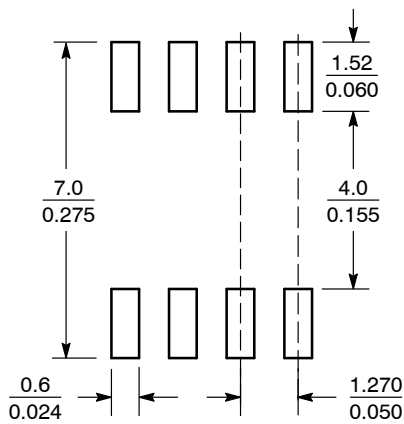
DATE 16 FEB 2011



- NOTES:
1. DIMENSIONING AND TOLERANCING PER ANSI Y14.5M, 1982.
 2. CONTROLLING DIMENSION: MILLIMETER.
 3. DIMENSION A AND B DO NOT INCLUDE MOLD PROTRUSION.
 4. MAXIMUM MOLD PROTRUSION 0.15 (0.006) PER SIDE.
 5. DIMENSION D DOES NOT INCLUDE DAMBAR PROTRUSION. ALLOWABLE DAMBAR PROTRUSION SHALL BE 0.127 (0.005) TOTAL IN EXCESS OF THE D DIMENSION AT MAXIMUM MATERIAL CONDITION.
 6. 751-01 THRU 751-06 ARE OBSOLETE. NEW STANDARD IS 751-07.

| DIM | MILLIMETERS | | INCHES | |
|-----|-------------|------|-----------|-------|
| | MIN | MAX | MIN | MAX |
| A | 4.80 | 5.00 | 0.189 | 0.197 |
| B | 3.80 | 4.00 | 0.150 | 0.157 |
| C | 1.35 | 1.75 | 0.053 | 0.069 |
| D | 0.33 | 0.51 | 0.013 | 0.020 |
| G | 1.27 BSC | | 0.050 BSC | |
| H | 0.10 | 0.25 | 0.004 | 0.010 |
| J | 0.19 | 0.25 | 0.007 | 0.010 |
| K | 0.40 | 1.27 | 0.016 | 0.050 |
| M | 0° | 8° | 0° | 8° |
| N | 0.25 | 0.50 | 0.010 | 0.020 |
| S | 5.80 | 6.20 | 0.228 | 0.244 |

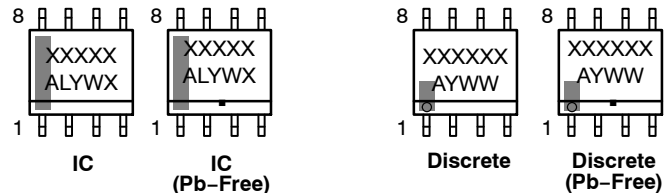
SOLDERING FOOTPRINT*



SCALE 6:1 (mm/inches)

*For additional information on our Pb-Free strategy and soldering details, please download the ON Semiconductor Soldering and Mounting Techniques Reference Manual, SOLDERRM/D.

GENERIC MARKING DIAGRAM*



XXXXXX = Specific Device Code
A = Assembly Location
L = Wafer Lot
Y = Year
W = Work Week
▪ = Pb-Free Package

XXXXXX = Specific Device Code
A = Assembly Location
Y = Year
WW = Work Week
▪ = Pb-Free Package

*This information is generic. Please refer to device data sheet for actual part marking. Pb-Free indicator, "G" or microdot "▪", may or may not be present. Some products may not follow the Generic Marking.

STYLES ON PAGE 2

| | | |
|------------------|-------------|--|
| DOCUMENT NUMBER: | 98ASB42564B | Electronic versions are uncontrolled except when accessed directly from the Document Repository. Printed versions are uncontrolled except when stamped "CONTROLLED COPY" in red. |
| DESCRIPTION: | SOIC-8 NB | PAGE 1 OF 2 |

ON Semiconductor and ON are trademarks of Semiconductor Components Industries, LLC dba ON Semiconductor or its subsidiaries in the United States and/or other countries. ON Semiconductor reserves the right to make changes without further notice to any products herein. ON Semiconductor makes no warranty, representation or guarantee regarding the suitability of its products for any particular purpose, nor does ON Semiconductor assume any liability arising out of the application or use of any product or circuit, and specifically disclaims any and all liability, including without limitation special, consequential or incidental damages. ON Semiconductor does not convey any license under its patent rights nor the rights of others.

SOIC-8 NB
CASE 751-07
ISSUE AK

DATE 16 FEB 2011

- | | | | |
|--|---|---|---|
| <p>STYLE 1: PIN 1. EMITTER 2. COLLECTOR 3. COLLECTOR 4. EMITTER 5. EMITTER 6. BASE 7. BASE 8. EMITTER</p> | <p>STYLE 2: PIN 1. COLLECTOR, DIE, #1 2. COLLECTOR, #1 3. COLLECTOR, #2 4. COLLECTOR, #2 5. BASE, #2 6. EMITTER, #2 7. BASE, #1 8. EMITTER, #1</p> | <p>STYLE 3: PIN 1. DRAIN, DIE #1 2. DRAIN, #1 3. DRAIN, #2 4. DRAIN, #2 5. GATE, #2 6. SOURCE, #2 7. GATE, #1 8. SOURCE, #1</p> | <p>STYLE 4: PIN 1. ANODE 2. ANODE 3. ANODE 4. ANODE 5. ANODE 6. ANODE 7. ANODE 8. COMMON CATHODE</p> |
| <p>STYLE 5: PIN 1. DRAIN 2. DRAIN 3. DRAIN 4. DRAIN 5. GATE 6. GATE 7. SOURCE 8. SOURCE</p> | <p>STYLE 6: PIN 1. SOURCE 2. DRAIN 3. DRAIN 4. SOURCE 5. SOURCE 6. GATE 7. GATE 8. SOURCE</p> | <p>STYLE 7: PIN 1. INPUT 2. EXTERNAL BYPASS 3. THIRD STAGE SOURCE 4. GROUND 5. DRAIN 6. GATE 3 7. SECOND STAGE Vd 8. FIRST STAGE Vd</p> | <p>STYLE 8: PIN 1. COLLECTOR, DIE #1 2. BASE, #1 3. BASE, #2 4. COLLECTOR, #2 5. COLLECTOR, #2 6. EMITTER, #2 7. EMITTER, #1 8. COLLECTOR, #1</p> |
| <p>STYLE 9: PIN 1. EMITTER, COMMON 2. COLLECTOR, DIE #1 3. COLLECTOR, DIE #2 4. EMITTER, COMMON 5. EMITTER, COMMON 6. BASE, DIE #2 7. BASE, DIE #1 8. EMITTER, COMMON</p> | <p>STYLE 10: PIN 1. GROUND 2. BIAS 1 3. OUTPUT 4. GROUND 5. GROUND 6. BIAS 2 7. INPUT 8. GROUND</p> | <p>STYLE 11: PIN 1. SOURCE 1 2. GATE 1 3. SOURCE 2 4. GATE 2 5. DRAIN 2 6. DRAIN 2 7. DRAIN 1 8. DRAIN 1</p> | <p>STYLE 12: PIN 1. SOURCE 2. SOURCE 3. SOURCE 4. GATE 5. DRAIN 6. DRAIN 7. DRAIN 8. DRAIN</p> |
| <p>STYLE 13: PIN 1. N.C. 2. SOURCE 3. SOURCE 4. GATE 5. DRAIN 6. DRAIN 7. DRAIN 8. DRAIN</p> | <p>STYLE 14: PIN 1. N-SOURCE 2. N-GATE 3. P-SOURCE 4. P-GATE 5. P-DRAIN 6. P-DRAIN 7. N-DRAIN 8. N-DRAIN</p> | <p>STYLE 15: PIN 1. ANODE 1 2. ANODE 1 3. ANODE 1 4. ANODE 1 5. CATHODE, COMMON 6. CATHODE, COMMON 7. CATHODE, COMMON 8. CATHODE, COMMON</p> | <p>STYLE 16: PIN 1. EMITTER, DIE #1 2. BASE, DIE #1 3. EMITTER, DIE #2 4. BASE, DIE #2 5. COLLECTOR, DIE #2 6. COLLECTOR, DIE #2 7. COLLECTOR, DIE #1 8. COLLECTOR, DIE #1</p> |
| <p>STYLE 17: PIN 1. VCC 2. V2OUT 3. V1OUT 4. TXE 5. RXE 6. VEE 7. GND 8. ACC</p> | <p>STYLE 18: PIN 1. ANODE 2. ANODE 3. SOURCE 4. GATE 5. DRAIN 6. DRAIN 7. CATHODE 8. CATHODE</p> | <p>STYLE 19: PIN 1. SOURCE 1 2. GATE 1 3. SOURCE 2 4. GATE 2 5. DRAIN 2 6. MIRROR 2 7. DRAIN 1 8. MIRROR 1</p> | <p>STYLE 20: PIN 1. SOURCE (N) 2. GATE (N) 3. SOURCE (P) 4. GATE (P) 5. DRAIN 6. DRAIN 7. DRAIN 8. DRAIN</p> |
| <p>STYLE 21: PIN 1. CATHODE 1 2. CATHODE 2 3. CATHODE 3 4. CATHODE 4 5. CATHODE 5 6. COMMON ANODE 7. COMMON ANODE 8. CATHODE 6</p> | <p>STYLE 22: PIN 1. I/O LINE 1 2. COMMON CATHODE/VCC 3. COMMON CATHODE/VCC 4. I/O LINE 3 5. COMMON ANODE/GND 6. I/O LINE 4 7. I/O LINE 5 8. COMMON ANODE/GND</p> | <p>STYLE 23: PIN 1. LINE 1 IN 2. COMMON ANODE/GND 3. COMMON ANODE/GND 4. LINE 2 IN 5. LINE 2 OUT 6. COMMON ANODE/GND 7. COMMON ANODE/GND 8. LINE 1 OUT</p> | <p>STYLE 24: PIN 1. BASE 2. EMITTER 3. COLLECTOR/ANODE 4. COLLECTOR/ANODE 5. CATHODE 6. CATHODE 7. COLLECTOR/ANODE 8. COLLECTOR/ANODE</p> |
| <p>STYLE 25: PIN 1. VIN 2. N/C 3. REXT 4. GND 5. IOUT 6. IOUT 7. IOUT 8. IOUT</p> | <p>STYLE 26: PIN 1. GND 2. dv/dt 3. ENABLE 4. ILIMIT 5. SOURCE 6. SOURCE 7. SOURCE 8. VCC</p> | <p>STYLE 27: PIN 1. ILIMIT 2. OVLO 3. UVLO 4. INPUT+ 5. SOURCE 6. SOURCE 7. SOURCE 8. DRAIN</p> | <p>STYLE 28: PIN 1. SW_TO_GND 2. DASIC OFF 3. DASIC_SW_DET 4. GND 5. V_MON 6. VBULK 7. VBULK 8. VIN</p> |
| <p>STYLE 29: PIN 1. BASE, DIE #1 2. EMITTER, #1 3. BASE, #2 4. EMITTER, #2 5. COLLECTOR, #2 6. COLLECTOR, #2 7. COLLECTOR, #1 8. COLLECTOR, #1</p> | <p>STYLE 30: PIN 1. DRAIN 1 2. DRAIN 1 3. GATE 2 4. SOURCE 2 5. SOURCE 1/DRAIN 2 6. SOURCE 1/DRAIN 2 7. SOURCE 1/DRAIN 2 8. GATE 1</p> | | |

| | | |
|-------------------------|--------------------|---|
| DOCUMENT NUMBER: | 98ASB42564B | Electronic versions are uncontrolled except when accessed directly from the Document Repository. Printed versions are uncontrolled except when stamped "CONTROLLED COPY" in red. |
| DESCRIPTION: | SOIC-8 NB | PAGE 2 OF 2 |

ON Semiconductor and  are trademarks of Semiconductor Components Industries, LLC dba ON Semiconductor or its subsidiaries in the United States and/or other countries. ON Semiconductor reserves the right to make changes without further notice to any products herein. ON Semiconductor makes no warranty, representation or guarantee regarding the suitability of its products for any particular purpose, nor does ON Semiconductor assume any liability arising out of the application or use of any product or circuit, and specifically disclaims any and all liability, including without limitation special, consequential or incidental damages. ON Semiconductor does not convey any license under its patent rights nor the rights of others.

ON Semiconductor and  are trademarks of Semiconductor Components Industries, LLC dba ON Semiconductor or its subsidiaries in the United States and/or other countries. ON Semiconductor owns the rights to a number of patents, trademarks, copyrights, trade secrets, and other intellectual property. A listing of ON Semiconductor's product/patent coverage may be accessed at www.onsemi.com/site/pdf/Patent-Marking.pdf. ON Semiconductor reserves the right to make changes without further notice to any products herein. ON Semiconductor makes no warranty, representation or guarantee regarding the suitability of its products for any particular purpose, nor does ON Semiconductor assume any liability arising out of the application or use of any product or circuit, and specifically disclaims any and all liability, including without limitation special, consequential or incidental damages. Buyer is responsible for its products and applications using ON Semiconductor products, including compliance with all laws, regulations and safety requirements or standards, regardless of any support or applications information provided by ON Semiconductor. "Typical" parameters which may be provided in ON Semiconductor data sheets and/or specifications can and do vary in different applications and actual performance may vary over time. All operating parameters, including "Typicals" must be validated for each customer application by customer's technical experts. ON Semiconductor does not convey any license under its patent rights nor the rights of others. ON Semiconductor products are not designed, intended, or authorized for use as a critical component in life support systems or any FDA Class 3 medical devices or medical devices with a same or similar classification in a foreign jurisdiction or any devices intended for implantation in the human body. Should Buyer purchase or use ON Semiconductor products for any such unintended or unauthorized application, Buyer shall indemnify and hold ON Semiconductor and its officers, employees, subsidiaries, affiliates, and distributors harmless against all claims, costs, damages, and expenses, and reasonable attorney fees arising out of, directly or indirectly, any claim of personal injury or death associated with such unintended or unauthorized use, even if such claim alleges that ON Semiconductor was negligent regarding the design or manufacture of the part. ON Semiconductor is an Equal Opportunity/Affirmative Action Employer. This literature is subject to all applicable copyright laws and is not for resale in any manner.

PUBLICATION ORDERING INFORMATION

LITERATURE FULFILLMENT:

Email Requests to: orderlit@onsemi.com

ON Semiconductor Website: www.onsemi.com

TECHNICAL SUPPORT

North American Technical Support:
Voice Mail: 1 800-282-9855 Toll Free USA/Canada
Phone: 011 421 33 790 2910

Europe, Middle East and Africa Technical Support:

Phone: 00421 33 790 2910

For additional information, please contact your local Sales Representative