

ON Semiconductor

Is Now

onsemi™

To learn more about onsemi™, please visit our website at
www.onsemi.com

onsemi and **onsemi** and other names, marks, and brands are registered and/or common law trademarks of Semiconductor Components Industries, LLC dba "**onsemi**" or its affiliates and/or subsidiaries in the United States and/or other countries. **onsemi** owns the rights to a number of patents, trademarks, copyrights, trade secrets, and other intellectual property. A listing of **onsemi** product/patent coverage may be accessed at www.onsemi.com/site/pdf/Patent-Marking.pdf. **onsemi** reserves the right to make changes at any time to any products or information herein, without notice. The information herein is provided "as-is" and **onsemi** makes no warranty, representation or guarantee regarding the accuracy of the information, product features, availability, functionality, or suitability of its products for any particular purpose, nor does **onsemi** assume any liability arising out of the application or use of any product or circuit, and specifically disclaims any and all liability, including without limitation special, consequential or incidental damages. Buyer is responsible for its products and applications using **onsemi** products, including compliance with all laws, regulations and safety requirements or standards, regardless of any support or applications information provided by **onsemi**. "Typical" parameters which may be provided in **onsemi** data sheets and/or specifications can and do vary in different applications and actual performance may vary over time. All operating parameters, including "Typicals" must be validated for each customer application by customer's technical experts. **onsemi** does not convey any license under any of its intellectual property rights nor the rights of others. **onsemi** products are not designed, intended, or authorized for use as a critical component in life support systems or any FDA Class 3 medical devices or medical devices with a same or similar classification in a foreign jurisdiction or any devices intended for implantation in the human body. Should Buyer purchase or use **onsemi** products for any such unintended or unauthorized application, Buyer shall indemnify and hold **onsemi** and its officers, employees, subsidiaries, affiliates, and distributors harmless against all claims, costs, damages, and expenses, and reasonable attorney fees arising out of, directly or indirectly, any claim of personal injury or death associated with such unintended or unauthorized use, even if such claim alleges that **onsemi** was negligent regarding the design or manufacture of the part. **onsemi** is an Equal Opportunity/Affirmative Action Employer. This literature is subject to all applicable copyright laws and is not for resale in any manner. Other names and brands may be claimed as the property of others.

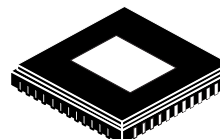
MT9V032

MT9V032 1/3-Inch Wide VGA CMOS Digital Image Sensor



ON Semiconductor®

www.onsemi.com



CLCC48 11.43 × 11.43
CASE 848AQ

Table 1. KEY PERFORMANCE PARAMETERS

| Parameter | Value |
|--------------------------------|-------------------------------------------------------|
| Optical Format | 1/3-inch |
| Active Imager Size | 4.51 mm (H) × 2.88 mm (V) 5.35 mm diagonal |
| Active Pixels | 752H × 480 V |
| Pixel Size | 6.0 μm × 6.0 μm |
| Color Filter Array | Monochrome or color RGB Bayer Pattern |
| Shutter Type | Global Shutter |
| Maximum Data Rate Master Clock | 26.6 MPS/26.6 MHz |
| Full Resolution | 752 × 480 |
| Frame Rate | 60 fps (at full resolution) |
| ADC Resolution | 10-bit column-parallel |
| Responsivity | 4.8 V/lux-sec (550 nm) |
| Dynamic Range | >55 dB; >80 dB-100dB in HDR mode |
| Supply Voltage | 3.3 V ± 0.3 V (all supplies) |
| Power Consumption | <320 mW at maximum data rate; 100 μW standby Power |
| Operating Temperature | -30°C to + 70°C |
| Packaging | 48-Pin CLCC |

Features

- Array Format: Wide-VGA, Active 752H x 480V (360,960 Pixels)
- Global Shutter Photodiode Pixels; Simultaneous Integration And Readout
- Monochrome Or Color: Near_IR Enhanced Performance For Use With Non-Visible NIR Illumination
- Readout Modes: Progressive Or Interlaced
- Shutter Efficiency: >99%
- Simple Two-Wire Serial Interface
- Register Lock Capability
- Window Size: User Programmable To Any Smaller Format (QVGA, CIF, QCIF, etc.). Data Rate Can Be Maintained Independent Of Window Size
- Binning: 2 x 2 And 4 x 4 Of The Full Resolution
- ADC: On-Chip, 10-bit Column-Parallel (Option To Operate In 12-bit To 10-bit Companding Mode)
- Automatic Controls: Auto Exposure Control (AEC) And Auto Gain Control (AGC); Variable Regional And Variable Weight AEC/AGC

ORDERING INFORMATION

See detailed ordering and shipping information on page 2 of this data sheet.

- Support For Four Unique Serial Control Register IDs To Control Multiple Imagers On The Same Bus
- Data Output Formats:
- Single Sensor Mode:
10-bit Parallel/Stand-Alone
8-bit Or 10-bit Serial LVDS
- Stereo Sensor Mode:
Interspersed 8-bit Serial LVDS

Applications

- Security
- High Dynamic Range Imaging
- Unattended Surveillance
- Stereo Vision
- Video As Input
- Machine Vision
- Automation

Table of Contents

| | |
|-----------------------------------------------------------|----|
| Ordering Information | 3 |
| General Description | 4 |
| Pixel Data Format | 8 |
| Color Device Limitations | 9 |
| Output Data Format | 10 |
| Serial Bus Description | 12 |
| Two-Wire Serial Interface Sample Read and Write Sequences | 14 |
| Registers | 16 |
| Feature Description | 31 |
| On-Chip Biases | 34 |
| Window Control | 35 |
| Blanking Control | 36 |
| Pixel Integration Control | 37 |
| Gain settings | 40 |
| Read Mode Options | 45 |
| Electrical Specifications | 50 |
| Temperature Reference | 55 |
| Appendix A – Serial Configurations | 57 |
| Appendix B – Power-On Reset and Standby Timing | 60 |

MT9V032

ORDERING INFORMATION

Table 2. AVAILABLE PART NUMBERS

| Part Number | Product Description | Orderable Product Attribute Description † |
|----------------------|------------------------------------|-------------------------------------------|
| MT9V032C12STCD3-GEVK | 48-pin CLCC demo3 kit (color) | |
| MT9V032C12STCD-GEVK | 48-pin CLCC demo kit (color) | |
| MT9V032C12STC-DP | 48-pin CLCC (color) | Dry Pack with Protective Film |
| MT9V032C12STC-DR | 48-pin CLCC (color) | Dry Pack without Protective Film |
| MT9V032C12STCH-GEVB | 48-pin CLCC headboard only (color) | |
| MT9V032C12STC-TP | 48-pin CLCC (color) | Tape & Reel with Protective Film |
| MT9V032C12STMD-GEVK | 48-pin CLCC demo kit (mono) | |
| MT9V032C12STM-DP | 48-pin CLCC (mono) | Dry Pack with Protective Film |
| MT9V032C12STM-DR | 48-pin CLCC (mono) | Dry Pack without Protective Film |
| MT9V032C12STMH-GEVB | 48-pin CLCC headboard only (mono) | |
| MT9V032C12STM-TP | 48-pin CLCC (mono) | Tape & Reel with Protective Film |

†For information on tape and reel specifications, including part orientation and tape sizes, please refer to our Tape and Reel Packaging Specification Brochure, BRD8011/D.

See the ON Semiconductor Device Nomenclature document ([TND310/D](#)) for a full description of the naming convention used for image sensors. For reference

documentation, including information on evaluation kits, please visit our web site at www.onsemi.com.

GENERAL DESCRIPTION

The ON Semiconductor MT9V032 is a 1/3-inch wide-VGA format CMOS active-pixel digital image sensor with global shutter and high dynamic range (HDR) operation. The sensor has specifically been designed to support the demanding interior and exterior surveillance imaging needs, which makes this part ideal for a wide variety of imaging applications in real-world environments.

This wide-VGA CMOS image sensor features ON Semiconductor’s breakthrough low-noise CMOS imaging technology that achieves CCD image quality (based on signal-to-noise ratio and low-light sensitivity) while maintaining the inherent size, cost, and integration advantages of CMOS.

The active imaging pixel array is 752H x 480V. It incorporates sophisticated camera functions on-chip—such as binning 2 x 2 and 4 x 4, to improve sensitivity when operating in smaller resolutions—as well as windowing,

column and row mirroring. It is programmable through a simple two-wire serial interface.

The MT9V032 can be operated in its default mode or be programmed for frame size, exposure, gain setting, and other parameters. The default mode outputs a wide-VGA-size image at 60 frames per second (fps).

An on-chip analog-to-digital converter (ADC) provides 10 bits per pixel. A 12-bit resolution companded for 10 bits for small signals can be alternatively enabled, allowing more accurate digitization for darker areas in the image.

In addition to a traditional, parallel logic output the MT9V032 also features a serial low-voltage differential signaling (LVDS) output. The sensor can be operated in a stereo-camera, and the sensor, designated as a stereo-master, is able to merge the data from itself and the stereo-slave sensor into one serial LVDS stream.

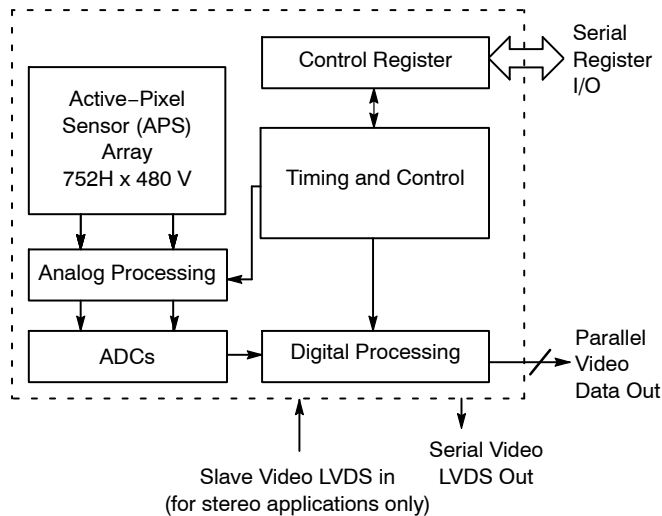


Figure 1. Block Diagram

MT9V032

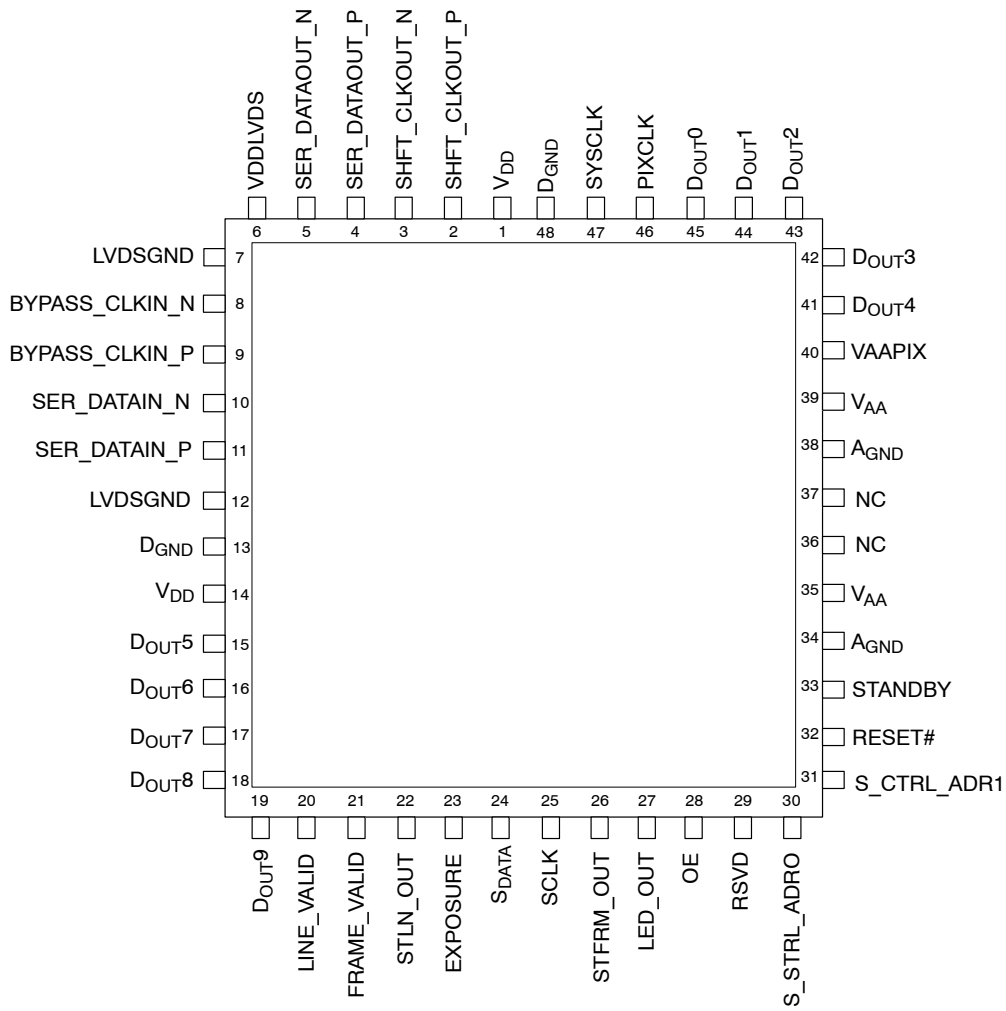


Figure 2. 48-Pin CLCC Pinout Diagram

Table 3. PIN DESCRIPTIONS (Only pins DOUT0 through DOUT9 may be tri-stated)

| 48-Pin LLCC Numbers | Symbol | Type | Descriptions | Note |
|---------------------|----------------|-------|-----------------------------------------------------------------------------------------------------------------------------------------|------|
| 29 | RSVD | Input | Connect to DGND. | 1 |
| 10 | SER_DATAIN_N | Input | Serial data in for stereoscopy (differential negative). Tie to 1kΩ pull-up (to 3.3V) in non-stereoscopy mode. | |
| 11 | SER_DATAIN_P | Input | Serial data in for stereoscopy (differential positive). Tie to DGND in non-stereoscopy mode. | |
| 8 | BYPASS_CLKIN_N | Input | Input bypass shift-CLK (differential negative). Tie to 1KΩ pull-up (to 3.3V) in non-stereoscopy mode. | |
| 9 | BYPASS_CLKIN_P | Input | Input bypass shift-CLK (differential positive). Tie to DGND in non-stereoscopy mode. | |
| 23 | EXPOSURE | Input | Rising edge starts exposure in slave mode. | |
| 25 | SCLK | Input | Two-wire serial interface clock. Connect to VDD with 1.5K resistor even when no other two-wire serial interface peripheral is attached. | |
| 28 | OE | Input | DOUT enable pad, active HIGH. | 2 |
| 30 | S_CTRL_ADR0 | Input | Two-wire serial interface slave address bit 3. | |
| 31 | S_CTRL_ADR1 | Input | Two-wire serial interface slave address bit 5. | |
| 32 | RESET# | Input | Asynchronous reset. All registers assume defaults. | |
| 33 | STANDBY | Input | Shut down sensor operation for power saving. | |

MT9V032

Table 3. PIN DESCRIPTIONS (Only pins DOUT0 through DOUT9 may be tri-stated)

| 48-Pin LLCC Numbers | Symbol | Type | Descriptions | Note |
|---------------------|---------------|--------|----------------------------------------------------------------------------------------------------------------------------------------|------|
| 47 | SYCLK | Input | Master clock (26.6 MHz). | |
| 24 | SDATA | I/O | Two-wire serial interface data. Connect to VDD with 1.5K resistor even when no other two-wire serial interface peripheral is attached. | |
| 22 | STLN_OUT | I/O | Output in master mode—start line sync to drive slave chip in-phase; input in slave mode. | |
| 26 | STFRM_OUT | I/O | Output in master mode—start frame sync to drive a slave chip in-phase; input in slave mode. | |
| 20 | LINE_VALID | Output | Asserted when DOUT data is valid. | |
| 21 | FRAME_VALID | Output | Asserted when DOUT data is valid. | |
| 15 | DOUT5 | Output | Parallel pixel data output 5. | |
| 16 | DOUT6 | Output | Parallel pixel data output 6. | |
| 17 | DOUT7 | Output | Parallel pixel data output 7. | |
| 18 | DOUT8 | Output | Parallel pixel data output 8. | |
| 19 | DOUT9 | Output | Parallel pixel data output 9. | |
| 27 | LED_OUT | Output | LED strobe output. | |
| 41 | DOUT4 | Output | Parallel pixel data output 4. | |
| 42 | DOUT3 | Output | Parallel pixel data output 3. | |
| 43 | DOUT2 | Output | Parallel pixel data output 2. | |
| 44 | DOUT1 | Output | Parallel pixel data output 1. | |
| 45 | DOUT0 | Output | Parallel pixel data output 0. | |
| 46 | PIXCLK | Output | Pixel clock out. DOUT is valid on rising edge of this clock. | |
| 2 | SHFT_CLKOUT_N | Output | Output shift CLK (differential negative). | |
| 3 | SHFT_CLKOUT_P | Output | Output shift CLK (differential positive). | |
| 4 | SER_DATAOUT_N | Output | Serial data out (differential negative). | |
| 5 | SER_DATAOUT_P | Output | Serial data out (differential positive). | |
| 1, 14 | VDD | Supply | Digital power 3.3V. | |
| 35, 39 | VAA | Supply | Analog power 3.3V. | |
| 40 | VAAPIX | Supply | Pixel power 3.3V. | |
| 6 | VDDLVDS | Supply | Dedicated power for LVDS pads. | |
| 7, 12 | LVDSGND | Ground | Dedicated GND for LVDS pads. | |
| 13, 48 | DGND | Ground | Digital GND. | |
| 34, 38 | AGND | Ground | Analog GND. | |
| 36, 37 | NC | NC | No connect. | 3 |

1. Pin 29 (RSVD) must be tied to GND
2. Output Enable (OE) tri-states signals DOUT0–DOUT9. No other signals are tri-stated with OE.
3. No connect. These pins must be left floating for proper operation.

MT9V032

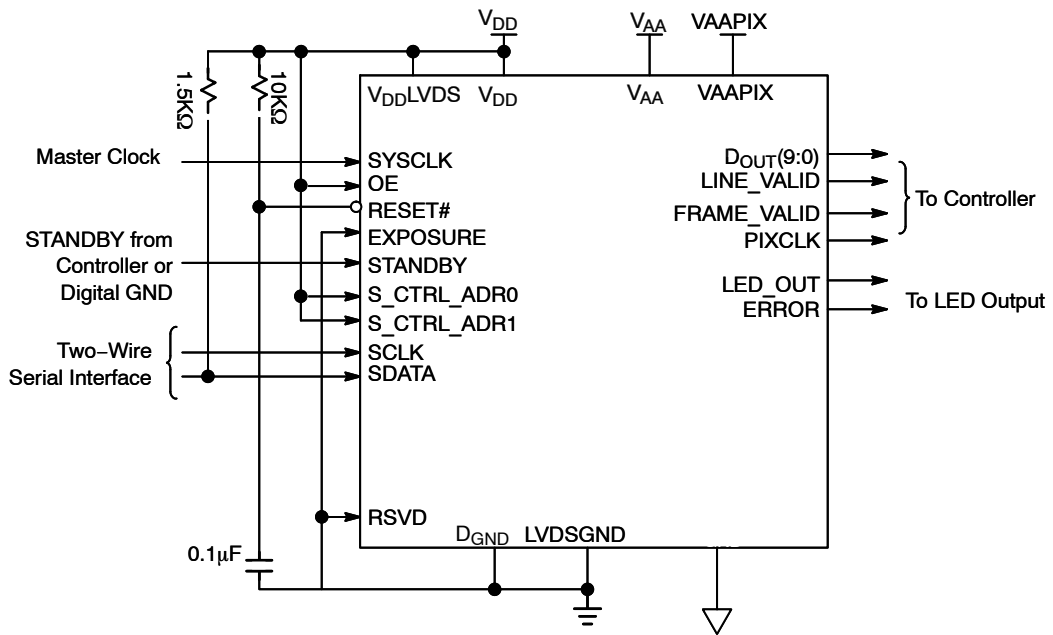


Figure 3. Typical Configuration (Connection)–Parallel Output Mode

PIXEL DATA FORMAT

Pixel Array Structure

The MT9V032 pixel array is configured as 782 columns by 492 rows, shown in Figure 4. The left 26 columns and the top eight rows of pixels are optically black and can be used to monitor the black level. The black row data is used internally for the automatic black level adjustment. However, the middle four black rows can also be read out by setting the sensor to raw data output mode. There are 753

columns by 481 rows of optically active pixels. The active area is surrounded with optically transparent dummy columns and rows to improve image uniformity within the active area. One additional active column and active row are used to allow horizontally and vertically mirrored readout to also start on the same color pixel.

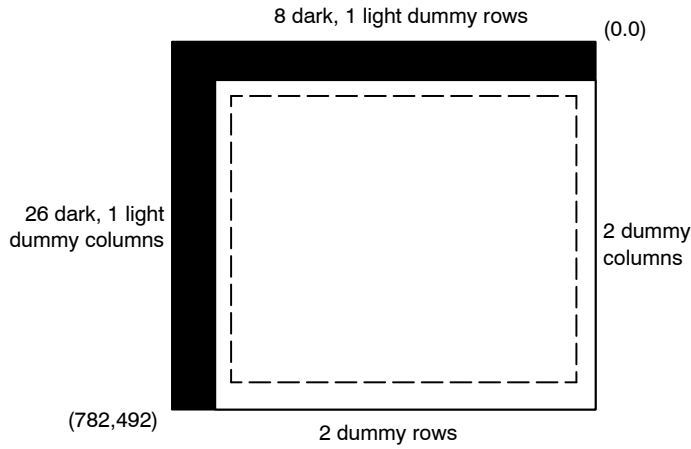


Figure 4. Pixel Array Description

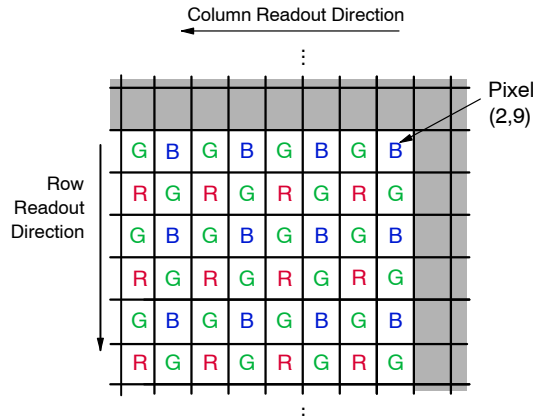


Figure 5. Pixel Color Pattern Detail (Top Right Corner)

COLOR DEVICE LIMITATIONS

The color version of the MT9V032 does not support or offers reduced performance for the following functionalities.

Pixel Binning

Pixel binning is done on immediate neighbor pixels only; no facility is provided to skip pixels according to a Bayer pattern. Therefore, the result of binning combines pixels of different colors. For more information, see “Pixel Binning”.

Interlaced Readout

Interlaced readout yields one field consisting only of red and green pixels and another consisting only of blue and green pixels. This is due to the Bayer pattern of the CFA.

Automatic Black Level Calibration

When the color bit is set ($R0x0F[2]=1$), the sensor uses GREEN1 pixels black level correction value, which is applied to all colors. To use calibration value based on all dark pixels offset values, the color bit should be cleared.

Other Limiting Factors

Black level correction and row-wise noise correction are applied uniformly to each color. Automatic exposure and gain control calculations are made based on all three colors, not just the green luma channel. High dynamic range does operate; however, ON Semiconductor strongly recommends limiting use to linear operation if good color fidelity is required.

OUTPUT DATA FORMAT

The MT9V032 image data can be read out in a progressive scan or interlaced scan mode. Valid image data is surrounded by horizontal and vertical blanking, as shown in Figure 6. The amount of horizontal and vertical blanking is

programmable through R0x05 and R0x06, respectively. LINE_VALID is HIGH during the shaded region of the figure. See “Output Data Timing” for the description of FRAME_VALID timing.

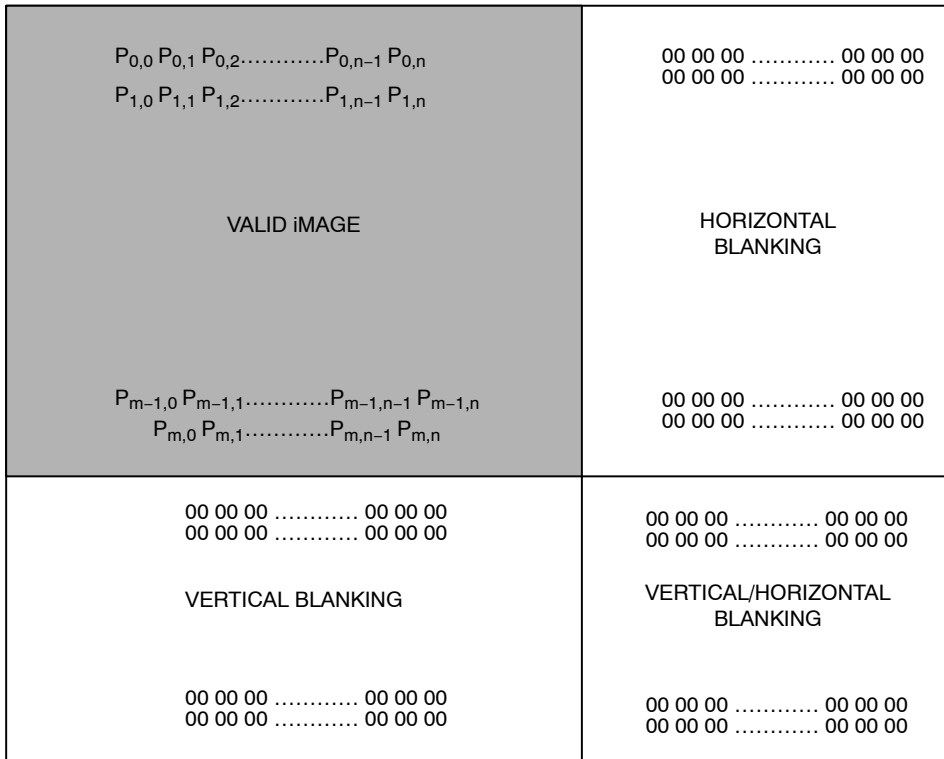


Figure 6. Spatial Illustration of Image Readout

Output Data Timing

The data output of the MT9V032 is synchronized with the PIXCLK output. When LINE_VALID is HIGH, one 10-bit pixel datum is output every PIXCLK period.

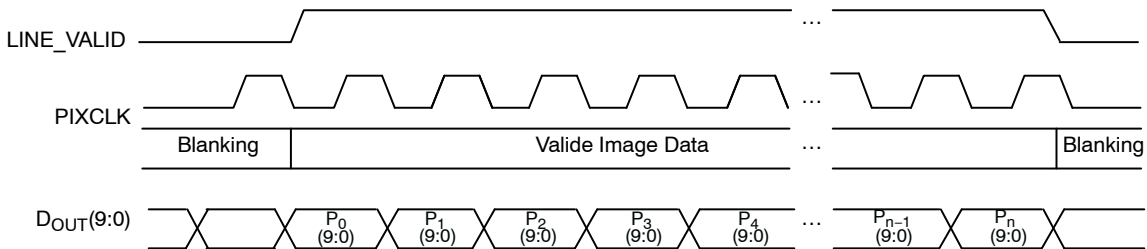


Figure 7. Timing Example of Pixel Data

The PIXCLK is a nominally inverted version of the master clock (SYSCLK). This allows PIXCLK to be used as a clock to latch the data. However, when column bin 2 is enabled, the PIXCLK is HIGH for one complete master clock period and then LOW for one complete master clock period; when column bin 4 is enabled, the PIXCLK is HIGH for two

complete master clock periods and then LOW for two complete master clock periods. It is continuously enabled, even during the blanking period. Setting R0x74 bit[4] = 1 causes the MT9V032 to invert the polarity of the PIXCLK.

The parameters P1, A, Q, and P2 in Figure 8 are defined in Table 4.

MT9V032

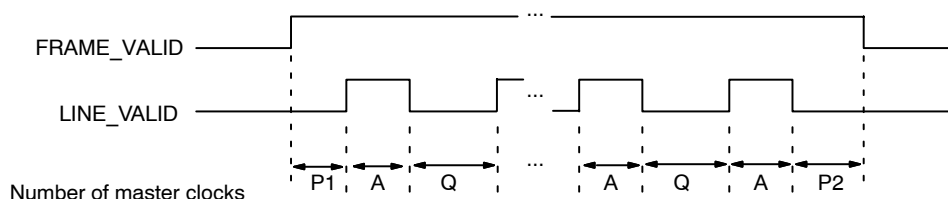


Figure 8. Row Timing and FRAME_VALID/LINE_VALID Signals

Table 4. FRAME TIME – LARGER THAN ONE FRAME

| Parameter | Name | Equation | Default Timing at 26.66 MHz |
|------------------------|----------------------|------------------------------|----------------------------------------------------|
| A | Active data time | R0x04 | 752 pixel clocks = 752 master = 28.20 μ s |
| P1 | Frame start blanking | R0x05 – 23 | 71 pixel clocks = 71 master = 2.66 μ s |
| P2 | Frame end blanking | 23 (fixed) | 23 pixel clocks = 23 master = 0.86 μ s |
| Q | Horizontal blanking | R0x05 | 94 pixel clocks = 94 master = 3.52 μ s |
| A+Q | Row time | R0x04 + R0x05 | 846 pixel clocks = 846 master = 31.72 μ s |
| V | Vertical blanking | (R0x06) \times (A + Q) + 4 | 38,074 pixel clocks = 38,074 master = 1.43ms |
| Nrows \times (A + Q) | Frame valid time | (R0x03) \times (A + Q) | 406,080 pixel clocks = 406,080 master = 15.23ms |
| F | Total frame time | V + (Nrows \times (A + Q)) | 444,154 pixel clocks = 444,154 master = 16.66ms |

Sensor timing is shown above in terms of pixel clock and master clock cycles (refer to Figure 7). The recommended master clock frequency is 26.66 MHz. The vertical blanking and total frame time equations assume that the number of integration rows (bits 11 through 0 of R0x0B) is less than the number of active rows plus blanking rows minus overhead rows (R0x03 + R0x06 – 2). If this is not the case, the number of integration rows must be used instead to determine the frame time, as shown in Table 5. In this example it is

assumed that R0x0B is programmed with 523 rows. For Simultaneous Mode, if the exposure time register (0x0B) exceeds the total readout time, then vertical blanking is internally extended automatically to adjust for the additional integration exposure time required. This extended value is **not** written back to R0x06 (vertical blanking). R0x06 can be used to adjust frame to frame readout time. This register does not affect the exposure time but it may extend the readout time.

Table 5. FRAME TIME – LONG INTEGRATION TIME

| Parameter | Name | Equation (Number of Master Clock Cycles) | Default Timing at 26.66 MHz |
|-----------|---------------------------------------------------|---------------------------------------------|----------------------------------------------------|
| V' | Vertical blanking (long integration time) | (R0x0B + 2 – R0x03) \times (A + Q) + 4 | 38,074 pixel clocks = 38,074 master = 1.43ms |
| F'' | Total frame time (long integration exposure time) | (R0x0B + 2) \times (A + Q) + 4 | 444,154 pixel clocks = 444,154 master = 16.66ms |

4. The MT9V032 uses column parallel analog-to-digital converters, thus short row timing is not possible. The minimum total row time is 660 columns (horizontal width + horizontal blanking). The minimum horizontal blanking is 43. When the window width is set below 617, horizontal blanking must be increased. The frame rate will not increase for row times less than 660 columns.

SERIAL BUS DESCRIPTION

Registers are written to and read from the MT9V032 through the two-wire serial interface bus. The MT9V032 is a serial interface slave with four possible IDs (0x90, 0x98, 0xB0, and 0xB8) determined by the S_CTRL_ADR0 and S_CTRL_ADR1 input pins. Data is transferred into the MT9V032 and out through the serial data (SDATA) line. The SDATA line is pulled up to VDD off-chip by a 1.5KΩ resistor. Either the slave or master device can pull the SDATA line

- a start bit
- the slave device 8-bit address
- a(n) (no) acknowledge bit
- an 8-bit message
- a stop bit

Sequence

A typical read or write sequence begins by the master sending a start bit. After the start bit, the master sends the slave device's 8-bit address. The last bit of the address determines if the request is a read or a write, where a "0" indicates a write and a "1" indicates a read. The slave device acknowledges its address by sending an acknowledge bit back to the master.

If the request was a write, the master then transfers the 8-bit register address to which a write should take place. The slave sends an acknowledge bit to indicate that the register address has been received. The master then transfers the data 8 bits at a time, with the slave sending an acknowledge bit after each 8 bits. The MT9V032 uses 16-bit data for its internal registers, thus requiring two 8-bit transfers to write to one register. After 16 bits are transferred, the register address is automatically incremented, so that the next 16 bits are written to the next register address. The master stops writing by sending a start or stop bit.

A typical read sequence is executed as follows. First the master sends the write mode slave address and 8-bit register address, just as in the write request. The master then sends a start bit and the read mode slave address. The master then clocks out the register data 8 bits at a time. The master sends an acknowledge bit after each 8-bit transfer. The register address is auto-incremented after every 16 bits is transferred. The data transfer is stopped when the master

down—the serial interface protocol determines which device is allowed to pull the SDATA line down at any given time. The registers are 16-bit wide, and can be accessed through 16- or 8-bit two-wire serial interface sequences.

Protocol

The two-wire serial interface defines several different transmission codes, as follows:

sends a no-acknowledge bit. The MT9V032 allows for 8-bit data transfers through the two-wire serial interface by writing (or reading) the most significant 8 bits to the register and then writing (or reading) the least significant 8 bits to R0xF0 (240).

Bus Idle State

The bus is idle when both the data and clock lines are HIGH. Control of the bus is initiated with a start bit, and the bus is released with a stop bit. Only the master can generate the start and stop bits.

Start Bit

The start bit is defined as a HIGH-to-LOW transition of the data line while the clock line is HIGH.

Stop Bit

The stop bit is defined as a LOW-to-HIGH transition of the data line while the clock line is HIGH.

Slave Address

The 8-bit address of a two-wire serial interface device consists of 7 bits of address and 1 bit of direction. A "0" in the LSB of the address indicates write mode, and a "1" indicates read mode. As indicated above, the MT9V032 allows four possible slave addresses determined by the two input pins, S_CTRL_ADR0 and S_CTRL_ADR1.

Table 6. SLAVE ADDRESS MODES

| {S_CTRL_ADR1, S_CTRL_ADR0} | Slave Address | Write/Read Mode |
|----------------------------|---------------|-----------------|
| 00 | 0x90 | Write |
| | 0x91 | Read |
| 01 | 0x98 | Write |
| | 0x99 | Read |
| 10 | 0xB0 | Write |
| | 0xB1 | Read |
| 11 | 0xB8 | Write |
| | 0xB9 | Read |

Data Bit Transfer

One data bit is transferred during each clock pulse. The two-wire serial interface clock pulse is provided by the master. The data must be stable during the HIGH period of the serial clock—it can only change when the two-wire serial interface clock is LOW. Data is transferred 8 bits at a time, followed by an acknowledge bit.

Acknowledge Bit

The master generates the acknowledge clock pulse. The transmitter (which is the master when writing, or the slave

when reading) releases the data line, and the receiver indicates an acknowledge bit by pulling the data line LOW during the acknowledge clock pulse.

No-Acknowledge Bit

The no-acknowledge bit is generated when the data line is not pulled down by the receiver during the acknowledge clock pulse. A no-acknowledge bit is used to terminate a read sequence.

TWO-WIRE SERIAL INTERFACE SAMPLE READ AND WRITE SEQUENCES

16-Bit Write Sequence

A typical write sequence for writing 16 bits to a register is shown in Figure 9. A start bit given by the master, followed by the write address, starts the sequence. The image sensor then gives an acknowledge bit and expects the register address to come first, followed by the 16-bit data. After each 8-bit word is sent, the image sensor gives an acknowledge

bit. All 16 bits must be written before the register is updated. After 16 bits are transferred, the register address is automatically incremented, so that the next 16 bits are written to the next register. The master stops writing by sending a start or stop bit.

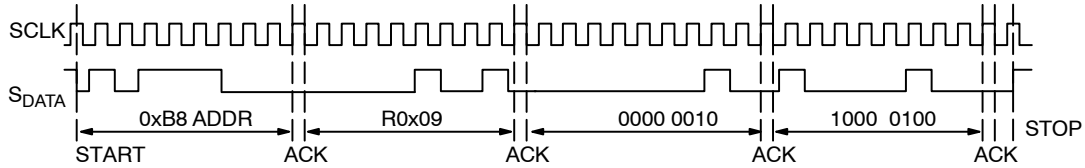


Figure 9. Timing Diagram Showing a Write to R0x09 with Value 0x0284

16-Bit Read Sequence

A typical read sequence is shown in Figure 10. First the master has to write the register address, as in a write sequence. Then a start bit and the read address specify that a read is about to happen from the register. The master then

clocks out the register data 8 bits at a time. The master sends an acknowledge bit after each 8-bit transfer. The register address is auto-incremented after every 16 bits is transferred. The data transfer is stopped when the master sends a no-acknowledge bit.

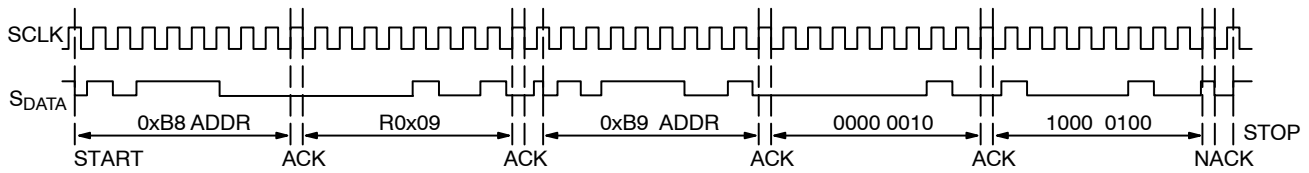


Figure 10. Timing Diagram Showing a Read from R0x09; Returned Value 0x0284

8-Bit Write Sequence

To be able to write 1 byte at a time to the register, a special register address is added. The 8-bit write is done by first writing the upper 8 bits to the desired register and then writing the lower 8 bits to the special register address

(R0xF0). The register is not updated until all 16 bits have been written. It is not possible to just update half of a register. In Figure 11, a typical sequence for 8-bit writing is shown. The second byte is written to the special register (R0xF0).

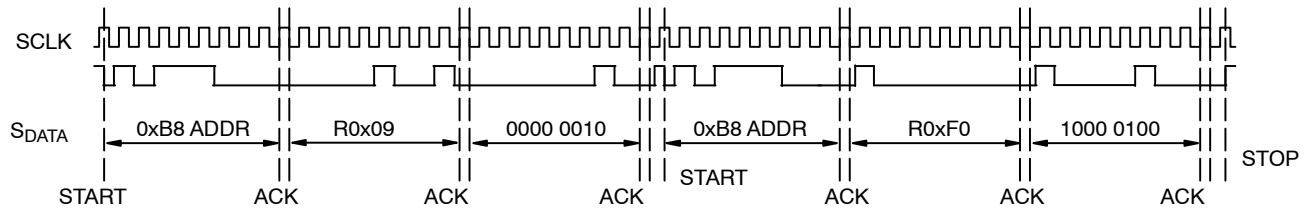


Figure 11. Timing Diagram Showing a Byte-wise Write to R0x09 with Value 0x0284

8-Bit Read Sequence

To read one byte at a time the same special register address is used for the lower byte. The upper 8 bits are read from the desired register. By following this with a read from the

special register (R0xF1) the lower 8 bits are accessed (Figure 12). The master sets the no-acknowledge bits shown.

MT9V032

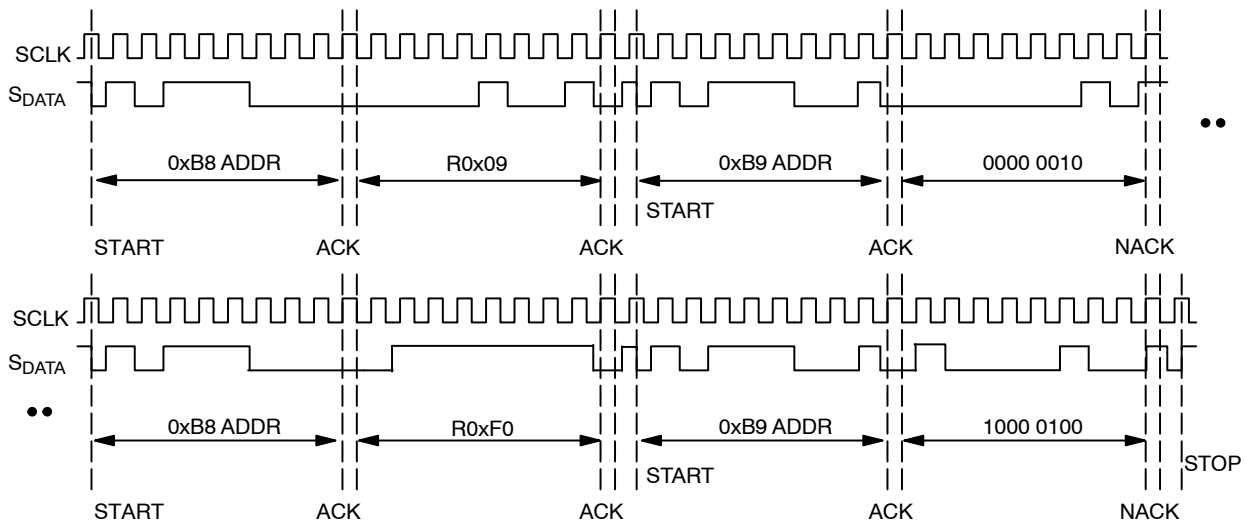


Figure 12. Timing Diagram Showing a Byte-wise Read from R0x09; Returned Value 0x0284

Register Lock

Included in the MT9V032 is a register lock (R0xFE) feature that can be used as a solution to reduce the probability of an inadvertent noise-triggered two-wire serial interface write to the sensor. All registers (or read mode register—register 13 only) can be locked.

At power-up, the register lock defaults to a value of 0xBEEF, which implies that all registers are unlocked and any two-wire serial interface writes to the register get committed.

Lock All Registers

If a unique pattern (0xDEAD) to R0xFE is programmed, any subsequent two-wire serial interface writes to registers

(except R0xFE) are NOT committed. Alternatively, if the user writes a 0xBEEF to the register lock register, all registers are unlocked and any subsequent two-wire serial interface writes to the register are committed.

Lock Read More Register Only (R0x0D)

If a unique pattern (0xDEAF) to R0xFE is programmed, any subsequent two-wire serial interface writes to register 13 are NOT committed. Alternatively, if the user writes a 0xBEEF to register lock register, register 13 is unlocked and any subsequent two-wire serial interface writes to this register are committed.

REGISTERS

CAUTION: Writing and changing the value of a reserved register (word or bit) puts the device in an unknown state and may damage the device.

Table 7 provides default register descriptions of the registers.

Table 8 provides detailed descriptions of the registers.

Table 7. DEFAULT REGISTER DESCRIPTIONS (1 = always 1; 0 = always 0; d = programmable; ? = read only)

| Register # (Hex) | Description | Data Format (Binary) | Default Value (Hex) |
|------------------|----------------------|----------------------------|-------------------------------------------------------|
| 0x00 | Chip Version | 0001 0011 0001 00001 (LSB) | Iter. 1: 0x1311 Iter. 2: 0x1311 Iter. 3: 0x1313 |
| 0x01 | Column Start | 0000 00dd dddd dddd | 0x0001 |
| 0x02 | Row Start | 0000 000d dddd dddd | 0x0004 |
| 0x03 | Window Height | 0000 000d dddd dddd | 0x01E0 |
| 0x04 | Window Width | 0000 00dd dddd dddd | 0x02F0 |
| 0x05 | Horizontal Blanking | 0000 00dd dddd dddd | 0x005E |
| 0x06 | Vertical Blanking | 0ddd dddd dddd dddd | 0x002D |
| 0x07 | Chip Control | 0000 dddd dddd dddd | 0x0388 |
| 0x08 | Shutter Width 1 | 0ddd dddd dddd dddd | 0x01BB |
| 0x09 | Shutter Width 2 | 0ddd dddd dddd dddd | 0x01D9 |
| 0x0A | Shutter Width Ctrl | 0000 00dd dddd dddd | 0x0164 |
| 0x0B | Total Shutter Width | 0ddd dddd dddd dddd | 0x01E0 |
| 0x0C | Reset | 0000 0000 0000 00dd | 0x0000 |
| 0x0D | Read Mode | 0000 0011 dddd dddd | 0x0300 |
| 0x0E | Monitor Mode | 0000 0000 0000 000d | 0x0000 |
| 0x0F | Pixel Operation Mode | 0000 0000 dddd dddd | 0x0011 |
| 0x10 | Reserved | – | 0x0040 |
| 0x11 | Reserved | – | 0x8042 |
| 0x12 | Reserved | – | 0x0022 |
| 0x13 | Reserved | – | 0x2D32 |
| 0x14 | Reserved | – | 0x0E02 |
| 0x15 | Reserved | – | 0x7F32 |
| 0x16 | Reserved | – | 0x2802 |
| 0x17 | Reserved | – | 0x3E38 |
| 0x18 | Reserved | – | 0x3E38 |
| 0x19 | Reserved | – | 0x2802 |
| 0x1A | Reserved | – | 0x0428 |
| 0x1B | LED_OUT Ctrl | 0000 0000 0000 00dd | 0x0000 |
| 0x1C | ADC Mode Control | 0000 0000 0000 00dd | 0x0002 |
| 0x1D | Reserved | – | 0x0000 |
| 0x1E | Reserved | – | 0x0000 |
| 0x1F | Reserved | – | 0x0000 |
| 0x20 | Reserved | – | 0x01D1 |
| 0x21 | Reserved | – | 0x0020 |
| 0x22 | Reserved | – | 0x0020 |
| 0x23 | Reserved | – | 0x0010 |

MT9V032

Table 7. DEFAULT REGISTER DESCRIPTIONS (continued) (1 = always 1; 0 = always 0; d = programmable; ? = read only)

| Register # (Hex) | Description | Data Format (Binary) | Default Value (Hex) |
|------------------|-----------------------|----------------------|---------------------|
| 0x24 | Reserved | – | 0x0010 |
| 0x25 | Reserved | – | 0x0020 |
| 0x26 | Reserved | – | 0x0010 |
| 0x27 | Reserved | – | 0x0010 |
| 0x28 | Reserved | – | 0x0010 |
| 0x29 | Reserved | – | 0x0010 |
| 0x2A | Reserved | – | 0x0020 |
| 0x2B | Reserved | – | 0x0004 |
| 0x2C | VREF_ADC Control | 0000 0000 0000 0ddd | 0x0840 |
| 0x2D | Reserved | – | 0x0004 |
| 0x2E | Reserved | – | 0x0007 |
| 0x2F | Reserved | – | 0x0004 |
| 0x30 | Reserved | – | 0x0003 |
| 0x31 | V1 | 0000 0000 000d dddd | 0x001D |
| 0x32 | V2 | 0000 0000 000d dddd | 0x0018 |
| 0x33 | V3 | 0000 0000 000d dddd | 0x0015 |
| 0x34 | V4 | 0000 0000 000d dddd | 0x0004 |
| 0x35 | Analog Gain | 0000 0000 0ddd dddd | 0x0010 |
| 0x36 | Max Analog Gain | 0000 0000 0ddd dddd | 0x0040 |
| 0x37 | Reserved | – | 0x0000 |
| 0x38 | Reserved | – | 0x0000 |
| 0x42 | Frame Dark Average | 0000 0000 ???? ???? | RO |
| 0x46 | Dark Avg Thresholds | dddd dddd dddd dddd | 0x231D |
| 0x47 | BL Calib Control | 1000 0000 ddd0 000d | 0x8080 |
| 0x48 | BL Calibration Value | 0000 0000 dddd dddd | 0x0000 |
| 0x4C | BL Calib Step Size | 0000 0000 000d dddd | 0x0002 |
| 0x60 | Reserved | – | 0x0000 |
| 0x61 | Reserved | – | 0x0000 |
| 0x62 | Reserved | – | 0x0000 |
| 0x63 | Reserved | – | 0x0000 |
| 0x64 | Reserved | – | 0x0000 |
| 0x65 | Reserved | – | 0x0000 |
| 0x66 | Reserved | – | 0x0000 |
| 0x67 | Reserved | – | 0x0000 |
| 0x68 | Reserved | – | RO |
| 0x69 | Reserved | – | RO |
| 0x6A | Reserved | – | RO |
| 0x6B | Reserved | – | RO |
| 0x6C | Reserved | – | 0x0000 |
| 0x70 | Row Noise Corr Ctrl 1 | 0000 d000 00d1 dddd | 0x0034 |
| 0x71 | Reserved | – | 0x0000 |
| 0x72 | Row Noise Constant | 0000 0000 dddd dddd | 0x002A |

MT9V032

Table 7. DEFAULT REGISTER DESCRIPTIONS (continued) (1 = always 1; 0 = always 0; d = programmable; ? = read only)

| Register # (Hex) | Description | Data Format (Binary) | Default Value (Hex) |
|------------------|------------------------|----------------------|---------------------|
| 0x73 | Row Noise Corr Ctrl 2 | 0000 00dd dddd dddd | 0x02F7 |
| 0x74 | Pixclk, FV, LV | 0000 0000 000d dddd | 0x0000 |
| 0x7F | Digital Test Pattern | 0ddd ddd dddd dddd | 0x0000 |
| 0x80 | Tile Weight/Gain X0_Y0 | 0000 0000 dddd dddd | 0x00F4 |
| 0x81 | Tile Weight/Gain X1_Y0 | 0000 0000 dddd dddd | 0x00F4 |
| 0x82 | Tile Weight/Gain X2_Y0 | 0000 0000 dddd dddd | 0x00F4 |
| 0x83 | Tile Weight/Gain X3_Y0 | 0000 0000 dddd dddd | 0x00F4 |
| 0x84 | Tile Weight/Gain X4_Y0 | 0000 0000 dddd dddd | 0x00F4 |
| 0x85 | Tile Weight/Gain X0_Y1 | 0000 0000 dddd dddd | 0x00F4 |
| 0x86 | Tile Weight/Gain X1_Y1 | 0000 0000 dddd dddd | 0x00F4 |
| 0x87 | Tile Weight/Gain X2_Y1 | 0000 0000 dddd dddd | 0x00F4 |
| 0x88 | Tile Weight/Gain X3_Y1 | 0000 0000 dddd dddd | 0x00F4 |
| 0x89 | Tile Weight/Gain X4_Y1 | 0000 0000 dddd dddd | 0x00F4 |
| 0x8A | Tile Weight/Gain X0_Y2 | 0000 0000 dddd dddd | 0x00F4 |
| 0x8B | Tile Weight/Gain X1_Y2 | 0000 0000 dddd dddd | 0x00F4 |
| 0x8C | Tile Weight/Gain X2_Y2 | 0000 0000 dddd dddd | 0x00F4 |
| 0x8D | Tile Weight/Gain X3_Y2 | 0000 0000 dddd dddd | 0x00F4 |
| 0x8E | Tile Weight/Gain X4_Y2 | 0000 0000 dddd dddd | 0x00F4 |
| 0x8F | Tile Weight/Gain X0_Y3 | 0000 0000 dddd dddd | 0x00F4 |
| 0x90 | Tile Weight/Gain X1_Y3 | 0000 0000 dddd dddd | 0x00F4 |
| 0x91 | Tile Weight/Gain X2_Y3 | 0000 0000 dddd dddd | 0x00F4 |
| 0x92 | Tile Weight/Gain X3_Y3 | 0000 0000 dddd dddd | 0x00F4 |
| 0x93 | Tile Weight/Gain X4_Y3 | 0000 0000 dddd dddd | 0x00F4 |
| 0x94 | Tile Weight/Gain X0_Y4 | 0000 0000 dddd dddd | 0x00F4 |
| 0x95 | Tile Weight/Gain X1_Y4 | 0000 0000 dddd dddd | 0x00F4 |
| 0x96 | Tile Weight/Gain X2_Y4 | 0000 0000 dddd dddd | 0x00F4 |
| 0x97 | Tile Weight/Gain X3_Y4 | 0000 0000 dddd dddd | 0x00F4 |
| 0x98 | Tile Weight/Gain X4_Y4 | 0000 0000 dddd dddd | 0x00F4 |
| 0x99 | Tile Coord. X 0/5 | 0000 00dd dddd dddd | 0x0000 |
| 0x9A | Tile Coord. X 1/5 | 0000 00dd dddd dddd | 0x0096 |
| 0x9B | Tile Coord. X 2/5 | 0000 00dd dddd dddd | 0x012C |
| 0x9C | Tile Coord. X 3/5 | 0000 00dd dddd dddd | 0x01C2 |
| 0x9D | Tile Coord. X 4/5 | 0000 00dd dddd dddd | 0x0258 |
| 0x9E | Tile Coord. X 5/5 | 0000 00dd dddd dddd | 0x02F0 |
| 0x9F | Tile Coord. Y 0/5 | 0000 000d dddd dddd | 0x0000 |
| 0xA0 | Tile Coord. Y 1/5 | 0000 000d dddd dddd | 0x0060 |
| 0xA1 | Tile Coord. Y 2/5 | 0000 000d dddd dddd | 0x00C0 |
| 0xA2 | Tile Coord. Y 3/5 | 0000 000d dddd dddd | 0x0120 |
| 0xA3 | Tile Coord. Y 4/5 | 0000 000d dddd dddd | 0x0180 |
| 0xA4 | Tile Coord. Y 5/5 | 0000 000d dddd dddd | 0x01E0 |
| 0xA5 | AEC/AGC Desired Bin | 0000 0000 00dd dddd | 0x003A |
| 0xA6 | AEC Update Frequency | 0000 0000 0000 dddd | 0x0002 |

MT9V032

Table 7. DEFAULT REGISTER DESCRIPTIONS (continued) (1 = always 1; 0 = always 0; d = programmable; ? = read only)

| Register # (Hex) | Description | Data Format (Binary) | Default Value (Hex) |
|------------------|----------------------------------|----------------------|-------------------------------------------------------|
| 0xA7 | Reserved | – | 0x0000 |
| 0xA8 | AEC LPF | 0000 0000 0000 00dd | 0x0000 |
| 0xA9 | AGC Update Frequency | 0000 0000 0000 dddd | 0x0002 |
| 0xAA | Reserved | – | 0x0000 |
| 0xAB | AGC LPF | 0000 0000 0000 00dd | 0x0002 |
| 0xAF | AEC/AGC Enable | 0000 0000 0000 00dd | 0x0003 |
| 0xB0 | AEC/AGC Pix Count | dddd dddd dddd dddd | 0xABE0 |
| 0xB1 | LVDS Master Ctrl | 0000 0000 0000 dddd | 0x0002 |
| 0xB2 | LVDS Shift Clk Ctrl | 0000 0000 000d 0ddd | 0x0010 |
| 0xB3 | LVDS Data Ctrl | 0000 0000 000d 0ddd | 0x0010 |
| 0xB4 | Data Stream Latency | 0000 0000 0000 00dd | 0x0000 |
| 0xB5 | LVDS Internal Sync | 0000 0000 0000 000d | 0x0000 |
| 0xB6 | LVDS Payload Control | 0000 0000 0000 000d | 0x0000 |
| 0xB7 | Stereoscop. Error Ctrl | 0000 0000 0000 0ddd | 0x0000 |
| 0xB8 | Stereoscop. Error Flag | 0000 0000 0000 000? | RO |
| 0xB9 | LVDS Data Output | ???? ???? ???? ???? | RO |
| 0xBA | AGC Gain Output | 0000 0000 0??? ???? | RO |
| 0xBB | AEC Gain Output | ???? ???? ???? ???? | RO |
| 0xBC | AGC/AEC Current Bin | 0000 0000 00?? ???? | RO |
| 0xBD | Maximum Shutter Width | dddd dddd dddd dddd | 0x01E0 |
| 0xBE | AGC/AEC Bin Difference Threshold | 0000 0000 dddd dddd | 0x0014 |
| 0xBF | Field Blank | 0000 000d dddd dddd | 0x0016 |
| 0xC0 | Mon Mode Capture Ctrl | 0000 0000 dddd dddd | 0x000A |
| 0xC1 | Temperature | 0000 00?? ???? ???? | RO |
| 0xC2 | Analog Controls | dddd dddd dddd dddd | 0x0840 |
| 0xC3 | NTSC FV & LV Ctrl | 0000 0000 0000 00dd | 0x03840 |
| 0xC4 | NTSC Horiz Blank Ctrl | dddd dddd dddd dddd | 0x4416 |
| 0xC5 | NTSC Vert Blank Ctrl | dddd dddd dddd dddd | 0x4421 |
| 0xF0 | Byte-wise Addr | – | 0x0000 |
| 0xF1 | Reserved | – | Reserved |
| 0xFE | Register Lock | dddd dddd dddd dddd | 0xBEEF |
| 0xFF | Chip Version | 0001 0011 0000 0000 | Iter. 1: 0x1311 Iter. 2: 0x1311 Iter. 3: 0x1313 |

Shadowed Registers

Some sensor settings cannot be changed during frame readout. For example, changing the register Window Width (R0x04) part way through frame readout results in inconsistent LINE_VALID behavior. To avoid this, the MT9V032 double buffers many registers by implementing a “pending” and a “live” version. Two-wire serial interface reads and writes access the pending register. The live register controls the sensor operation. The value in the pending register is transferred to a live register at a fixed point in the frame timing, called “frame-start.” Frame-start is defined as the point at which the first dark row is read out. By default, this occurs four row times before FRAME_VALID goes HIGH. To determine which registers or register fields are double-buffered in this way, see the “Shadowed” column in Table 8.

- **Shadowed**
 N = No. The register value is updated and used immediately.
 Y = Yes. The register value is updated at next frame start. Frame start is defined as when the first dark row is read out. By default this is four rows before FRAME_VALID goes HIGH.
- **Read/Write**
 R = Read-only register/bit.
 W = Read/Write register/bit.

Table 8 provides a detailed description of the registers. Bit fields that are not identified in the table are read only.

Table 8. REGISTER DESCRIPTIONS

| Bit | Bit Name | Bit Description | Default in Hex (Dec) | Shadowed | Legal Values (Dec) | Read/Write |
|---------------------------------------|---------------------|----------------------------------------------------------------------------------------------------------------------------------------------------------------------------------------------------------------------------------------------------|----------------------------------------------------------------------------|----------|--------------------|------------|
| 0X00/0XFF (0/255) CHIP VERSION | | | | | | |
| 15:0 | Chip Version | Chip version—read-only | Iter. 1: 0x1311 (4881) Iter. 2: 0x1311 (4881) Iter. 3: 0x1313 (4883) | | | R |
| 0X01 (1) COLUMN START | | | | | | |
| 9:0 | Column Start | The first column to be read out (not counting dark columns that may be read). To window the image down, set this register to the starting X value. Readable/active columns are 1–752. | 1 | Y | 1–752 | W |
| 0X02 (2) ROW START | | | | | | |
| 8:0 | Row Start | The first row to be read out (not counting any dark rows that may be read). To window the image down, set this register to the starting Y value. Setting a value less than four is not recommended since the dark rows should be read using R0x0D. | 4 | Y | 4–482 | W |
| 0X03 (3) WINDOW HEIGHT | | | | | | |
| 8:0 | Window Height | Number of rows in the image to be read out (not counting any dark rows or border rows that may be read). | 1E0 (480) | Y | 1–480 | W |
| 0X04 (4) WINDOW WIDTH | | | | | | |
| 9:0 | Window Width | Number of columns in image to be read out (not counting any dark columns or border columns that may be read). | 2F0 (752) | Y | 1–752 | W |
| 0X05 (5) HORIZONTAL BLANKING | | | | | | |
| 9:0 | Horizontal Blanking | Number of blank columns in a row. Minimum horizontal blanking is 43 columns. | 05E (94) | Y | 43–1023 | W |
| 0X06 (6) VERTICAL BLANKING | | | | | | |
| 14:0 | Vertical Blanking | Number of blank rows in a frame. This number must be equal to or larger than four. | 002D (45) | Y | 4–3000 | W |
| 0X07 (7) CHIP CONTROL | | | | | | |

Table 8. REGISTER DESCRIPTIONS

0X06 (6) VERTICAL BLANKING

| | | | | | | |
|-----|--------------------------------|-----------------------------------------------------------------------------------------------------------------------------------------------------------------------------------------------------------------------------------------------------------------------------------------------------------------------------------------------------------------------------|---|---|---------|---|
| 2:0 | Scan Mode | 0 = Progressive scan. 1 = Not valid. 2 = Two-field Interlaced scan. Even-numbered rows are read first, and followed by odd-numbered rows. 3 = Single-field Interlaced scan. If start address is even number, only even-numbered rows are read out; if start address is odd number, only odd-numbered rows are read out. Effective image size is decreased by half. | 0 | Y | 0, 2, 3 | W |
| 3 | Sensor Master/Slave Mode | 0 = Slave mode. Initiating exposure and readout is allowed. 1 = Master mode. Sensor generates its own exposure and readout timing according to simultaneous/sequential mode control bit. | 1 | Y | 0,1 | W |
| 4 | Sensor Snapshot Mode | 0 = Snapshot disabled. 1 = Snapshot mode enabled. The start of frame is triggered by providing a pulse at EXPOSURE pin. Sensor master/slave mode should be set to logic 1 to turn on this mode. | 0 | Y | 0,1 | W |
| 5 | Stereoscopy Mode | 0 = Stereoscopy disabled. Sensor is stand-alone and the PLL generates a 320 MHz (x12) clock. 1 = Stereoscopy enabled. The PLL generates a 480 MHz (x18) clock. | 0 | Y | 0,1 | W |
| 6 | Stereoscopic Master/Slave mode | 0 = Stereoscopic master. 1 = Stereoscopic slave. Stereoscopy mode should be enabled when using this bit. | 0 | Y | 0,1 | W |
| 7 | Parallel Output Enable | 0 = Disable parallel output. DOUT(9:0) are in High-Z. 1 = Enable parallel output. | 1 | Y | 0,1 | W |
| 8 | Simultaneous/Sequential Mode | 0 = Sequential mode. Pixel and column readout takes place only after exposure is complete. 1 = Simultaneous mode. Pixel and column readout takes place in conjunction with exposure. | 1 | Y | 0,1 | W |

0X08 (8) SHUTTER WIDTH 1

| | | | | | | |
|------|-----------------|-----------------------------------------------------------------------------------------------------------------------------------------------------------------------------------------------------------------------------------------------------------------------------------------------------|-----------|---|---------|---|
| 14:0 | Shutter Width 1 | The row number in which the first knee occurs. This may be used only when high dynamic range option (bit 6 of R0x0F) is enabled and exposure knee point auto adjust control bit is disabled. This register is not shadowed, but any change made does not take effect until the following new frame. | 1BB (443) | N | 1-32767 | W |
|------|-----------------|-----------------------------------------------------------------------------------------------------------------------------------------------------------------------------------------------------------------------------------------------------------------------------------------------------|-----------|---|---------|---|

0X09 (9) SHUTTER WIDTH 2

| | | | | | | |
|------|-----------------|-----------------------------------------------------------------------------------------------------------------------------------------------------------------------------------------------------------------------------------------------------------------------------------------------------------------------------------------------------------------------------------------------------------------------------------------------------------------------------------------------|-----------|---|---------|---|
| 14:0 | Shutter Width 2 | The row number in which the second knee occurs. This may be used only when high dynamic range option (bit 6 of R0x0F) is enabled and exposure knee point auto adjust control bit is disabled. This register is not shadowed, but any change made does not take effect until the following new frame. Shutter width 2 = (bits 14:0) Note: t ₁ = Shutter width 1; t ₂ = Shutter width 2 – Shutter 1; t ₃ = Total integration – Shutter width 2. | 1D9 (473) | N | 1-32767 | W |
|------|-----------------|-----------------------------------------------------------------------------------------------------------------------------------------------------------------------------------------------------------------------------------------------------------------------------------------------------------------------------------------------------------------------------------------------------------------------------------------------------------------------------------------------|-----------|---|---------|---|

0X0A (10) SHUTTER WIDTH CONTROL

| | | | | | | |
|-----|----------|-------------------------------------------------------------------------------------------------------------------------------------------------------------------------------------------------------------------------------------------------------------------------------------------------------------------------------------------------------------------------------------------------------------|---|---|------|---|
| 3:0 | T2 Ratio | One-half to the power of this value indicates the ratio of duration time t ₂ , when saturation control gate is adjusted to level V2 to total integration when exposure knee point auto adjust control bit is enabled. This register is not shadowed, but any change made does not take effect until the following new frame. t ₂ = Total integration × (1/2) ^{t2_ratio} . | 4 | N | 0-15 | W |
|-----|----------|-------------------------------------------------------------------------------------------------------------------------------------------------------------------------------------------------------------------------------------------------------------------------------------------------------------------------------------------------------------------------------------------------------------|---|---|------|---|

Table 8. REGISTER DESCRIPTIONS

0X09 (9) SHUTTER WIDTH 2

| | | | | | | |
|-----|----------------------------------------|---------------------------------------------------------------------------------------------------------------------------------------------------------------------------------------------------------------------------------------------------------------------------------------------------------------------------------------------------------------------------------------------------------------------------------------------------------------|---|---|------|---|
| 7:4 | T3 Ratio | One-half to the power of this value indicates the ratio of duration time t_3 , when saturation control gate is adjusted to level V3 to total integration when exposure knee point auto adjust control bit is enabled. This register is not shadowed, but any change made does not take effect until the following new frame. $t_3 = \text{Total integration} \times (1/2)^{t3_ratio}$. Note: $t_1 = \text{Total integration} - t_2 - t_3$. | 6 | N | 0–15 | W |
| 8 | Exposure Knee Point Auto Adjust Enable | 0 = Auto adjust disabled. 1 = Auto adjust enabled. | 1 | N | 0,1 | W |
| 9 | Single Knee Enable | 0 = Single knee disabled. 1 = Single knee enabled. | 0 | N | 0,1 | W |

0X0B (11) TOTAL SHUTTER WIDTH

| | | | | | | |
|------|---------------------|-----------------------------------------------------------------------------------------------------------------------------------------------------------------------------------------------------------------------------|-----------|---|---------|---|
| 14:0 | Total Shutter Width | Total integration time in number of rows. This value is used only when AEC is disabled only (bit 0 of Register 175). This register is not shadowed, but any change made does not take effect until the following new frame. | 1E0 (480) | N | 1–32767 | W |
|------|---------------------|-----------------------------------------------------------------------------------------------------------------------------------------------------------------------------------------------------------------------------|-----------|---|---------|---|

0X0C (12) RESET

| | | | | | | |
|---|-----------------------|----------------------------------------------------------------------------------------------------------------------------------------------------------------------------------------------------------------------------------------------------------------------------------------------|---|---|------|---|
| 0 | Soft Reset | Setting this bit causes the sensor to abandon the current frame by resetting all digital logic except two-wire serial interface configuration. This is a self-resetting register bit and should always read “0.” (This bit de-asserts internal active LOW reset signal for 15 clock cycles.) | 0 | N | 0, 1 | W |
| 1 | Auto Block Soft Reset | Setting this bit causes the sensor to reset the automatic gain and exposure control logic. This is a self-resetting register bit and should always read “0.” (This bit de-asserts internal active LOW reset signal for 15 clock cycles.) | 0 | Y | 0, 1 | W |

0X0D (13) READ MODE

| | | | | | | |
|-----|------------|------------------------------------------------------------------------------------------------------------------------------------------------------------------------------------------------------------------------------------------------------------------------------------------------------------------------------------------------------------------------------------------------------------------------------------------------------------------------------|---|---|---------|---|
| 1:0 | Row Bin | 0 = Normal operation. 1 = Row bin 2. Two pixel rows are read per row output. Image size is effectively reduced by a factor of 2 vertically while data rate and pixel clock are not affected. Resulting frame rate is increased by 2. 2 = Row bin 4. Four pixel rows are read per row output. Image size is effectively reduced by a factor of 4 vertically while data rate and pixel clock are not affected. Resulting frame rate is increased by 4. 3 = Not valid. | 0 | Y | 0, 1, 2 | W |
| 3:2 | Column Bin | 0 = Normal operation. 1 = Column bin 2. When set, image size is reduced by a factor of 2 horizontally. Frame rate is not affected but data rate and pixel clock are reduced by one-half that of master clock. 2 = Column bin 4. When set, image size is reduced by a factor of 4 horizontally. Frame rate is not affected but data rate and pixel clock are reduced by one-fourth that of master clock. 3 = Not valid. | 0 | Y | 0, 1, 2 | W |
| 4 | Row Flip | Read out rows from bottom to top (upside down). When set, row readout starts from row (Row Start + Window Height) and continues down to (Row Start + 1). When clear, readout starts at Row Start and continues to (Row Start + Window Height – 1). This ensures that the starting color is maintained. | 0 | Y | 0, 1 | W |

Table 8. REGISTER DESCRIPTIONS

0X09 (9) SHUTTER WIDTH 2

| | | | | | | |
|-----|-------------------|------------------------------------------------------------------------------------------------------------------------------------------------------------------------------------------------------------------------------------------------------------------------------------------------------------|---|---|------|---|
| 5 | Column Flip | Read out columns from right to left (mirrored). When set, column readout starts from column (Col Start + Window Width) and continues down to (Col Start + 1). When clear, readout starts at Col Start and continues to (Col Start + Window Width - 1). This ensures that the starting color is maintained. | 0 | Y | 0, 1 | W |
| 6 | Show Dark Rows | When set, the programmed dark rows is output before the active window. Frame valid is thus asserted earlier than normal. This has no effect on integration time or frame rate. Whether the dark rows are shown in the image or not the definition frame start is before the dark rows are read out. | 0 | Y | 0, 1 | W |
| 7 | Show Dark Columns | When set, the programmed dark columns are output before the active pixels in a line. Line valid is thus asserted earlier than normal, and the horizontal blank time gets shorter by 18 pixel clocks. | 0 | Y | 0, 1 | W |
| 9:8 | Reserved | Reserved. | 3 | | | |

0X0E (14) MONITOR MODE

| | | | | | | |
|---|---------------------|-------------------------------------------------------------------------------------------------------------------------------------------------------------------------------------------|---|---|------|---|
| 0 | Monitor Mode Enable | Setting this bit puts the sensor into a cycle of sleeping for five minutes, and waking up to capture a programmable number of frames (R0xC0). Clearing this bit resumes normal operation. | 0 | Y | 0, 1 | W |
|---|---------------------|-------------------------------------------------------------------------------------------------------------------------------------------------------------------------------------------|---|---|------|---|

0X0F (15) PIXEL OPERATION MODE

| | | | | | | |
|---|--------------------|-------------------------------------------------------------------------------------------------------------------------------------|---|---|------|---|
| 2 | Color/Mono | Should be set according to sensor type: 0 = Monochrome. 1 = Color. | 0 | Y | 0, 1 | W |
| 6 | High Dynamic Range | 0 = Linear operation. 1 = High Dynamic Range. Voltage and shutter width must be correctly set for saturation control to operate. | 0 | Y | 0, 1 | W |

0X1B (27) LED_OUT CONTROL

| | | | | | | |
|---|-----------------|---------------------------------------------------------------------------------------------------------------------------|---|---|------|---|
| 0 | Disable LED_OUT | Disable LED_OUT output. When cleared, the output pin LED_OUT is pulsed high when the sensor is undergoing exposure. | 0 | Y | 0, 1 | W |
| 1 | Invert LED_OUT | Invert polarity of LED_OUT output. When set, the output pin LED_OUT is pulsed low when the sensor is undergoing exposure. | 0 | Y | 0, 1 | W |

0X1C (28) ADC RESOLUTION CONTROL

| | | | | | | |
|-----|----------|-----------------------------------------------------------------------------------|---|---|------|---|
| 1:0 | ADC Mode | 0 = Invalid. 1 = Invalid. 2 = 10-bit linear. 3 = 12-to10-bit companding. | 2 | Y | 2, 3 | W |
|-----|----------|-----------------------------------------------------------------------------------|---|---|------|---|

0X2C (44) VREF_ADC CONTROL

| | | | | | | |
|-----|------------------------|-----------------------------------------------------------------------------------------------------------------------------------------------------------------------------------------------------------------------------------------------------|---|---|-----|---|
| 2:0 | VREF_ADC Voltage Level | 0 = VREF_ADC = 1.0V. 1 = VREF_ADC = 1.1V. 2 = VREF_ADC = 1.2V. 3 = VREF_ADC = 1.3V. 4 = VREF_ADC = 1.4V. 5 = VREF_ADC = 1.5V. 6 = VREF_ADC = 1.6V. 7 = VREF_ADC = 2.1V. Range: 1.0–2.1V; Default: 1.4V VREF_ADC for ADC. | 4 | N | 0–7 | W |
|-----|------------------------|-----------------------------------------------------------------------------------------------------------------------------------------------------------------------------------------------------------------------------------------------------|---|---|-----|---|

0X31 (49) V1 CONTROL

| | | | | | | |
|-----|------------------|-------------------------------------------------------------------------------------------------------------------|------------|---|------|---|
| 4:0 | V1 voltage level | V_Step = bits (4:0) x 62.5mV + 0.5625V. Range: 0.5625 – 2.5V; Default: 2.375V. Usage: V_Step1 HiDy voltage. | 1D (29) | N | 0–31 | W |
|-----|------------------|-------------------------------------------------------------------------------------------------------------------|------------|---|------|---|

0X32 (50) V2 CONTROL

Table 8. REGISTER DESCRIPTIONS

| 0X32 (50) V2 CONTROL | | | | | | |
|-------------------------------------------|------------------------|---------------------------------------------------------------------------------------------------------------------------------------------------------------------------------------------------------------------------------------------------------------------------------------------------------------------------------------------------------------------------------------------------------------------------------------------------------------------------------|-------------|---|-------|---|
| 4:0 | V2 voltage level | V_Step = bits (4:0) x 62.5mV + 0.5625V. Range: 0.5625 – 2.5V; Default: 2.0625V. Usage: V_Step2 HiDy voltage. | 18 (24) | N | 0–31 | W |
| 0X33 (51) V3 CONTROL | | | | | | |
| 4:0 | V3 voltage level | V_Step = bits (4:0) x 62.5mV + 0.5625V. Range: 0.5625 – 2.5V; Default: 1.875V. Usage: V_Step3 HiDy voltage. | 15 (21) | N | 0–31 | W |
| 0X34 (52) V4 CONTROL | | | | | | |
| 4:0 | V4 voltage level | V_Step = bits (4:0) x 62.5mV + 0.5625V. Range: 0.5625 – 2.5V; Default: 0.8125V. Usage: V_Step HiDy parking voltage, also provides anti-blooming when V_Step is disabled. | 4 | N | 0–31 | W |
| 0X35 (53) ANALOG GAIN | | | | | | |
| 6:0 | Analog Gain | Analog gain = bits (6:0) x 0.0625 for values 16–31 Analog gain = bits (6:0)/2 x 0.125 for values 32–64 For values 16–31: each LSB increases analog gain 0.0625v/v. A value of 16 = 1X gain. Range: 1X to 1.9375X For values 32–64: each 2 LSB increases analog gain 0.125v/v. Range: 2X to 4X. An LSB increase of 1 will not increase the gain; the value must be incremented by 2 No exception detection is installed and caution should be taken when programming | 10 (16) | Y | 16–64 | W |
| 0X36 (54) MAXIMUM ANALOG GAIN | | | | | | |
| 6:0 | Maximum Analog Gain | This register is used by the automatic gain control (AGC) as the upper threshold of gain. This ensures the new calibrated gain value does not exceed that which the MT9V032 supports. Range: 16 _{dec} –64 _{dec} for 1X–4X respectively. Note: No exception detection is installed; caution should be taken when programming. | 40 (64) | Y | 16–64 | W |
| 0X42 (66) FRAME DARK AVERAGE | | | | | | |
| 7:0 | Frame Dark Average | The value read is the frame averaged black level, that is, used in the black level algorithm calculations. | 0 | | | R |
| 0X46 (70) DARK AVERAGE THRESHOLDS | | | | | | |
| 7:0 | Lower threshold | Lower threshold for targeted black level in ADC LSBs. | 1D (29) | N | 0–255 | W |
| 15:8 | Upper threshold | Upper threshold for targeted black level in ADC LSBs. | 23 (35) | N | 0–255 | W |
| 0X47 (71) BLACK LEVEL CALIBRATION CONTROL | | | | | | |
| 0 | Manual Override | Manual override of black level correction. 1 = Override automatic black level correction with programmed values. (R0x48). 0 = Normal operation (default). | 0 | N | 0, 1 | W |
| 7:5 | Frames to average over | Two to the power of this value decide how many frames to average over when the black level algorithm is in the averaging mode. In this mode the running frame average is calculated from the following formula: Running frame ave = Old running frame ave – (old running frame ave)/2n + (new frame ave)/ 2n. | 4 | N | 0–7 | W |
| 15:8 | Reserved | Reserved. | 80 (128) | | | |
| 0X48 (72) BLACK LEVEL CALIBRATION VALUE | | | | | | |

Table 8. REGISTER DESCRIPTIONS

0X48 (72) BLACK LEVEL CALIBRATION VALUE

| | | | | | | |
|------------|-------------------------------|----------------------------------------------------------------------------------------------------------------------------------------------------------------------------------------------------------------------------------------------------------------------------------------------------------------------------------------------------------------------------------------------------------------------------------------------------------------------------------------------------------------------|---|---|-------------|---|
| 7:0 | Black Level Calibration Value | Analog calibration offset: Negative numbers are represented with two's complement, which is shown in the following formula: Sign = bit 7 (0 is positive, 1 is negative). If positive offset value: Magnitude = bit 6:0. If negative offset value: Magnitude = not (bit 6:0) + 1. During two-wire serial interface read, this register returns the user-programmed value when manual override is enabled (R0x47 bit 0); otherwise, this register returns the result obtained from the calibration algorithm. | 0 | N | -127 to 127 | W |
|------------|-------------------------------|----------------------------------------------------------------------------------------------------------------------------------------------------------------------------------------------------------------------------------------------------------------------------------------------------------------------------------------------------------------------------------------------------------------------------------------------------------------------------------------------------------------------|---|---|-------------|---|

0X4C (76) BLACK LEVEL CALIBRATION VALUE STEP SIZE

| | | | | | | |
|------------|--------------------------------|-------------------------------------------------------------------------------------------------------------------------------------------------------|---|---|------|---|
| 4:0 | Step Size of Calibration Value | This is the size calibration value may change (positively or negatively) from frame to frame. 1 calib LSB = 1/2 ADC LSB, assuming analog gain = 1. | 2 | N | 0-31 | W |
|------------|--------------------------------|-------------------------------------------------------------------------------------------------------------------------------------------------------|---|---|------|---|

0X70 (112) ROW NOISE CORRECTION CONTROL 1

| | | | | | | |
|------------|-------------------------|-------------------------------------------------------------------------------------------------------------------------------------------------------------------------------------------------------------------------------------------------------------------------------------------------------------------------|---|---|---------------|---|
| 3:0 | Number of Dark Pixels | The number of pixels used in the row-wise noise calculation. 0 = 2 pixels. 1 = 4 pixels. 2 = 6 pixels. 4 = 10 pixels. 8 = 18 pixels. See "Row-wise Noise Correction" for additional information. | 4 | Y | 0, 1, 2, 4, 8 | W |
| 4 | Reserved | Reserved. | 1 | | | |
| 5 | Enable noise correction | 0 = Normal operation. 1 = Enable row noise cancellation algorithm. When this bit is set, on a per row basis, the dark average is subtracted from each pixel in the row, and then a constant (R0x72) is added. | 1 | Y | 0, 1 | W |
| 11 | Use black level average | 1 = Use black level frame average from the dark rows in the row noise correction algorithm for low gains. This frame average was taken before the last adjustment of the offset DAC for that frame, so it might be slightly off. 0 = Use the average value of the dark columns read out in each row as dark average. | 0 | Y | 0, 1 | W |

0X72 (114) ROW NOISE CONSTANT

| | | | | | | |
|------------|--------------------|------------------------------------------------------------------------------------------------------------------------------------------------------------------------------------------------------------------------------------------------|---------|---|-------|---|
| 7:0 | Row noise constant | Constant used in the row noise cancellation algorithm. It should be set to the dark level targeted by the black level algorithm plus the noise expected between the averaged values of dark columns. At default the constant is set to 42 LSB. | 2A (42) | Y | 0-255 | W |
|------------|--------------------|------------------------------------------------------------------------------------------------------------------------------------------------------------------------------------------------------------------------------------------------|---------|---|-------|---|

0X73 (115) ROW NOISE CORRECTION CONTROL 2

| | | | | | | |
|------------|---------------------------|---------------------------------------------------------------------------------------------------------|-----------|---|---------|---|
| 9:0 | Dark start column address | The starting column address for the dark columns to be used in the row-wise noise correction algorithm. | 2F7 (759) | Y | 759-775 | W |
|------------|---------------------------|---------------------------------------------------------------------------------------------------------|-----------|---|---------|---|

0X74 (116) PIXEL CLOCK, FRAME AND LINE VALID CONTROL

| | | | | | | |
|----------|-----------------------|-------------------------------------------------------------------------------------------------------------------------------------------------------------|---|---|------|---|
| 0 | Invert Line Valid | Invert line valid. When set, LINE_VALID is reset to logic "0" when DOUT is valid. | 0 | Y | 0, 1 | W |
| 1 | Invert Frame Valid | Invert frame valid. When set, FRAME_VALID is reset to logic "0" when frame is valid. | 0 | Y | 0, 1 | W |
| 2 | XOR Line Valid | 1 = Line valid = "Continuous" Line Valid XOR Frame Valid 0 = Line Valid determined by bit 3. Ineffective if Continuous Line Valid is set. | 0 | Y | 0, 1 | W |
| 3 | Continuous Line Valid | 1 = "Continuous" Line Valid (continue producing line valid during vertical blank). 0 = Normal Line Valid (default, no line valid during vertical blank). | 0 | Y | 0, 1 | W |

MT9V032

Table 8. REGISTER DESCRIPTIONS

0X74 (116) PIXEL CLOCK, FRAME AND LINE VALID CONTROL

| | | | | | | |
|---|--------------------|---------------------------------------------------------------------------------------------------------------------------------------------------------------------------------|---|---|------|---|
| 4 | Invert Pixel Clock | Invert pixel clock. When set, LINE_VALID, FRAME_VALID, and DOUT is set up to the rising edge of pixel clock, PIXCLK. When clear, they are set up to the falling edge of PIXCLK. | 0 | Y | 0, 1 | W |
|---|--------------------|---------------------------------------------------------------------------------------------------------------------------------------------------------------------------------|---|---|------|---|

0X7F (127) DIGITAL TEST PATTERN

| | | | | | | |
|-------|------------------------------------------|-----------------------------------------------------------------------------------------------------------------------------------------------------------------------------------------------------------------------------------------------------------------------------------------------------|---|---|--------|---|
| 9:0 | Two-wire Serial Interface Test Data | The 10-bit test data in this register is used in place of the data from the sensor. The data is inserted at the beginning of the digital signal processing. Both test enable (bit 13) and use two-wire serial interface (bit 10) must be set. | 0 | N | 0–1023 | W |
| 10 | Use Two-wire Serial Interface Test Data | 0 = Use Gray Shade Test Pattern as test data. 1 = Use Two-wire Serial Interface Test Data (bits 9:0) as test data. | 0 | N | 0, 1 | W |
| 12:11 | Gray Shade Test Pattern | 0 = None. 1 = Vertical Shades. 2 = Horizontal Shades. 3 = Diagonal Shade. When bits (12:11) \neq 0, the MT9V032 generates a gray shaded test pattern to be used as digital test data. Ineffective when Use Two-wire Serial Interface Test Data (bit 10) is set. | 0 | N | 0–3 | W |
| 13 | Test Enable | Enable the use of test data/gray shaded test pattern in the signal chain. The data is inserted instead of data from the ADCs. Set R0x70 bit 5 = 0 when using this mode. If R0x70 bit 5 = 1, the row-wise correction algorithm processes the test data values and the result is not accurate. | 0 | Y | 0, 1 | W |
| 14 | Flip Two-Wire Serial Interface Test Data | Use only when two-wire serial interface test data (bit 10) is set. When set, the two-wire serial interface test data (bits 9:0) is used in place of the data from ADC/memory on odd columns, while complement of the two-wire serial interface test data is used on even columns. | 0 | N | 0, 1 | W |

0X80 (128) – 0X98 (152) TILED DIGITAL GAIN

| | | | | | | |
|-----|---------------|--------------------------------------------------------------------------------------------------------|-----------|---|------|---|
| 3:0 | Tile Gain | Tile Digital Gain = Bits (3:0) x 0.25. See “Gain Settings” for additional information on digital gain. | 4 | Y | 1–15 | W |
| 7:4 | Sample Weight | To indicate the weight of individual tile used in the automatic gain/exposure control algorithm. | F (15) | Y | 0–15 | W |

Refer to Figure 25 for R0x99 (153) – R0xA4 (164).

0X99 (153) DIGITAL TILE COORDINATE 1 – X-DIRECTION

| | | | | | | |
|-----|------------------|--------------------------------------------------|---|---|-------|---|
| 9:0 | X _{0/5} | The starting x-coordinate of digital tiles X0_*. | 0 | Y | 0–752 | W |
|-----|------------------|--------------------------------------------------|---|---|-------|---|

0X9A (154) DIGITAL TILE COORDINATE 2 – X-DIRECTION

| | | | | | | |
|-----|------------------|--------------------------------------------------|--------------|---|-------|---|
| 9:0 | X _{1/5} | The starting x-coordinate of digital tiles X1_*. | 096 (150) | Y | 0–752 | W |
|-----|------------------|--------------------------------------------------|--------------|---|-------|---|

0X9B (155) DIGITAL TILE COORDINATE 3 – X-DIRECTION

| | | | | | | |
|-----|------------------|--------------------------------------------------|--------------|---|-------|---|
| 9:0 | X _{2/5} | The starting x-coordinate of digital tiles X2_*. | 12C (300) | Y | 0–752 | W |
|-----|------------------|--------------------------------------------------|--------------|---|-------|---|

0X9C (156) DIGITAL TILE COORDINATE 4 – X-DIRECTION

| | | | | | | |
|-----|------------------|--------------------------------------------------|--------------|---|-------|---|
| 9:0 | X _{3/5} | The starting x-coordinate of digital tiles X3_*. | 1C2 (450) | Y | 0–752 | W |
|-----|------------------|--------------------------------------------------|--------------|---|-------|---|

0X9D (157) DIGITAL TILE COORDINATE 5 – X-DIRECTION

| | | | | | | |
|-----|------------------|--------------------------------------------------|--------------|---|-------|---|
| 9:0 | X _{4/5} | The starting x-coordinate of digital tiles X4_*. | 258 (600) | Y | 0–752 | W |
|-----|------------------|--------------------------------------------------|--------------|---|-------|---|

0X9E (158) DIGITAL TILE COORDINATE 6 – X-DIRECTION

| | | | | | | |
|-----|------------------|------------------------------------------------|--------------|---|-------|---|
| 9:0 | X _{5/5} | The ending x-coordinate of digital tiles X4_*. | 2F0 (752) | Y | 0–752 | W |
|-----|------------------|------------------------------------------------|--------------|---|-------|---|

Table 8. REGISTER DESCRIPTIONS

0X9F (159) DIGITAL TILE COORDINATE 1 – Y-DIRECTION

| | | | | | | |
|------------|------------------|--------------------------------------------------|---|---|-------|---|
| 8:0 | Y _{0/5} | The starting y-coordinate of digital tiles *_Y0. | 0 | Y | 0–480 | W |
|------------|------------------|--------------------------------------------------|---|---|-------|---|

0XA0 (160) DIGITAL TILE COORDINATE 2 – Y-DIRECTION

| | | | | | | |
|------------|------------------|--------------------------------------------------|------------|---|-------|---|
| 8:0 | Y _{1/5} | The starting y-coordinate of digital tiles *_Y1. | 60 (96) | Y | 0–480 | W |
|------------|------------------|--------------------------------------------------|------------|---|-------|---|

0XA1 (161) DIGITAL TILE COORDINATE 3 – Y-DIRECTION

| | | | | | | |
|------------|------------------|--------------------------------------------------|--------------|---|-------|---|
| 8:0 | Y _{2/5} | The starting y-coordinate of digital tiles *_Y2. | 0C0 (192) | Y | 0–480 | W |
|------------|------------------|--------------------------------------------------|--------------|---|-------|---|

0XA2 (162) DIGITAL TILE COORDINATE 4 – Y-DIRECTION

| | | | | | | |
|------------|------------------|--------------------------------------------------|--------------|---|-------|---|
| 8:0 | Y _{3/5} | The starting y-coordinate of digital tiles *_Y3. | 120 (288) | Y | 0–480 | W |
|------------|------------------|--------------------------------------------------|--------------|---|-------|---|

0XA3 (163) DIGITAL TILE COORDINATE 5 – Y-DIRECTION

| | | | | | | |
|------------|------------------|--------------------------------------------------|--------------|---|-------|---|
| 8:0 | Y _{4/5} | The starting y-coordinate of digital tiles *_Y4. | 180 (384) | Y | 0–480 | W |
|------------|------------------|--------------------------------------------------|--------------|---|-------|---|

0XA4 (164) DIGITAL TILE COORDINATE 6 – Y-DIRECTION

| | | | | | | |
|------------|------------------|------------------------------------------------|--------------|---|-------|---|
| 8:0 | Y _{5/5} | The ending y-coordinate of digital tiles *_Y4. | 1E0 (480) | Y | 0–480 | W |
|------------|------------------|------------------------------------------------|--------------|---|-------|---|

0XA5 (165) AEC/AGC DESIRED BIN

| | | | | | | |
|------------|-------------|-------------------------------------------------------------------------------------|------------|---|------|---|
| 5:0 | Desired Bin | User-defined “desired bin” that gives a measure of how bright the image is intended | 3A (58) | Y | 1–64 | W |
|------------|-------------|-------------------------------------------------------------------------------------|------------|---|------|---|

0XA6 (166) AEC UPDATE FREQUENCY

| | | | | | | |
|------------|----------------|--------------------------------------------------------------------------------------------|---|---|------|---|
| 3:0 | Exp Skip Frame | The number of frames that the AEC must skip before updating the exposure register (R0xBB). | 2 | Y | 0–15 | W |
|------------|----------------|--------------------------------------------------------------------------------------------|---|---|------|---|

0XA8 (168) AEC LOW PASS FILTER

| | | | | | | |
|------------|---------|--------------------------------------------------------------------------------------------------------------------------------------------------------------------------------------------------------------------------------------------------------------------------------------------------------------------------------------------------------------------------------------------------------------------------------------------------------------------------------------------------------------------------------------------------------------------------------------------------------------------------------------------------------------------------|---|---|-----|----|
| 1:0 | Exp LPF | <p>This value plays a role in determining the increment/decrement size of exposure value from frame to frame. If current bin ! 0 (R0xBC),</p> <p>When Exp LPF = 0: Actual new exposure = Calculated new exposure</p> <p>When Exp LPF = 1: If (Calculated new exp – current exp) > (current exp/4), Actual new exposure = Calculated new exposure, otherwise Actual new exposure = Current exp + (calculated new exp/2)</p> <p>When Exp LPF = 2: If (Calculated new exp – current exp) > (current exp/4), Actual new exposure = Calculated new exposure, otherwise Actual new exposure = Current exp + (calculated new exp/4)</p> | 2 | Y | 0–2 | WX |
|------------|---------|--------------------------------------------------------------------------------------------------------------------------------------------------------------------------------------------------------------------------------------------------------------------------------------------------------------------------------------------------------------------------------------------------------------------------------------------------------------------------------------------------------------------------------------------------------------------------------------------------------------------------------------------------------------------------|---|---|-----|----|

0XA9 (169) AGC OUTPUT UPDATE FREQUENCY

| | | | | | | |
|------------|-----------------|----------------------------------------------------------------------------------------|---|---|------|---|
| 3:0 | Gain Skip Frame | The number of frames that the AGC must skip before updating the gain register (R0xBA). | 2 | Y | 0–15 | W |
|------------|-----------------|----------------------------------------------------------------------------------------|---|---|------|---|

0XAB (171) AGC LOW PASS FILTER

Table 8. REGISTER DESCRIPTIONS

0XBAB (171) AGC LOW PASS FILTER

| | | | | | | |
|-----|----------|-------------------------------------------------------------------------------------------------------------------------------------------------------------------------------------------------------------------------------------------------------------------------------------------------------------------------------------------------------------------------------------------------------------------------------------------------------------------------------------------------------------------------------------------------------------------------------------------------------------|---|---|-----|---|
| 1:0 | Gain LPF | This value plays a role in determining the increment/decrement size of gain value from frame to frame. If current bin ! 0 (R0xBC) When Gain LPF = 0 Actual new gain = Calculated new gain When Exp LPF = 1 if (Calculated new gain – current gain) > (current gain/4), Actual new gain = Calculated new gain, otherwise Actual new gain = Current exp+ (calculated new gain/2) When Exp LPF = 2: if (Calculated new gain – current gain) > (current gain /4), Actual new gain = Calculated new gain, otherwise Actual new gain = Current gain+ (calculated new gain/4). | 2 | Y | 0–2 | W |
|-----|----------|-------------------------------------------------------------------------------------------------------------------------------------------------------------------------------------------------------------------------------------------------------------------------------------------------------------------------------------------------------------------------------------------------------------------------------------------------------------------------------------------------------------------------------------------------------------------------------------------------------------|---|---|-----|---|

0XAF (175) AGC/AEC ENABLE

| | | | | | | |
|---|------------|---------------------------------------------------------------------------------|---|---|------|---|
| 0 | AEC Enable | 0 = Disable Automatic Exposure Control 1 = Enable Automatic Exposure Control | 1 | Y | 0, 1 | W |
| 1 | AGC Enable | 0 = Disable Automatic Gain Control. 1 = Enable Automatic Gain Control. | 1 | Y | 0, 1 | W |

0XB0 (176) AGC/AEC PIXEL COUNT

| | | | | | | |
|------|-------------|-----------------------------------------------------|--------------|---|---------|---|
| 15–0 | Pixel Count | The number of pixel used for the AEC/AGC histogram. | ABE0 (44,00) | Y | 0–65535 | W |
|------|-------------|-----------------------------------------------------|--------------|---|---------|---|

0XB1 (177) LVDS MASTER CONTROL

| | | | | | | |
|---|-----------------|-------------------------------------------------------------------------------------------------------------------------------------------------------------------|---|---|------|---|
| 0 | PLL Bypass | 0 = Internal shift–CLK is driven by PLL. 1 = Internal shift–CLK is sourced from the LVDS_BY-PASS_CLK. | 0 | Y | 0, 1 | W |
| 1 | LVDS Power–down | 0 = Normal operation. 1 = Power–down LVDS block. | 1 | Y | 0, 1 | W |
| 2 | PLL Test Mode | 0 = Normal operation. 1 = The PLL output frequency is equal to the system clock frequency (26.6 MHz). | 0 | Y | 0, 1 | W |
| 3 | LVDS Test Mode | 0 = Normal operation. 1 = The SER_DATAOUT_P drives a square wave in both stereo and stand–alone modes). In stereo mode, ensure that SER_DATAIN_P is logic “0.” | 0 | Y | 0, 1 | W |

0XB2 (178) LVDS SHIFT CLOCK CONTROL

| | | | | | | |
|-----|--------------------------------|-----------------------------------------------------------------|---|---|------|---|
| 2:0 | Shift–clk Delay Element Select | The amount of shift–CLK delay that minimizes inter–sensor skew. | 0 | Y | 0–7 | W |
| 4 | LVDS Receiver Power–down | When set, LVDS receiver is disabled. | 1 | Y | 0, 1 | W |

0XB3 (179) LVDS DATA CONTROL

| | | | | | | |
|-----|---------------------------|------------------------------------------------------------|---|---|------|---|
| 2:0 | Data Delay Element Select | The amount of data delay that minimizes inter–sensor skew. | 0 | Y | 0–7 | W |
| 4 | LVDS Driver Power–down | When set, data LVDS driver is disabled. | 1 | Y | 0, 1 | W |

0XB4 (180) LVDS LATENCY

| | | | | | | |
|-----|-----------------------|----------------------------------------------------------|---|---|-----|---|
| 1:0 | Stream Latency Select | The amount of delay so that the two streams are in sync. | 0 | Y | 0–3 | W |
|-----|-----------------------|----------------------------------------------------------|---|---|-----|---|

0XB5 (181) LVDS INTERNAL SYNC

| | | | | | | |
|---|---------------------------|-----------------------------------------------------------------------------------------------------------|---|---|------|---|
| 0 | LVDS Internal Sync Enable | When set, the MT9V032 generates sync pattern (data with all zeros except start bit) on LVDS_SER_DATA_OUT. | 0 | Y | 0, 1 | W |
|---|---------------------------|-----------------------------------------------------------------------------------------------------------|---|---|------|---|

0XB6 (182) LVDS PAYLOAD CONTROL

Table 8. REGISTER DESCRIPTIONS

0XB6 (182) LVDS PAYLOAD CONTROL

| | | | | | | |
|---|-------------------------|--------------------------------------------------------------------------------------------------------------------------------------------------------------------------------------------------------------------|---|---|------|---|
| 0 | Use 10-bit Pixel Enable | When set, all 10 pixel data bits are output in stand-alone mode. Control signals are embedded. If clear, 8 bits of pixel data are output with 2 control bits. See "LVDS Output Format" for additional information. | 0 | Y | 0, 1 | W |
|---|-------------------------|--------------------------------------------------------------------------------------------------------------------------------------------------------------------------------------------------------------------|---|---|------|---|

0XB7 (183) STEREOSCOPY ERROR CONTROL

| | | | | | | |
|---|--------------------------------|---------------------------------------------------------------------------------------------------------------------------|---|---|------|---|
| 0 | Enable Stereo Error Detect | Set this bit to enable stereo error detect mechanism. | 0 | Y | 0, 1 | W |
| 1 | Enable Stick Stereo Error Flag | When set, the stereo error flag remains asserted once an error is detected unless clear stereo error flag (bit 2) is set. | 0 | Y | 0, 1 | W |
| 2 | Clear Stereo Error Flag | Set this bit to clear the stereoscopy error flag (R0xB8 returns to logic 0). | 0 | Y | 0, 1 | W |

0XB8 (184) STEREOSCOPY ERROR FLAG

| | | | | | | |
|---|------------------------|---------------------------------------------------------------------------------------|--|--|--|---|
| 0 | Stereoscopy Error Flag | Stereoscopy error status flag. It is also directly connected to the ERROR output pin. | | | | R |
|---|------------------------|---------------------------------------------------------------------------------------|--|--|--|---|

0XB9 (185) LVDS DATA OUTPUT

| | | | | | | |
|------|-----------|--------------------------------------------------------------------------------------------------------------------------------------------------------------------------------------------------------------------------------------------------------------------------------------------------------------------------------------------------------|--|--|--|---|
| 15:0 | Combo Reg | This 16-bit value contains both 8-bit pixel values from both stereoscopic master and slave sensors. It can be used in diagnosis to determine how well in sync the two sensors are. Captures the state when master sensor has issued a reserved byte and slave has not. Note: This register should be read from the stereoscopic master sensor only. | | | | R |
|------|-----------|--------------------------------------------------------------------------------------------------------------------------------------------------------------------------------------------------------------------------------------------------------------------------------------------------------------------------------------------------------|--|--|--|---|

0XBA (186) AGC GAIN OUTPUT

| | | | | | | |
|-----|----------|-----------------------------------------------------------------------------------|---------|--|--|---|
| 6:0 | AGC Gain | Status register to report the current gain value obtained from the AGC algorithm. | 10 (16) | | | R |
|-----|----------|-----------------------------------------------------------------------------------|---------|--|--|---|

0XBB (187) AEC EXPOSURE OUTPUT

| | | | | | | |
|------|--------------|---------------------------------------------------------------------------------------|------------|--|--|---|
| 15:0 | AEC Exposure | Status register to report the current exposure value obtained from the AEC Algorithm. | 00C8 (200) | | | R |
|------|--------------|---------------------------------------------------------------------------------------|------------|--|--|---|

0XBC (188) AGC/AEC CURRENT BIN

| | | | | | | |
|-----|-------------|-------------------------------------------------------------|--|--|--|---|
| 5:0 | Current Bin | Status register to report the current bin of the histogram. | | | | R |
|-----|-------------|-------------------------------------------------------------|--|--|--|---|

0XBD (189) MAXIMUM TOTAL SHUTTER WIDTH

| | | | | | | |
|------|-----------------------------|------------------------------------------------------------------------------------------------------------------------------------------------------------------------------------------------------|------------|---|--------|---|
| 15:0 | Maximum Total Shutter Width | This register is used by the automatic exposure control (AEC) as the upper threshold of exposure. This ensures the new calibrated integration value does not exceed that which the MT9V032 supports. | 01E0 (480) | Y | 1–2047 | W |
|------|-----------------------------|------------------------------------------------------------------------------------------------------------------------------------------------------------------------------------------------------|------------|---|--------|---|

0XBE (190) AGC/AEC BIN DIFFERENCE THRESHOLD

| | | | | | | |
|-----|--------------------------|--------------------------------------------------------------------------------------------------------------------------------------------------------------------------------------------------------------------|---------|---|------|---|
| 7:0 | Bin Difference Threshold | This register is used by the AEC only when exposure reaches its minimum value of 1. If the difference between desired bin (R0xA5) and current bin (R0xBC) is larger than the threshold, the exposure is increased. | 14 (20) | Y | 0–63 | W |
|-----|--------------------------|--------------------------------------------------------------------------------------------------------------------------------------------------------------------------------------------------------------------|---------|---|------|---|

0XBF (191) FIELD VERTICAL BLANK

| | | | | | | |
|-----|----------------------|-----------------------------------------------------------------------------------------------------------------------|---------|---|-------|---|
| 8:0 | Field Vertical Blank | The number of blank rows between odd and even fields. Note: For interlaced (both field) mode only. See R0x07[2:0]. | 16 (22) | Y | 0–255 | W |
|-----|----------------------|-----------------------------------------------------------------------------------------------------------------------|---------|---|-------|---|

0XC0 (192) MONITOR MODE CAPTURE CONTROL

| | | | | | | |
|-----|--------------------|---------------------------------------------------------------------------------------------|---------|---|-------|---|
| 7:0 | Image Capture Numb | The number of frames to be captured during the wake-up period when monitor mode is enabled. | 0A (10) | Y | 0–255 | W |
|-----|--------------------|---------------------------------------------------------------------------------------------|---------|---|-------|---|

0XC1 (193) THERMAL INFORMATION

| | | | | | | |
|-----|--------------------|------------------------------------------------------------------------------|--|--|--|---|
| 9:0 | Temperature Output | Status register to report the temperature of sensor. Updated once per frame. | | | | R |
|-----|--------------------|------------------------------------------------------------------------------|--|--|--|---|

0XC2 (194) ANALOG CONTROLS

| | | | | | | |
|---|----------|-----------|---|---|------|---|
| 6 | Reserved | Reserved. | 1 | N | 0, 1 | W |
|---|----------|-----------|---|---|------|---|

Table 8. REGISTER DESCRIPTIONS

0XC2 (194) ANALOG CONTROLS

| | | | | | | |
|--------------|-------------------------|---------------------------------------------------------------------------------------------------------------------------------|---|---|------|---|
| 7 | Anti-Eclipse Enable | Setting this bit turns on anti-eclipse circuitry. | 0 | N | 0, 1 | W |
| 11:13 | V_rst_lim voltage Level | V_rst_lim = bits (2:0) × 50mV + 1.95V Range: 1.95–2.30V; Default: 2.00V Usage: For anti-eclipse reference voltage control | 1 | N | 0–7 | W |

0XC3 (195) NTSC FRAME VALID CONTROL

| | | | | | | |
|----------|-----------------------------|----------------------------------------------------------------------------------------|---|---|------|---|
| 0 | Extend Frame Valid | When set, frame valid is extended for half-line in length at the odd field. | 0 | Y | 0, 1 | W |
| 1 | Replace FV/LV with Ped/Sync | When set, frame valid and line valid is replaced by ped and sync signals respectively. | 0 | Y | 0, 1 | W |

0XC4 (196) NTSC HORIZONTAL BLANKING CONTROL

| | | | | | | |
|-------------|-------------------|------------------------------------------------------------------------------------------|-------------|---|-------|---|
| 7:0 | Front porch width | The front porch width in number of master clock cycle. NTSC standard is 1.5μsec ±0.1μsec | 16 (22) | Y | 0–255 | W |
| 15:8 | Sync Width | The sync pulse width in number of master clock cycle. NTSC standard is 4.7μsec ±0.1μsec. | 044 (68) | Y | 0–255 | W |

0XC5 (197) NTSC VERTICAL BLANKING CONTROL

| | | | | | | |
|-------------|--------------------------|-------------------------------------------------------------------------------------|------------|---|-------|---|
| 7:0 | Equalizing Pulse Width | The pulse width in number of master clock cycle. NTSC standard is 2.3μsec ±0.1μsec. | 21 (33) | Y | 0–255 | W |
| 15:8 | Vertical Serration Width | The pulse width in number of master clock cycle. NTSC standard is 4.7μsec ±0.1μsec. | 44 (68) | Y | 0–255 | W |

0XF0 (240) BYTEWISE ADDRESS

| | | | | | | |
|--|------------------|--------------------------------------------------------------------------------------------------------------------------------------------------------------------------------------------|--|--|--|--|
| | Bytewise Address | Special address to perform 8-bit READs and WRITEs to the sensor. See the “Two-Wire Serial Interface Sample Read and Write Sequences” for further details on how to use this functionality. | | | | |
|--|------------------|--------------------------------------------------------------------------------------------------------------------------------------------------------------------------------------------|--|--|--|--|

0XFE (254) REGISTER LOCK

| | | | | | | |
|-------------|--------------------|---------------------------------------------------------------------------------------------------------------------------------------------------------------------------------------------------------------------------------------------------------------------------------------------------------------------------------------------------------------------------------------------------------------------------------------------------------------------------------------------------------------------------------------------------------------------------------------------------|-----------------|---|---------------------------|---|
| 15:0 | Register Lock Code | To lock all registers except R0xFE, program data with 0xDEAD; to unlock two-wire serial interface, program data with 0xBEEF. When two-wire serial interface is locked, any subsequent two-wire serial interface write to register other than to two-wire serial interface Protect Enable Register is ignored until two-wire serial interface is unlocked. To lock Register 13 only, program data with 0xDEAF; to unlock, program data with 0xBEEF. When Register 13 is locked, any subsequent two-wire serial interface write to this register only is ignored until register is unlocked. | BEEF (48879) | N | 48879, 57005, 57007 | W |
|-------------|--------------------|---------------------------------------------------------------------------------------------------------------------------------------------------------------------------------------------------------------------------------------------------------------------------------------------------------------------------------------------------------------------------------------------------------------------------------------------------------------------------------------------------------------------------------------------------------------------------------------------------|-----------------|---|---------------------------|---|

FEATURE DESCRIPTION

Operational Modes

The MT9V032 works in master, snapshot, or slave mode. In master mode the sensor generates the readout timing. In snapshot mode it accepts an external trigger to start integration, then generates the readout timing. In slave mode the sensor accepts both external integration and readout controls. The integration time is programmed through the two-wire serial interface during master or snapshot modes, or controlled through externally generated control signal during slave mode.

Master Mode

There are two possible operation methods for master mode: simultaneous and sequential. One of these operation modes must be selected through the two-wire serial interface.

Simultaneous Master Mode

In simultaneous master mode, the exposure period occurs during readout. The frame synchronization waveforms are shown in Figure13 and Figure 14. The exposure and readout happen in parallel rather than sequentially, making this the fastest mode of operation.

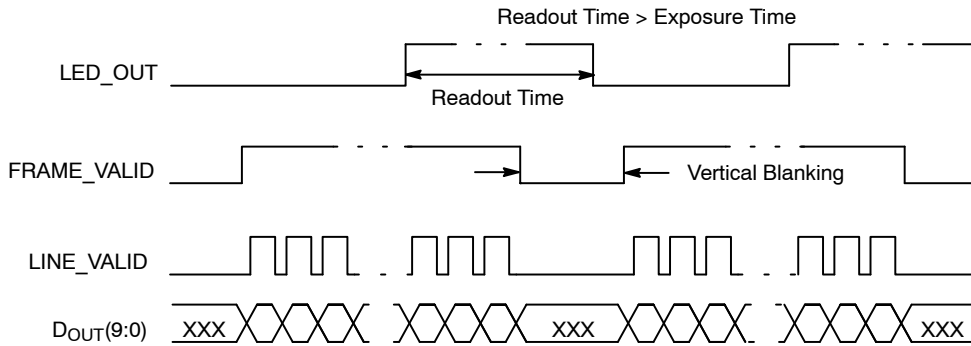


Figure 13. Simultaneous Master Mode Synchronization Waveforms #1

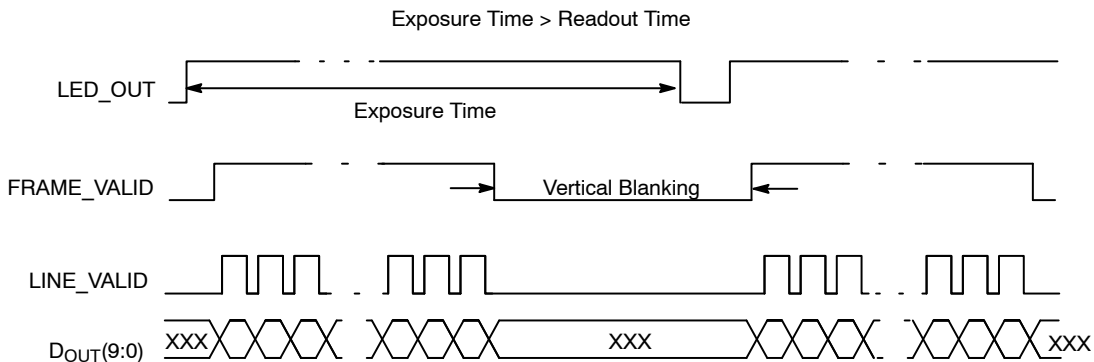


Figure 14. Simultaneous Master Mode Synchronization Waveforms #2

When exposure time is greater than the sum of vertical blank and window height, the number of vertical blank rows is increased automatically to accommodate the exposure time.

Sequential Master Mode

In sequential master mode the exposure period is followed by readout. The frame synchronization waveforms for sequential master mode are shown in Figure15. The frame rate changes as the integration time changes.

MT9V032

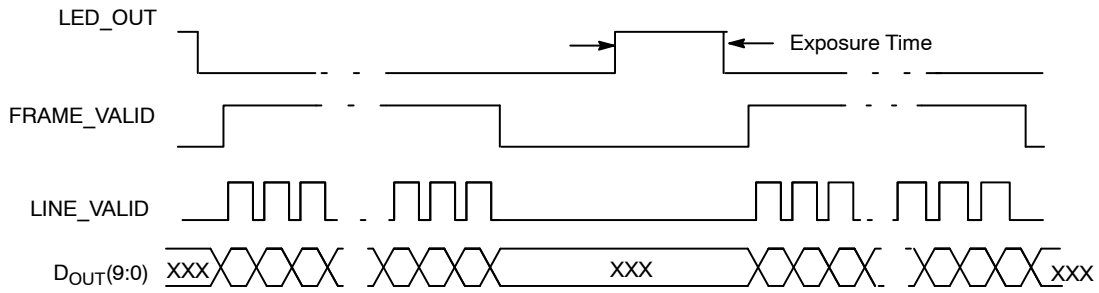


Figure 15. Sequential Master Mode Synchronization Waveforms

Snapshot Mode

In snapshot mode the sensor accepts an input trigger signal which initiates exposure, and is immediately followed by readout. Figure 16 shows the interface signals used in snapshot mode. In snapshot mode, the start of the integration period is determined by the externally applied EXPOSURE pulse that is input to the MT9V032. The integration time is preprogrammed via the two-wire serial

interface on R0x0B. After the frame's integration period is complete the readout process commences and the syncs and data are output. Sensor in snapshot mode can capture a single image or a sequence of images. The frame rate may only be controlled by changing the period of the user supplied EXPOSURE pulse train. The frame synchronization waveforms for snapshot mode are shown in Figure 17.

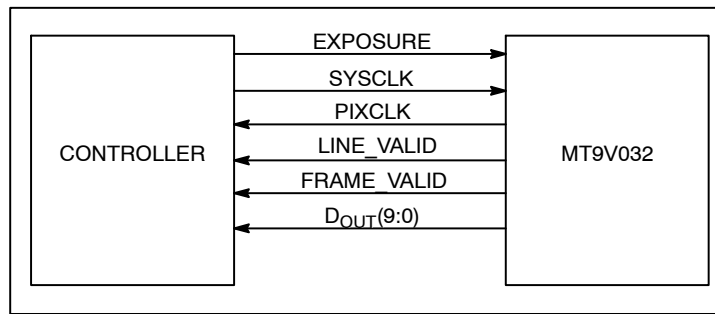


Figure 16. Snapshot Mode Frame Synchronization Waveforms

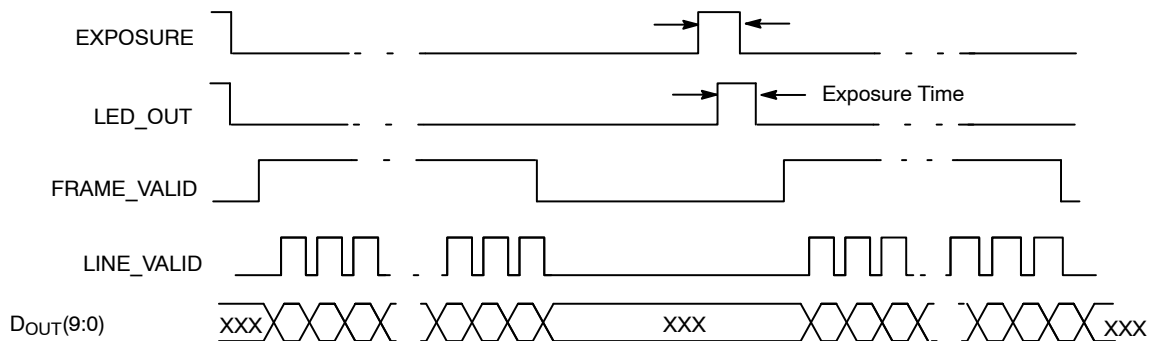


Figure 17. Snapshot Mode Frame Synchronization Waveforms

Slave Mode

In slave mode, the exposure and readout are controlled using the EXPOSURE, STFRM_OUT, and STLN_OUT pins. When the slave mode is enabled, STFRM_OUT and STLN_OUT become input pins.

The start and end of integration are controlled by EXPOSURE and STFRM_OUT pulses, respectively. While a STFRM_OUT pulse is used to stop integration, it is also used to enable the readout process.

MT9V032

After integration is stopped, the user provides STLN_OUT pulses to trigger row readout. A full row of data is read out with each STLN_OUT pulse. The user must provide enough time between successive STLN_OUT pulses to allow the complete readout of one row.

It is also important to provide additional STLN_OUT pulses to allow the sensors to read the vertical blanking rows.

It is recommended that the user program the vertical blank register (R0x06) with a value of 4, and achieve additional vertical blanking between frames by delaying the application of the STFRM_OUT pulse.

The elapsed time between the rising edge of STLN_OUT and the first valid pixel data is [horizontal blanking register (R0x05) + 4] clock cycles.

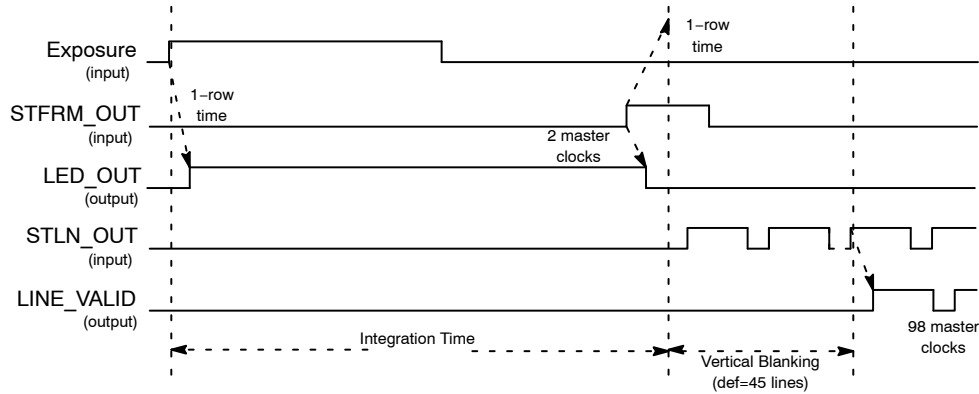


Figure 18. Slave Mode Operation

Signal Path

The MT9V032 signal path consists of a programmable gain, a programmable analog offset, and a 10-bit ADC. See

“Black Level Calibration” for the programmable offset operation description.

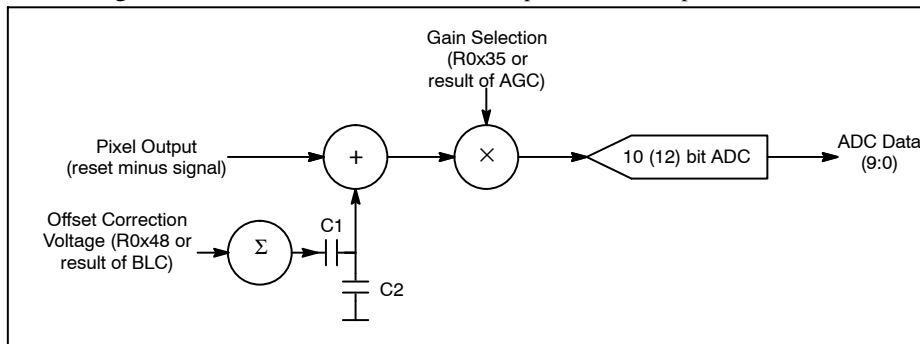


Figure 19. Signal Path

ON-CHIP BIASES**ADC Voltage Reference**

The ADC voltage reference is programmed through R0x2C, bits 2:0. The ADC reference ranges from 1.0V to 2.1V. The default value is 1.4V. The increment size of the voltage reference is 0.1V from 1.0V to 1.6V (R0x2C[2:0] values 0 to 6). At R0x2C[2:0] = 7, the reference voltage jumps to 2.1V.

The effect of the ADC calibration does not scale with V_{REF}. Instead it is a fixed value relative to the output of the analog gain stage. At default, one LSB of calibration equals two LSB in output data ($1\text{LSB}_{\text{Offset}} = 2\text{mV}$, $1\text{LSB}_{\text{ADC}} = 1\text{mV}$).

It is very important to preserve the correct values of the other bits in R0x2C. The default register setting is 0x0004.

V_Step Voltage Reference

This voltage is used for pixel high dynamic range operations, programmable from R0x31 through R0x34.

Chip Version

Chip version registers R0x00 and R0xFF are read-only.

WINDOW CONTROL

Registers R0x01 column start, R0x02 Row Start, R0x03 window height (row size), and R0x04 window width (column size) control the size and starting coordinates of the window.

The values programmed in the window height and width registers are the exact window height and width out of the

sensor. The window start value should never be set below four.

To read out the dark rows set bit 6 of R0x0D. In addition, bit 7 of R0x0D can be used to display the dark columns in the image.

BLANKING CONTROL

Horizontal blanking and vertical blanking registers R0x05 and R0x06 respectively control the blanking time in a row (horizontal blanking) and between frames (vertical blanking).

- Horizontal blanking is specified in terms of pixel clocks.

- Vertical blanking is specified in terms of numbers of rows.

The actual imager timing can be calculated using Table 4 and Table 5 which describe “Row Timing and FRAME_VALID/LINE_VALID signals.” The minimum number of vertical blank rows is 4.

PIXEL INTEGRATION CONTROL

Total Integration

R0x0B Total Shutter Width (In Terms of Number of Rows)

This register (along with the window width and horizontal blanking registers) controls the integration time for the pixels.

The actual total integration time, t_{INT} , is:

$$t_{INT} = (\text{Number of rows of integration} \times \text{row time}) + \text{overhead} \quad (\text{eq. 1})$$

where:

- The number of rows integration is equal to the result of automatic exposure control (AEC) which may vary from frame to frame, or, if AEC is disabled, the value in R0x0B
- Row time = (R0x04 + R0x05) master clock periods
- Overhead = (R0x04 + R0x05 - 255) master clock periods

Typically, the value of R0x0B (total shutter width) is limited to the number of rows per frame (which includes vertical blanking rows), such that the frame rate is not affected by the integration time. If R0x0B is increased beyond the total number of rows per frame, it is required to add additional blanking rows using R0x06 as needed. A second constraint is that t_{INT} must be adjusted to avoid banding in the image from light flicker. Under 60Hz flicker, this means frame time must be a multiple of 1/120 of a second. Under 50Hz flicker, frame time must be a multiple of 1/100 of a second.

Changes to Integration Time

With automatic exposure control disabled (R0xAF, bit 0 is cleared to LOW), and if the total integration time (R0x0B)

is changed through the two-wire serial interface while FRAME_VALID is asserted for frame n , the first frame output using the new integration time is frame $(n + 2)$. Similarly, when automatic exposure control is enabled, any change to the integration time for frame n first appears in frame $(n + 2)$ output.

The sequence is as follows:

1. During frame n , the new integration time is held in the R0x0B live register.
2. At the start of frame $(n + 1)$, the new integration time is transferred to the exposure control module. Integration for each row of frame $(n + 1)$ has been completed using the old integration time. The earliest time that a row can start integrating using the new integration time is immediately after that row has been read for frame $(n + 1)$. The actual time that rows start integrating using the new integration time is dependent on the new value of the integration time.
3. When frame $(n + 1)$ is read out, it is integrated using the new integration time. If the integration time is changed (R0x0B written) on successive frames, each value written is applied to a single frame; the latency between writing a value and it affecting the frame readout remains at two frames. However, when automatic exposure control is disabled, if the integration time is changed through the two-wire serial interface after the falling edge of FRAME_VALID for frame n , the first frame output using the new integration time becomes frame $(n + 3)$.

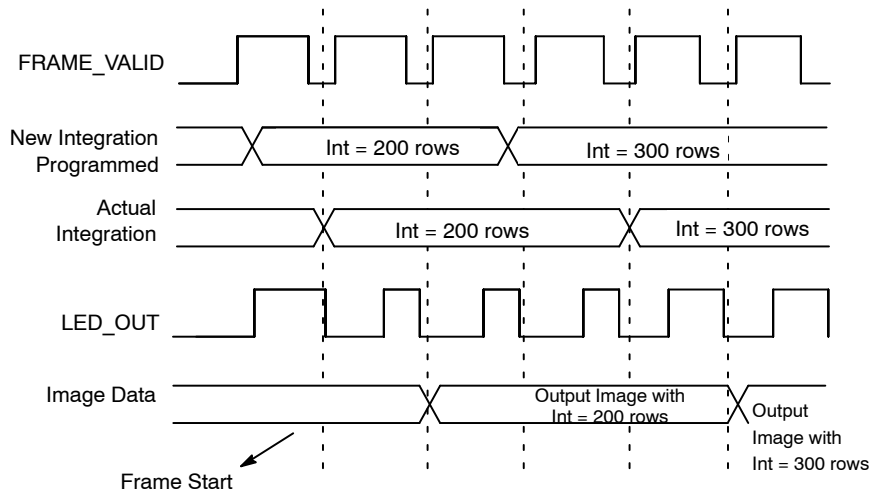


Figure 20. Latency When Changing Integration

Exposure Indicator

The exposure indicator is controlled by:

- R0x1B LED_OUT control

The MT9V032 provides an output pin, LED_OUT, to indicate when the exposure takes place. When R0x1B bit 0 is clear, LED_OUT is HIGH during exposure. By using R0x1B, bit 1, the polarity of the LED_OUT pin can be inverted.

High Dynamic Range

High dynamic range is controlled by:

- R0x08 shutter width 1
- R0x09 shutter width 2

- R0x0A shutter width control
- R0x31–R0x34 V_Step voltages

In the MT9V032, high dynamic range (that is, R0x0F, bit 6 = 1) is achieved by controlling the saturation level of the pixel (HDR or high dynamic range gate) during the exposure period. The sequence of the control voltages at the HDR gate is shown in Figure 21. After the pixels are reset, the step voltage, V_Step, which is applied to HDR gate, is set up at V1 for integration time t₁ then to V2 for time t₂, then V3 for time t₃, and finally it is parked at V4, which also serves as an antiblooming voltage for the photodetector. This sequence of voltages leads to a piecewise linear pixel response, illustrated (in approximates) in Figure 21.

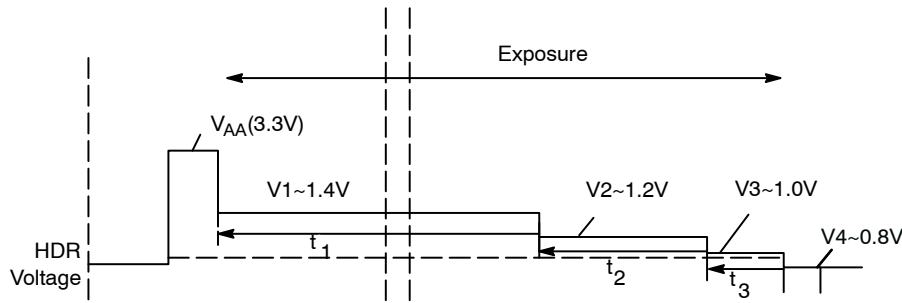


Figure 21. Sequence of Control Voltages at the HDR Gate

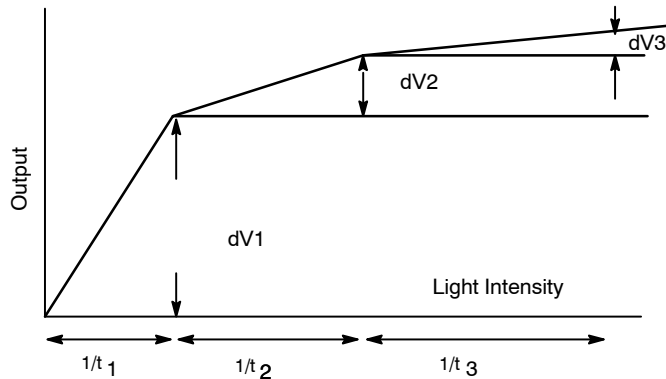


Figure 22. Sequence of Voltages in a Piecewise Linear Pixel Response

The parameters of the step voltage V_Step which takes values V1, V2, and V3 directly affect the position of the knee points in Figure 22.

Light intensities work approximately as a reciprocal of the partial exposure time. Typically, t₁ is the longest exposure, t₂ shorter, and so on. Thus the range of light intensities is shortest for the first slope, providing the highest sensitivity.

The register settings for V_Step and partial exposures are:

V1 = R0x31, bits 4:0

V2 = R0x32, bits 4:0

V3 = R0x33, bits 4:0

V4 = R0x34, bits 4:0

t_{INT} = t₁ + t₂ + t₃

There are two ways to specify the knee points timing, the first by manual setting (default) and the second by automatic knee point adjustment.

When the auto adjust enabler is set to HIGH (LOW by default), the MT9V032 calculates the knee points automatically using the following equations:

$$t_1 = t_{INT} - t_2 - t_3 \tag{eq. 2}$$

$$et_2 = t_{INT} \times (1/2)^{R0x0A, bits 3:0} \tag{eq. 3}$$

$$et_3 = t_{INT} \times (1/2)^{R0x0A, bits 7:4} \tag{eq. 4}$$

As a default for auto exposure, t₂ is 1/16 of t_{INT}, t₃ is 1/64 of t_{INT}.

When the auto adjust enabler is disabled (default), t_1 , t_2 , and t_3 may be programmed through the two-wire serial interface:

$$t_1 = (R0x08, \text{bits } 14:0) \quad (\text{eq. 5})$$

$$t_2 = (R0x09, \text{bits } 14:0) - (R0x08, \text{bits } 14:0) \quad (\text{eq. 6})$$

$$t_3 = t_{INT} - t_1 - t_2 \quad (\text{eq. 7})$$

t_{INT} may be based on the manual setting of R0x0B or the result of the AEC. If the AEC is enabled then the auto knee adjust must also be enabled.

Variable ADC Resolution

By default, ADC resolution of the sensor is 10-bit. Additionally, a companding scheme of 12-bit into 10-bit is enabled by the R0x1C (28). This mode allows higher ADC resolution which means less quantization noise at low-light, and lower resolution at high light, where good ADC quantization is not so critical because of the high level of the photon's shot noise.

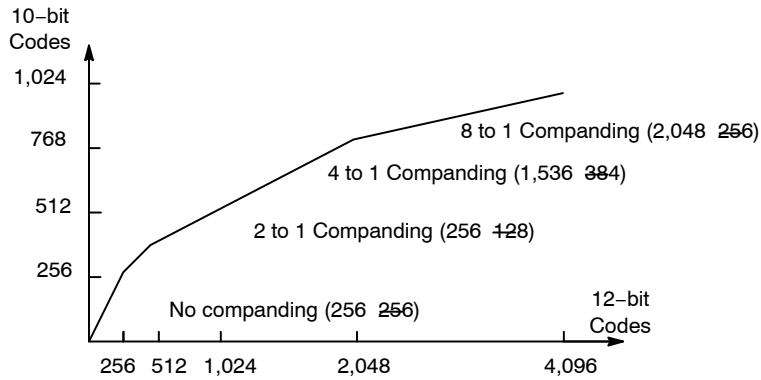


Figure 23. 12-to 10-Bit Companding Chart

GAIN SETTINGS

Changes to Gain Settings

When the digital gain settings (R0x80–R0x98) are changed, the gain is updated on the next frame start. However, the latency for an analog gain change to take effect depends on the automatic gain control.

If automatic gain control is enabled (R0xAF, bit 1 is set to HIGH), the gain changed for frame n first appears in frame

$(n + 1)$; if the automatic gain control is disabled, the gain changed for frame n first appears in frame $(n + 2)$.

Both analog and digital gain change regardless of whether the integration time is also changed simultaneously.

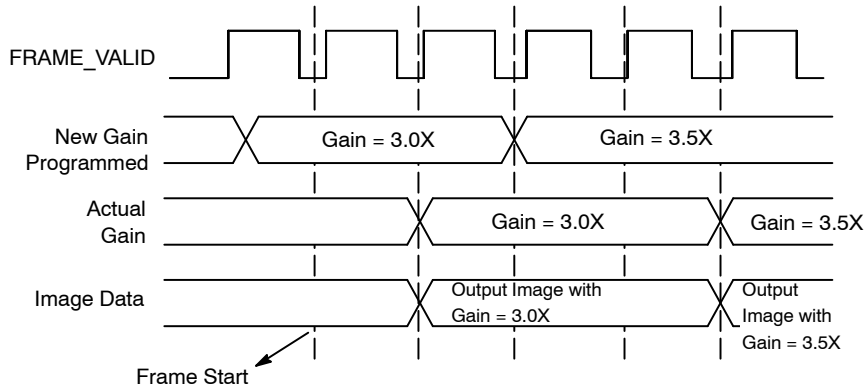


Figure 24. Latency of Analog Gain Change When AGC Is Disabled

MT9V032

Analog Gain

Analog gain is controlled by:

- R0x35 global gain

The formula for gain setting is:

$$\text{Gain} = \text{Bits}[6 : 0] \times 0.0625 \quad (\text{eq. 8})$$

The analog gain range supported in the MT9V032 is 1X–4X with a step size of 6.25 percent. To control gain manually with this register, the sensor must NOT be in AGC mode. When adjusting the luminosity of an image, it is recommended to alter exposure first and yield to gain increases only when the exposure value has reached a maximum limit.

$$\text{Analog gain} = \text{bits}(6 : 0) \times 0.0625 \text{ for values } 16 - 31 \quad (\text{eq. 9})$$

$$\text{Analog gain} = \text{bits}(6 : 0) / 2 \times 0.125 \text{ for values } 32 - 64 \quad (\text{eq. 10})$$

For values 16–31: each LSB increases analog gain 0.0625v/v. A value of 16 = 1X gain. Range: 1X to 1.9375X. For values 32–64: each 2 LSB increases analog gain 0.125v/v (that is, double the gain increase for 2 LSB). Range: 2X to 4X. Odd values do not result in gain increases; the gain increases by 0.125 for values 32, 34, 36, and so on.

Digital Gain

Digital gain is controlled by:

- R0x99–R0xA4 tile coordinates
- R0x80–R0x98 tiled digital gain and weight

In the MT9V032, the image may be divided into 25 tiles, as shown in Figure 25, through the two-wire serial interface, and apply digital gain individually to each tile.

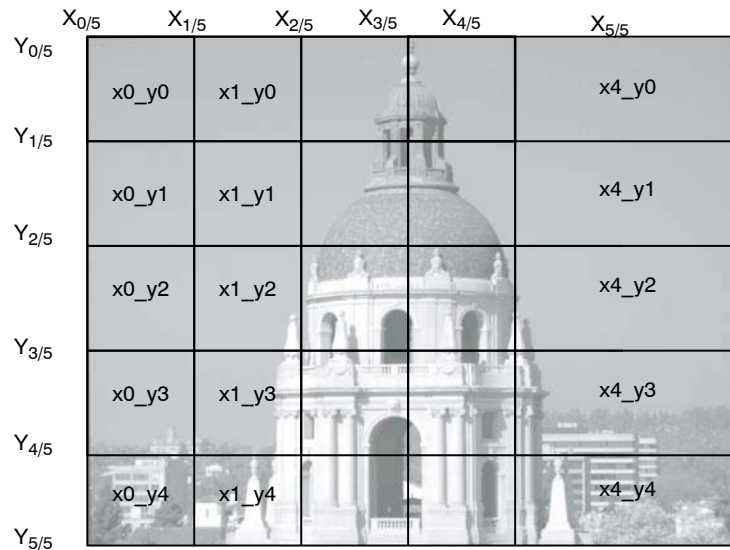


Figure 25. Tiled Sample

Registers 0x99–0x9E and 0x9F–0xA4 represent the coordinates X_{0/5}–X_{5/5} and Y_{0/5}–Y_{5/5} in Figure 25, respectively.

Digital gains of registers 0x80–0x98 apply to their corresponding tiles. The MT9V032 supports a digital gain of 0.25–3.75X.

The formula for digital gain setting is:

$$\text{Digital gain} = \text{Bits}[3 : 0] \times 0.25 \quad (\text{eq. 11})$$

Black Level Calibration

Black level calibration is controlled by:

- R0x4C
- R0x42
- R0x46–R0x48

The MT9V032 has automatic black level calibration on-chip, and if enabled, its result may be used in the offset correction shown in Figure 26.

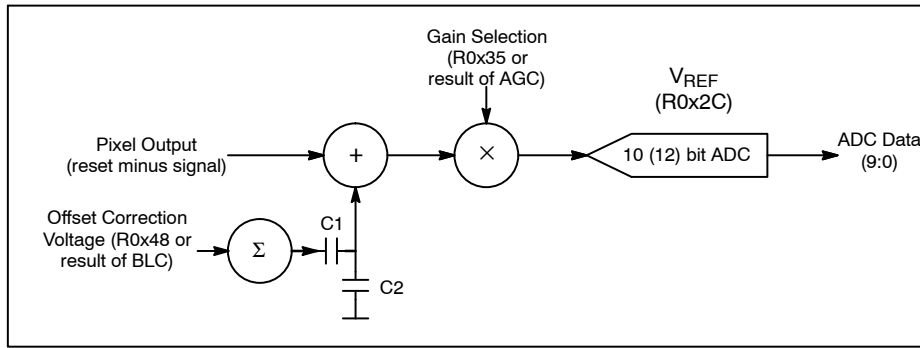


Figure 26. Black Level Calibration Flow Chart

The automatic black level calibration measures the average value of pixels from 2 dark rows (1 dark row if row bin 4 is enabled) of the chip. (The pixels are averaged as if they were light-sensitive and passed through the appropriate gain.)

This row average is then digitally low-pass filtered over many frames (R0x47, bits 7:5) to remove temporal noise and random instabilities associated with this measurement.

Then, the new filtered average is compared to a minimum acceptable level, low threshold, and a maximum acceptable level, high threshold.

If the average is lower than the minimum acceptable level, the offset correction voltage is increased by a programmable offset LSB in R0x4C. (Default step size is 2 LSB Offset = 1 ADC LSB at analog gain = 1X.)

If it is above the maximum level, the offset correction voltage is decreased by 2 LSB (default).

To avoid oscillation of the black level from below to above, the region the thresholds should be programmed so the difference is at least two times the offset DAC step size.

In normal operation, the black level calibration value/offset correction value is calculated at the beginning of each frame and can be read through the two-wire serial interface from R0x48. This register is an 8-bit signed two's complement value.

However, if R0x47, bit 0 is set to "1," the calibration value in R0x48 may be manually set to override the automatic black level calculation result. This feature can be used in conjunction with the "show dark rows" feature (R0x0D, bit 6) if using an external black level calibration circuit.

The offset correction voltage is generated according to the following formulas:

$$\text{Offset Correction Voltage} = (8 - \text{bit signed two's complement calibration value, } -127\text{ to }127) \times 0.5\text{mV} \quad (\text{eq. 12})$$

$$\text{ADC input voltage} = (\text{Pixel Output Voltage} + \text{Offset Correction Voltage}) \times \text{Analog Gain} \quad (\text{eq. 13})$$

Row-wise Noise Correction

Row-wise noise correction is controlled by the following registers:

- R0x70 row noise control
- R0x72 row noise constant
- R0x73 dark column start

When the row-wise noise cancellation algorithm is enabled, the average value of the dark columns read out is used as a correction for the whole row. The row-wise

correction is in addition to the general black level correction applied to the whole sensor frame and cannot be used to replace the latter. The dark average is subtracted from each pixel belonging to the same row, and then a positive constant is added (R0x72, bits 7:0). This constant should be set to the dark level targeted by the black level algorithm plus the noise expected on the measurements of the averaged values from dark columns; it is meant to prevent clipping from negative noise fluctuations.

$$\text{Pixel value} = \text{ADC value} - \text{dark column average} + \text{row noise constant} \quad (\text{eq. 14})$$

On a per-row basis, the dark column average is calculated from a programmable number of dark columns (pixels) values (R0x70, bits 3:0). The default is 10 dark columns. Of these, the maximum and minimum values are removed and then the average is calculated. If R0x70, bits 3:0 are set to "0" (2 pixels), it is essentially equivalent to disabling the dark average calculation since the average is equal to "0" after the maximum and minimum values are removed.

R0x73 is used to indicate the starting column address of dark pixels that the row-noise correction algorithm uses for calculation. In the MT9V032, dark columns which may be used are 759-776. R0x73 is used to select the starting column for the calculation.

One additional note in setting the row-noise correction register:

$$777 < (\text{R0x73, bits9 : 0}) + \text{number of dark pixels programmed in R0x70, bits3 : 0} - 1 \quad (\text{eq. 15})$$

This is to ensure the column pointer does not go beyond the limit the MT9V032 can support.

Automatic Gain Control and Automatic Exposure Control

The integrated AEC/AGC unit is responsible for ensuring that optimal auto settings of exposure and (analog) gain are computed and updated every frame.

Automatic exposure control (AEC) and automatic gain control (AGC) can be individually enabled or disabled by R0xAF. When AEC is disabled (R0xAF[0] = 0), the sensor uses the manual exposure value in R0x0B. When AGC is disabled (R0xAF[1] = 0), the sensor uses the manual gain value in R0x35. See ON Semiconductor Technical Note TN-09-81, “MT9V032 AEC and AGC Functions,” for further details.

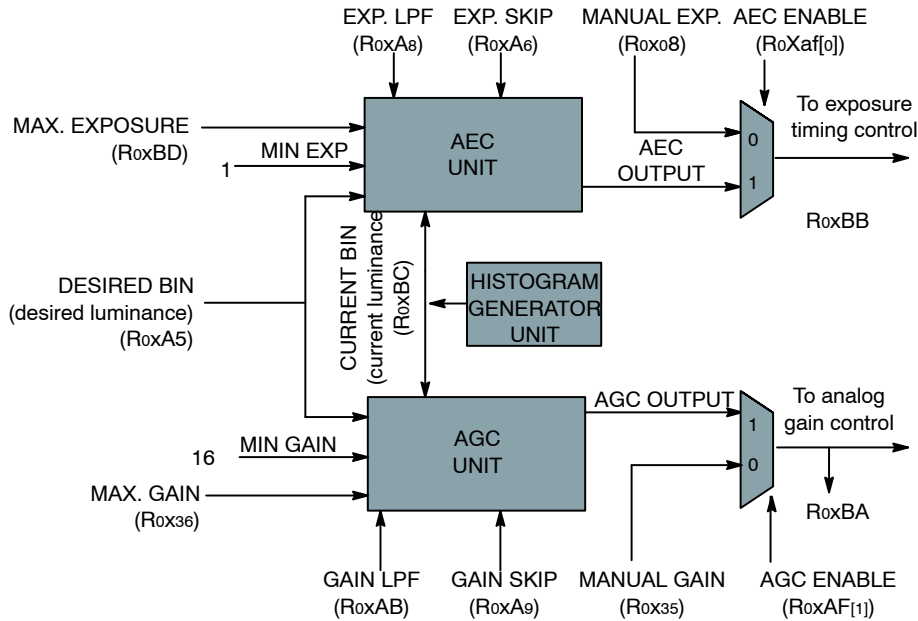


Figure 27. Controllable and Observable AEC/AGC Registers

The exposure is measured in row-time by reading R0xBB. The exposure range is 1 to 2047. The gain is measured in gain-units by reading R0xBA. The gain range is 16 to 63 (unity gain = 16 gain-units; multiply by 1/16 to get the true gain).

When AEC is enabled (R0xAF[0] = 1), the maximum auto exposure value is limited by R0xBD; minimum auto exposure is fixed at 1 row.

When AGC is enabled (R0xAF[1] = 1), the maximum auto gain value is limited by R0x36; minimum auto gain is fixed to 16 gain-units.

The exposure control measures current scene luminosity and desired output luminosity by accumulating a histogram of pixel values while reading out a frame. The desired exposure and gain are then calculated from this for subsequent frame.

Pixel Clock Speed

The pixel clock speed is same as the master clock (SYSCLK) at 26.66 MHz by default. However, when column binning 2 or 4 (R0x0D, bit 2 or 3) is enabled, the pixel clock speed is reduced by half and one-fourth of the master clock speed respectively. See “Read Mode Options” and “Column Binning” for additional information.

Hard Reset of Logic

The RC circuit for the MT9V032 uses a 10kΩ resistor and a 0.1μF capacitor. The rise time for the RC circuit is 1μs maximum.

Soft Reset of Logic

Soft reset of logic is controlled by:

- R0x0C reset

Bit 0 is used to reset the digital logic of the sensor while preserving the existing two-wire serial interface configuration. Furthermore, by asserting the soft reset, the sensor aborts the current frame it is processing and starts a new frame. Bit 1 is a shadowed reset control register bit to explicitly reset the automatic gain and exposure control feature.

These two bits are self-resetting bits and also return to “0” during two-wire serial interface reads.

STANDBY Control

The sensor goes into standby mode by setting STANDBY to HIGH. Once the sensor detects that STANDBY is asserted, it completes the current frame before disabling the digital logic, internal clocks, and analog power enable signal. To release the sensor from the standby mode, reset

STANDBY back to LOW. The LVDS must be powered to ensure that the device is in standby mode. See “Appendix B – Power-On Reset and Standby Timing” for more information on standby.

Monitor Mode Control

Monitor mode is controlled by:

- R0x0E monitor mode enable
- R0xC0 monitor mode image capture control

The sensor goes into monitor mode when R0x0E bit 0 is set to HIGH. In this mode, the sensor first captures a programmable number of frames (R0xC0), then goes into a sleep period for five minutes. The cycle of sleeping for five minutes and waking up to capture a number of frames

continues until R0x0E bit 0 is cleared to return to normal operation.

In some applications when monitor mode is enabled, the purpose of capturing frames is to calibrate the gain and exposure of the scene using automatic gain and exposure control feature. This feature typically takes less than 10 frames to settle. In case a larger number of frames is needed, the value of R0xC0 may be increased to capture more frames.

During the sleep period, none of the analog circuitry and a very small fraction of digital logic (including a five-minute timer) is powered. The master clock (SYSCLK) is therefore always required.

READ MODE OPTIONS

(Also see “Output Data Format” and “Output Data Timing”.)

Column Flip

By setting bit 5 of R0x0D the readout order of the columns is reversed, as shown in Figure 28.

Row Flip

By setting bit 4 of R0x0D the readout order of the rows is reversed, as shown in Figure 29.

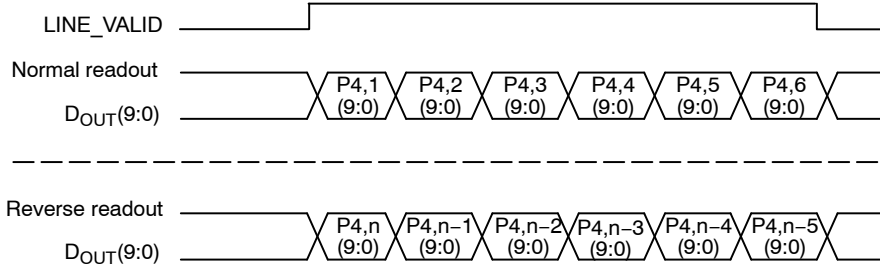


Figure 28. Readout of 6 Pixels in Normal and Column Flip Output Mode

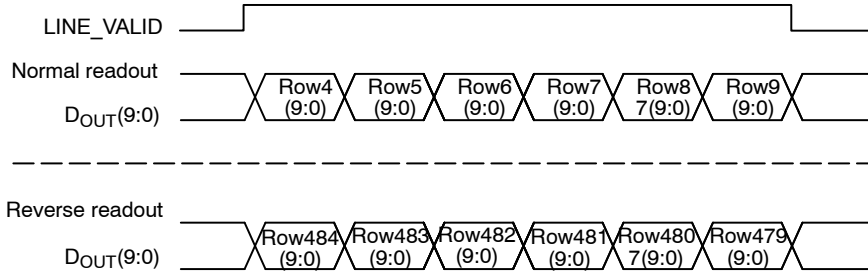


Figure 29. Readout of 6 Rows in Normal and Row Flip Output Mode

Pixel Binning

In addition to windowing mode in which smaller resolution (CIF, QCIF) is obtained by selecting small window from the sensor array, the MT9V032 also provides the ability to show the entire image captured by pixel array with smaller resolution by pixel binning. Pixel binning is based on combining signals from adjacent pixels by averaging. There are two options: binning 2 and binning 4. When binning 2 is on, 4 pixel signals from 2 adjacent rows and columns are combined. In binning 4 mode, 16 pixels are combined from 4 adjacent rows and columns. The image

mode may work in conjunction with image flip. The binning operation increases SNR but decreases resolution.

Enabling row bin2 and row bin4 improves frame rate by 2x and 4x respectively. The feature of column binning does not increase the frame rate in less resolution modes.

Row Binning

By setting bit 0 or 1 of R0x0D, only half or one-fourth of the row set is read out, as shown in Figure 30 below. The number of rows read out is half or one-fourth of what is set in R0x03.

MT9V032

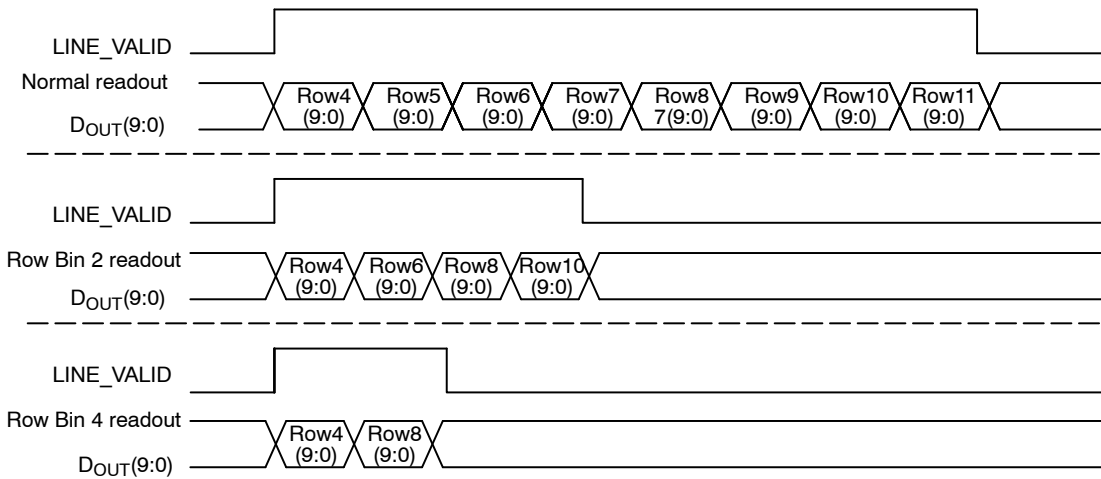


Figure 30. Readout of 8 Pixels in Normal and Row bin Output Mode

Column Binning

In setting bit 2 or 3 of R0x0D, the pixel data rate is slowed down by a factor of either two or four, respectively. This is

due to the overhead time in the digital pixel data processing chain. As a result, the pixel clock speed is also reduced accordingly.

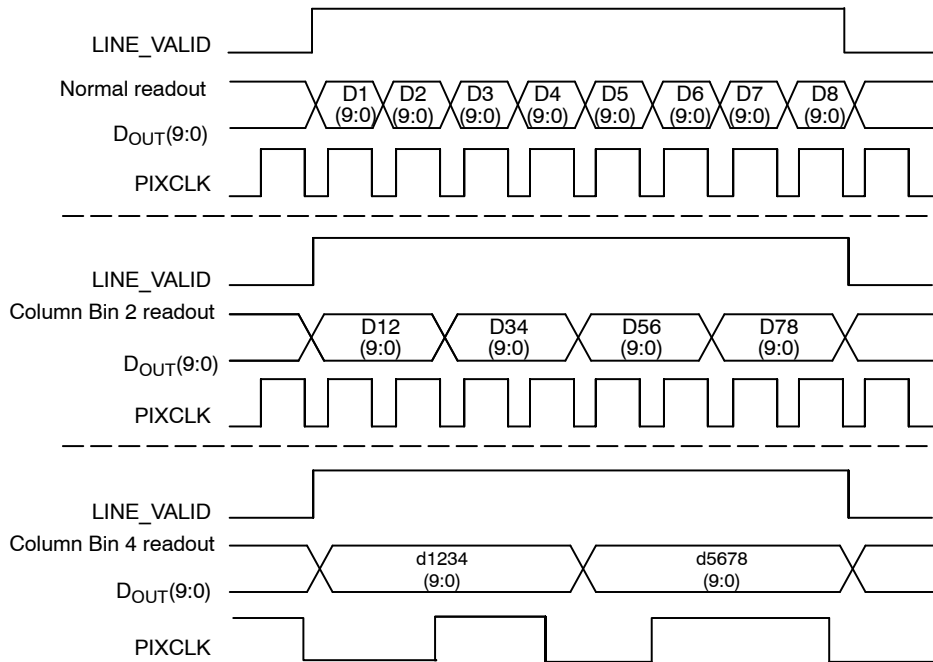


Figure 31. Readout of 8 Pixels in Normal and Column Bin Output Mode

Interlaced Readout

The MT9V032 has two interlaced readout options. By setting R0x07[2:0] = 1, all the even-numbered rows are read out first, followed by a number of programmable field blanking (R0xBF, bits 7:0), and then the odd-numbered rows and finally vertical blanking (minimum is 4 blanking

rows). By setting R0x07[2:0] = 2, only one field is read out; consequently, the number of rows read out is half what is set in R0x03. The row start address (R0x02) determines which field gets read out; if the row start address is even, the even field is read out; if row start address is odd, the odd field is read out.

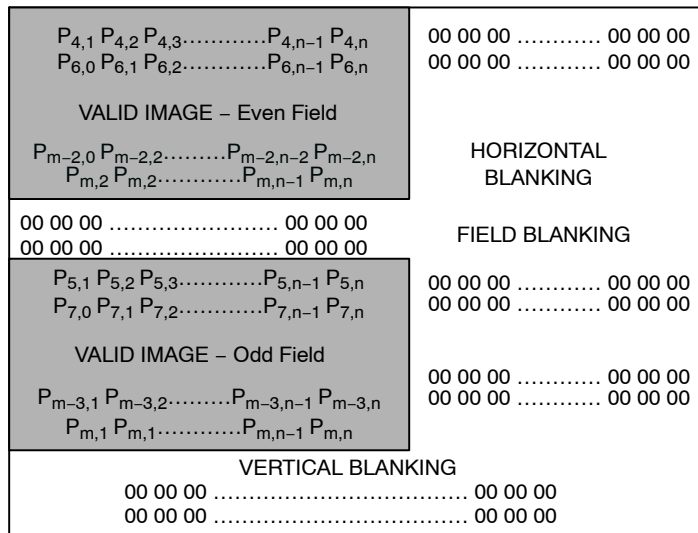


Figure 32. Spatial Illustration of Interlaced Image Readout

When interlaced mode is enabled, the total number of blanking rows are determined by both field blanking register

$$\text{Field Blanking} = R0xBF, \text{ bits } 7 : 0 \quad (\text{eq. 16})$$

$$\text{Vertical Blanking} = R0x06, \text{ bits } 8 : 0 - R0xBF, \text{ bits } 7 : 0 \quad (\text{eq. 17})$$

with

$$\text{minimum vertical blanking requirement} = 4 \quad (\text{eq. 18})$$

Similar to progressive scan, FRAME_VALID is logic LOW during the valid image row only. Binning should not be used in conjunction with interlaced mode.

LINE_VALID

By setting bit 2 and 3 of R0x74, the LINE_VALID signal can get three different output formats. The formats for

(R0xBF) and vertical blanking register (R0x06). The followings are their equations.

reading out four rows and two vertical blanking rows are shown in Figure 33. In the last format, the LINE_VALID signal is the XOR between the continuous LINE_VALID signal and the FRAME_VALID signal.

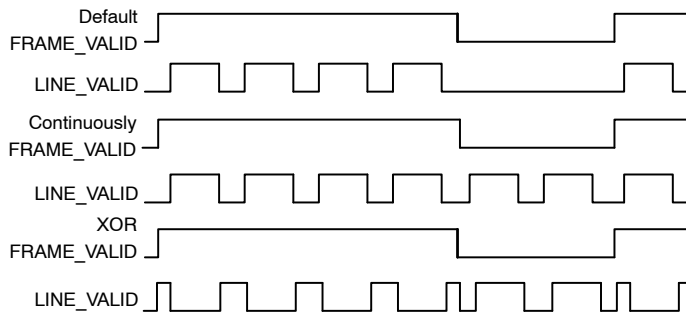


Figure 33. Different LINE_VALID Formats

LVDS Serial (Stand-Alone/Stereo) Output

The LVDS interface allows for the streaming of sensor data serially to a standard off-the-shelf deserializer up to five meters away from the sensor. The pixels (and controls) are packeted—12-bit packets for stand-alone mode and 18-bit packets for stereoscopy mode. All serial signalling (CLK and data) is LVDS. The LVDS serial output could

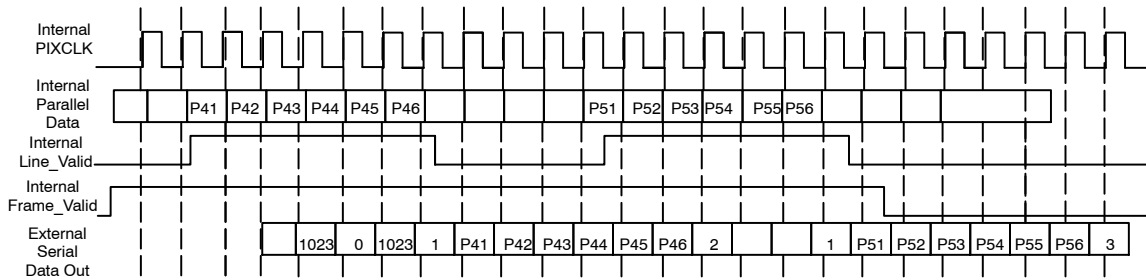
either be data from a single sensor (stand-alone) or stream-merged data from two sensors (self and its stereoscopic slave pair). The appendices describe in detail the topologies for both stand-alone and stereoscopic modes.

There are two standard deserializers that can be used. One for a stand-alone sensor stream and the other from a stereoscopic stream. The deserializer attached to a

stand-alone sensor is able to reproduce the standard parallel output (8-bit pixel data, LINE_VALID, FRAME_VALID and PIXCLK). The deserializer attached to a stereoscopic sensor is able to reproduce 8-bit pixel data from each sensor (with embedded LINE_VALID and FRAME_VALID) and pixel-clk. An additional (simple) piece of logic is required to extract LINE_VALID and FRAME_VALID from the 8-bit pixel data. Irrespective of the mode (stereoscopy/stand-alone), LINE_VALID and FRAME_VALID are always embedded in the pixel data.

In stereoscopic mode, the two sensors run in lock-step, implying all state machines are in the same state at any given time. This is ensured by the sensor-pair getting their sys-clks and sys-resets in the same instance. Configuration

writes through the two-wire serial interface are done in such a way that both sensors can get their configuration updates at once. The inter-sensor serial link is designed in such a way that once the slave PLL locks and the *data-dly*, *shft-clk-dly* and *stream-latency-sel* are configured, the master sensor streams good stereo content irrespective of any variation voltage and/or temperature as long as it is within specification. The configuration values of *data-dly*, *shft-clk-dly* and *stream-latency-sel* are either predetermined from the board layout or can be empirically determined by reading back the stereo-error flag. This flag gets asserted when the two sensor streams are not in sync when merged. The *combo_reg* is used for out-of-sync diagnosis.



- NOTES: 1. External pixel values of 0, 1, 2, 3, are reserved (they only convey control information). Any raw pixel of value 0, 1, 2 and 3 will be substituted with 4.
 2. The external pixel sequence 1023, 0, 1023 is a reserved sequence (conveys control information). Any raw pixel sequence of 1023, 0, 1023 will be substituted with 1023, 4, 1023.

Figure 34. Serial Output Format for 6x2 Frame

LVDS Output Format

In stand-alone mode, the packet size is 12 bits (2 frame bits and 10 payload bits); 10-bit pixels or 8-bit pixels can be selected. In 8-bit pixel mode (R0xB6[0] = 0), the packet

consists of a start bit, 8-bit pixel data (with sync codes), the line valid bit, the frame valid bit and the stop bit. For 10-bit pixel mode (R0xB6[0] = 1), the packet consists of a start bit, 10-bit pixel data, and the stop bit.

Table 9. LVDS PACKET FORMAT IN STAND-ALONE MODE (Stereoscopy Mode Bit De-Asserted)

| 12 Bit Packet | Use_10-bit_pixels Bit De-Asserted (8-Bit Mode) | Use_10-bit_pixels Bit Asserted (10-Bit Mode) |
|---------------|------------------------------------------------|----------------------------------------------|
| Bit[0] | 1'b1(Start bit) | 1'b1(Start bit) |
| Bit[1] | PixelData[2] | PixelData[0] |
| Bit[2] | PixelData[3] | PixelData[1] |
| Bit[3] | PixelData[4] | PixelData[2] |
| Bit[4] | PixelData[5] | PixelData[3] |
| Bit[5] | PixelData[6] | PixelData[4] |
| Bit[6] | PixelData[7] | PixelData[5] |
| Bit[7] | PixelData[8] | PixelData[6] |
| Bit[8] | PixelData[9] | PixelData[7] |
| Bit[9] | Line_Valid | PixelData[8] |
| Bit[10] | Frame_Valid | PixelData[9] |
| Bit[11] | 1'b0(Stop bit) | 1'b0(Stop bit) |

In stereoscopic mode (see Figure 47), the packet size is 18 bits (2 frame bits and 16 payload bits). The packet consists

of a start byte, the master pixel byte (with sync codes), the slave byte (with sync codes), and the stop bit.)

Table 10. LVDS PACKET FORMAT IN STEREOSCOPY MODE (Stereoscopy Mode Bit Asserted)

| 18-bit Packet | Function |
|---------------|------------------------------|
| Bit[0] | 1'b1 (Start bit) |
| Bit[1] | Master Sensor Pixel Data [2] |
| Bit[2] | Master Sensor Pixel Data [3] |
| Bit[3] | Master Sensor Pixel Data [4] |
| Bit[4] | Master Sensor Pixel Data [5] |
| Bit[5] | Master Sensor Pixel Data [6] |
| Bit[6] | Master Sensor Pixel Data [7] |
| Bit[7] | Master Sensor Pixel Data [8] |
| Bit[8] | Master Sensor Pixel Data [9] |
| Bit[9] | Slave Sensor Pixel Data [2] |
| Bit[10] | Slave Sensor Pixel Data [3] |
| Bit[11] | Slave Sensor Pixel Data [4] |
| Bit[12] | Slave Sensor Pixel Data [5] |
| Bit[13] | Slave Sensor Pixel Data [6] |
| Bit[14] | Slave Sensor Pixel Data [7] |
| Bit[15] | Slave Sensor Pixel Data [8] |
| Bit[16] | Slave Sensor Pixel Data [9] |
| Bit[17] | 1'b0 (Stop bit) |

Control signals LINE_VALID and FRAME_VALID can be reconstructed from their respective preceding and

succeeding flags that are always embedded within the pixel data in the form of reserved words.

Table 11. RESERVED WORDS IN THE PIXEL DATA STREAM

| Pixel Data Reserved Word | Flag |
|--------------------------|-----------------------------------|
| 0 | Precedes frame valid assertion |
| 1 | Precedes line valid assertion |
| 2 | Succeeds line valid de-assertion |
| 3 | Succeeds frame valid de-assertion |

When LVDS mode is enabled along with column binning (bin 2 or bin 4, R0x0D[3:2]), the packet size remains the same but the serial pixel data stream repeats itself depending on whether 2X or 4X binning is set:

- For bin 2, LVDS outputs double the expected data (pixel 0,0 is output twice in sequence, followed by pixel 0,1 twice, . . .).
- For bin 4, LVDS outputs 4 times the expected data (pixel 0,0 is output 4 times in sequence followed by pixel 0,1 times 4, . . .).

The receiving hardware will need to undersample the output stream getting data either every 2 clocks (bin 2) or every 4 (bin 4) clocks.

If the sensor provides a pixel whose value is 0,1, 2, or 3 (that is, the same as a reserved word) then the outgoing serial pixel value is switched to 4

ELECTRICAL SPECIFICATIONS

Table 12. DC ELECTRICAL CHARACTERISTICS ($V_{PWR} = 3.3V \pm 0.3V$; $T_A = \text{Ambient} = 25^\circ\text{C}$)

| Symbol | Definition | Condition | Minimum | Typical | Maximum | Unit |
|-------------------------------------|-----------------------------------------------|--------------------------------------------------------------------------------|-----------------|---------|-----------------|------|
| V _{IH} | Input high voltage | | $V_{PWR} - 0.5$ | – | $V_{PWR} + 0.3$ | V |
| V _{IL} | Input low voltage | | –0.3 | – | 0.8 | V |
| I _{IN} | Input leakage current | No pull-up resistor; V _{IN} = V _{PWR} or V _{GND} | –15.0 | – | 15.0 | μA |
| V _{OH} | Output high voltage | I _{OH} = –4.0mA | $V_{PWR} - 0.7$ | – | – | V |
| V _{OL} | Output low voltage | I _{OL} = 4.0mA | – | – | 0.3 | V |
| I _{OH} | Output high current | V _{OH} = V _{DD} – 0.7 | –9.0 | – | – | mA |
| I _{OL} | Output low current | V _{OL} = 0.7 | – | – | 9.0 | mA |
| V _{AA} | Analog power supply | Default settings | 3.0 | 3.3 | 3.6 | V |
| I _{PWRA} | Analog supply current | Default settings | – | 35.0 | 60.0 | mA |
| V _{DD} | Digital power supply | Default settings | 3.0 | 3.3 | 3.6 | V |
| I _{PWRD} | Digital supply current | Default settings, C _{LOAD} = 10pF | – | 35.0 | 60 | mA |
| V _{AAPIX} | Pixel array power supply | Default settings | 3.0 | 3.3 | 3.6 | V |
| I _{PIX} | Pixel supply current | Default settings | 0.5 | 1.4 | 3.0 | mA |
| V _{LVDS} | LVDS power supply | Default settings | 3.0 | 3.3 | 3.6 | V |
| I _{LVDS} | LVDS supply current | Default settings | 11.0 | 13.0 | 15.0 | mA |
| I _{PWRA Standby} | Analog standby supply current | STDBY = V _{DD} | 2 | 3 | 4 | μA |
| I _{PWRD Standby Clock Off} | Digital standby supply current with clock off | STDBY = V _{DD} , CLKIN = 0 MHz | 1 | 2 | 4 | μA |
| I _{PWRD Standby Clock On} | Digital standby supply current with clock on | STDBY= V _{DD} , CLKIN = 27 MHz | – | 1.05 | – | mA |

LVDS DRIVER DC SPECIFICATIONS

| | | | | | | |
|------------------|---------------------------------------------------------------|---------------------------------------|-----|-----|-----|----|
| V _{OD} | Output differential voltage | R _{LOAD} = 100 Ω ± 1% | 250 | – | 400 | mV |
| DV _{OD} | Change in V _{OD} between complementary output states | | – | – | 50 | mV |
| V _{OS} | Output offset voltage | | 1.0 | 1.2 | 1.4 | mV |
| DV _{OS} | Change in V _{OS} between complementary output states | | – | – | 35 | mV |
| I _{OS} | Output current when driver shorted to ground | | | ±10 | ±12 | mA |
| I _{OZ} | Output current when driver is tri-state | | | ±1 | ±10 | μA |

LVDS RECEIVER DC SPECIFICATIONS

| | | | | | | |
|--------------------|--------------------|----------------------------|------|---|-----|----|
| V _{IDTH+} | Input differential | V _{GPD} < 925mV | –100 | – | 100 | mV |
| I _{IN} | Input current | | – | – | ±20 | μA |

Table 13. ABSOLUTE MAXIMUM RATINGS

| Symbol | Parameter | Minimum | Maximum | Unit |
|-------------------------------|-------------------------------------|---------|-----------------------|------|
| V _{SUPPLY} | Power supply voltage (all supplies) | -0.3 | 4.5 | V |
| I _{SUPPLY} | Total power supply current | - | 200 | mA |
| I _{GND} | Total ground current | - | 200 | mA |
| V _{IN} | DC input voltage | -0.3 | V _{DD} + 0.3 | V |
| V _{OUT} | DC output voltage | -0.3 | V _{DD} + 0.3 | V |
| T _{STG} ¹ | Storage temperature | -40 | +125 | °C |

Stresses exceeding those listed in the Maximum Ratings table may damage the device. If any of these limits are exceeded, device functionality should not be assumed, damage may occur and reliability may be affected.

5. This is a stress rating only, and functional operation of the device at these or any other conditions above those indicated in the operational sections of this specification is not implied.

Exposure to absolute maximum rating conditions for extended periods may affect reliability.

Table 14. AC ELECTRICAL CHARACTERISTICS (V_{PWR} = 3.3V ±0.3V; T_A = Ambient = 25°C; Output Load = 10pF)

| Definition | Symbol | Condition | Min | Typ | Max | Unit |
|-------------------|---------------------------------------------|--------------------------|------|------|------|------|
| SYSCLK | Input clock frequency | Note 1 | 13.0 | 26.6 | 27.0 | MHz |
| | Clock duty cycle | | 45.0 | 50.0 | 55.0 | % |
| t _R | Input clock rise time | | 1 | 2 | 5 | ns |
| t _F | Input clock fall time | | 1 | 2 | 5 | ns |
| t _{PLHP} | SYSCLK to PIXCLK propagation delay | C _{LOAD} = 10pF | 3 | 7 | 11 | ns |
| t _{PD} | PIXCLK to valid DOUT(9:0) propagation delay | C _{LOAD} = 10pF | -2 | 0 | 2 | ns |
| t _{SD} | Data setup time | | 14 | 16 | - | ns |
| t _{HD} | Data hold time | | 14 | 16 | - | ns |
| t _{PFLR} | PIXCLK to LINE_VALID propagation delay | C _{LOAD} = 10pF | -2 | 0 | 2 | ns |
| t _{PFLF} | PIXCLK to FRAME_VALID propagation delay | C _{LOAD} = 10pF | -2 | 0 | 2 | ns |

6. The frequency range specified applies only to the parallel output mode of operation.

Propagation Delays for PIXCLK and Data Out Signals

The pixel clock is inverted and delayed relative to the master clock. The relative delay from the master clock (SYSCLK) rising edge to both the pixel clock (PIXCLK) falling edge and the data output transition is typically 7ns. Note that the falling edge of the pixel clock occurs at approximately the same time as the data output transitions. See Table 14 for data setup and hold times.

Propagation Delays for FRAME_VALID and LINE_VALID Signals

The LINE_VALID and FRAME_VALID signals change on the same rising master clock edge as the data output. The LINE_VALID goes HIGH on the same rising master clock edge as the output of the first valid pixel's data and returns LOW on the same master clock rising edge as the end of the output of the last valid pixel's data.

As shown in the Output Data Timing, FRAME_VALID goes HIGH 143 pixel clocks before the first

MT9V032

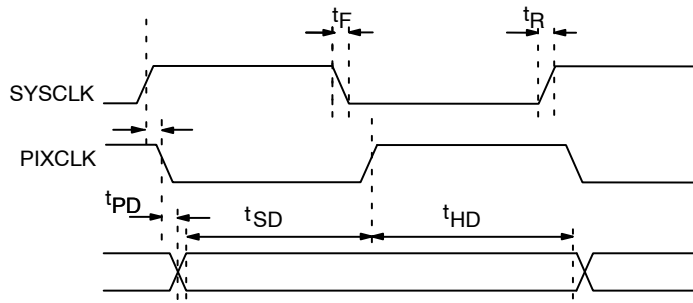


Figure 35. Propagation Delays for PIXCLK and Data Out Signals

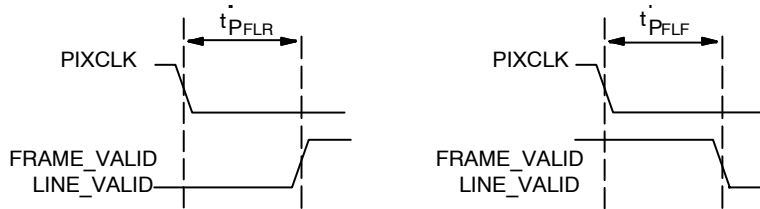


Figure 36. Propagation Delays for FRAME_VALID and LINE_VALID Signals

Performance Specifications

Table 15 summarizes the specification for each performance parameter.

Table 15. PERFORMANCE SPECIFICATIONS

| Parameter | Unit | Minimum | Typical | Maximum | Test Number |
|---------------|------|---------|---------|---------|-------------|
| Sensitivity | LSB | 400 | 572 | 745 | 1 |
| DSNU | LSB | N/A | 2.3 | 7.0 | 2 |
| PRNU | % | N/A | 1.3 | 4.0 | 3 |
| Dynamic Range | dB | 52.0 | 54.4 | N/A | 4 |
| SNR | dB | 33.0 | 37.3 | N/A | 5 |

NOTES: All specifications address operation is at $T_A = 25^\circ\text{C}$ ($\pm 3^\circ\text{C}$) and supply voltage = 3.3V. Image sensor was tested without a lens. Multiple images were captured and analyzed.

Setup: VDD = VAA = VAAPIX = LVDSVDD = 3.3V. Testing was done with default frame timing and default register settings, with the exception of AEC/AGC, row noise correction, and auto black level, which were disabled.

Performance definitions are detailed in the following sections.

Test 1: Sensitivity

A flat-field light source (90 lux, color temperature 4400K, broadband, w/ IR cut filter) is used as an illumination source. Signals are measured in LSB on the sensor output. A series of four frames are captured and averaged to obtain a scalar sensitivity output code.

Test 2: Dark Signal Nonuniformity (DSNU)

The image sensor is held in the dark. Analog gain is changed to the maximum setting of 4X. Signals are measured in LSB on the sensor output. A series of four frames are captured and averaged (pixel-by-pixel) into one average frame. DSNU is calculated as the standard deviation of this average frame.

Test 3: Photo Response Nonuniformity (PRNU)

A flat-field light source (90 lux, color temperature 4400K, broadband, with IR cut filter) is used as an illumination source. Signals are measured in LSB on the sensor output. Two series of four frames are captured and averaged (pixel-by-pixel) into one average frame, one series is captured under illuminated conditions, and one is captured in the dark. PRNU is expressed as a percentage relating the standard deviation of the average frames difference (illuminated frame – dark frame) to the average illumination level:

$$PRNU = 100 \times \frac{\sqrt{\frac{1}{N_p} \cdot \sum_{i=1}^{N_p} (S_{illumination(i)} - S_{dark(i)})^2}}{\frac{1}{N_p} \sum_{i=1}^{N_p} S_{illumination(i)}} \quad (\text{eq. 19})$$

Where $S_{illumination(i)}$ is the signal measured for the i -th pixel from the average illuminated frame, S_{dark} is the signal measured for the i -th pixel from the average dark frame, and N_p is the total number of pixels contained in the array.

Test 4: Dynamic Range

A temporal noise measurement is made with the image sensor in the dark and analog gain changed to the maximum setting of 4X. Signals are measured in LSB on the sensor output. Two consecutive dark frames are captured. Temporal noise is calculated as the average pixel value of the difference frame:

$$\sigma_t = \sqrt{\frac{\sum_{p_i=1}^{N_p} (S_{1i} - S_{2i})^2}{2 \cdot N_p}} \quad (\text{eq. 20})$$

Where S_{1i} is the signal measured for the i -th pixel from the first frame, S_{2i} is the signal measured for the i -th pixel from the second frame, and N_p is the total number of pixels contained in the array.

The dynamic range is calculated according to the following formula:

$$\text{DynamicRange} = 20 \log \frac{(4 \times 1022)}{\sigma_t} \quad (\text{eq. 21})$$

Where σ_t is the temporal noise measured in the dark at 4X gain.

Test 5: Signal-to-Noise Ratio

A flat-field light source (90 lux, color temperature 4400K, broadband, with IR cut filter) is used as an illumination source. Signals are measured in LSB on the sensor output. Two consecutive illuminated frames are captured. Temporal noise is calculated as the average pixel value of the difference frame (according to the formula shown in Test 4).

The signal-to-noise ratio is calculated as the ratio of the average signal level to the temporal noise according to the following formula:

$$\text{Signal - to - Noise - Ratio} = 20 \log \frac{((\sum_{p_i=1}^{N_p} S_{1i})/N_p)}{\sigma_t} \quad (\text{eq. 22})$$

Where σ_t is the temporal noise measured from the illuminated frames, S_{1i} is the signal measured for the i -th pixel from the first frame, and N_p is the total number of pixels contained in the array.

Two-Wire Serial Bus Timing

The two-wire serial bus operation requires certain minimum master clock cycles between transitions. These are specified in the following diagrams in master clock cycles.

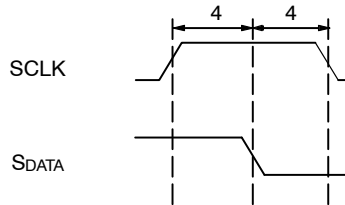
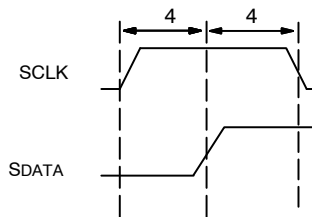


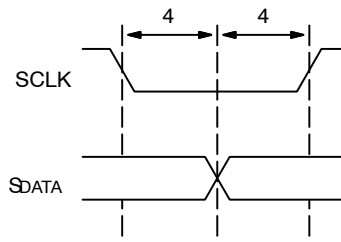
Figure 37. Serial Host Interface Start Condition Timing



NOTE: All timing are in units of master clock cycle.

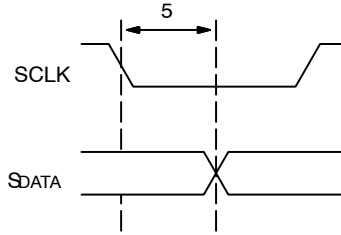
Figure 38. Serial Host Interface Stop Condition Timing

MT9V032



NOTE: SDATA is driven by an off-chip transmitter.

Figure 39. Serial Host Interface Data Timing for WRITE



NOTE: SDATA is pulled LOW by the sensor, or allowed to be pulled HIGH by a pull-up resistor off-chip.

Figure 40. Serial Host Interface Data Timing for READ

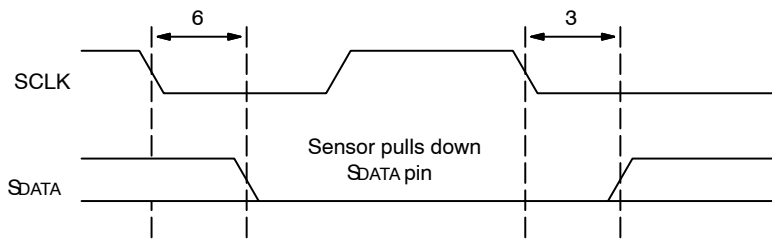
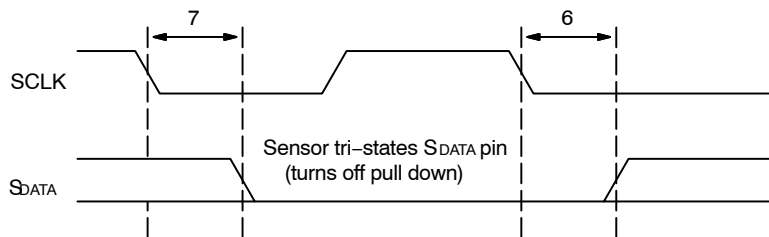


Figure 41. Acknowledge Signal Timing After an 8-Bit WRITE to the Sensor



NOTE: After a READ, the master receiver must pull down SDATA to acknowledge receipt of data bits. When read sequence is complete, the master must generate a "No Acknowledge" by leaving SDATA to float HIGH. On the following cycle, a start or stop bit may be used.

Figure 42. Acknowledge Signal Timing After an 8-Bit READ from the Sensor

MT9V032

TEMPERATURE REFERENCE

The MT9V032 contains a temperature reference circuit that can be used to measure relative temperatures. Contact

your ON Semiconductor field applications engineer (FAE) for more information on using this circuit.

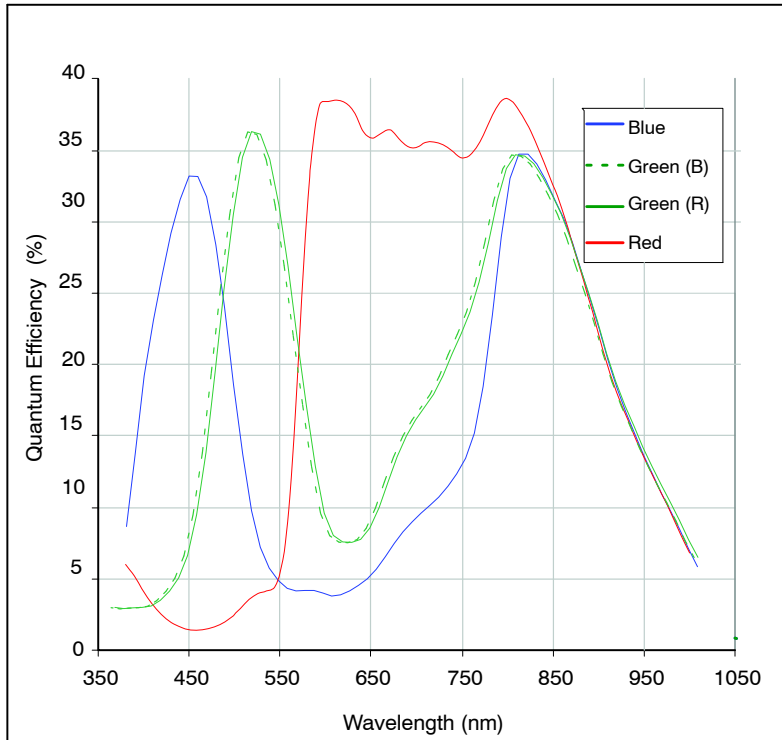


Figure 43. Typical Quantum Efficiency - Color

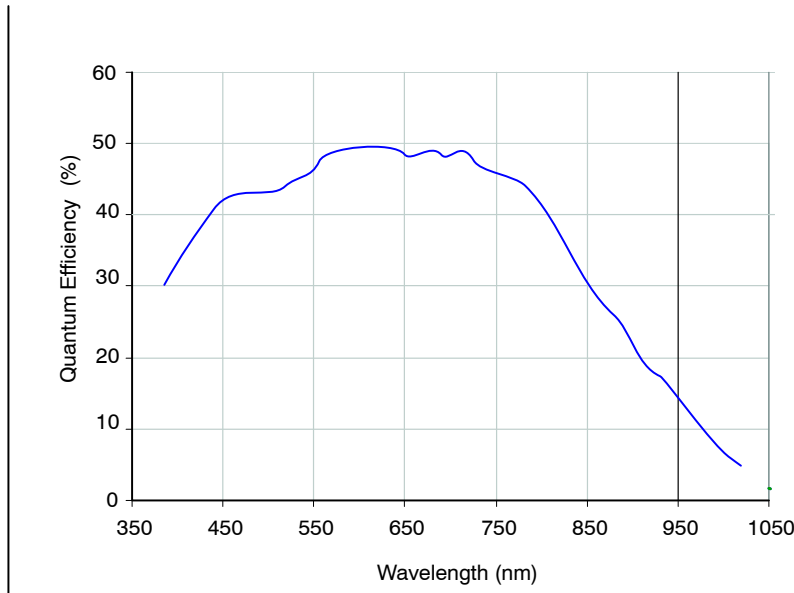


Figure 44. Typical Quantum Efficiency - Monochrome

MT9V032

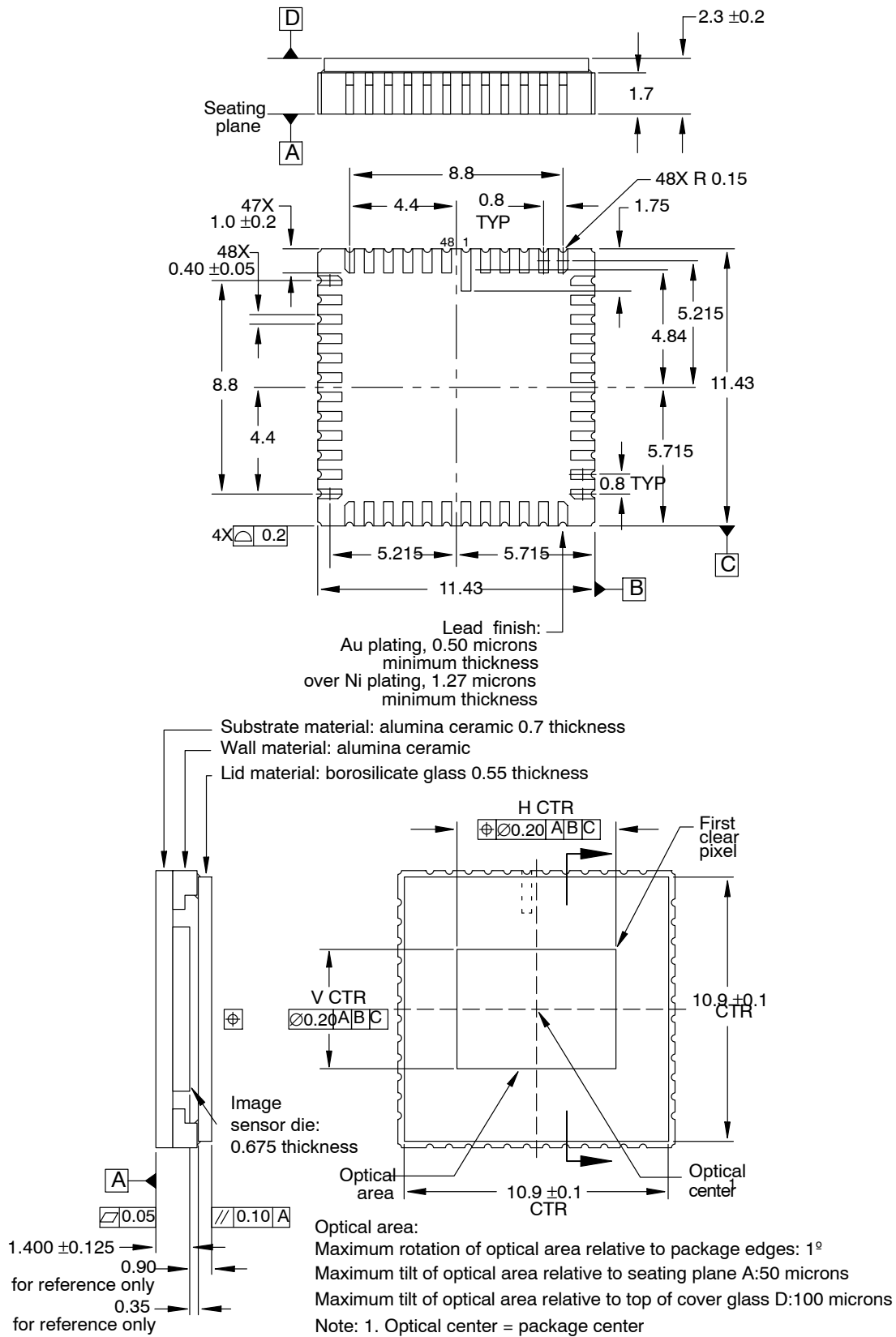


Figure 45. Package Mechanical Drawing (CASE 848AQ)

APPENDIX A – SERIAL CONFIGURATIONS

With the LVDS serial video output, the deserializer can be up to 8 meters from the sensor. The serial link can save on the cabling cost of 14 wires (DOUT[9:0], LINE_VALID, FRAME_VALID, PIXCLK, GND). Instead, just three wires (two serial LVDS, one GND) are sufficient to carry the video signal.

Configuration of Sensor for Stand – Alone Serial Output with Internal PLL

In this configuration, the internal PLL generates the shift-clk (x12). The LVDS pins SER_DATAOUT_P and

SER_DATAOUT_N must be connected to a deserializer (clocked at approximately the same system clock frequency).

Figure 46 shows how a standard off-the-shelf deserializer (National Semiconductor DS92LV1212A) can be used to retrieve the standard parallel video signals of DOUT(9:0), LINE_VALID and FRAME_VALID.

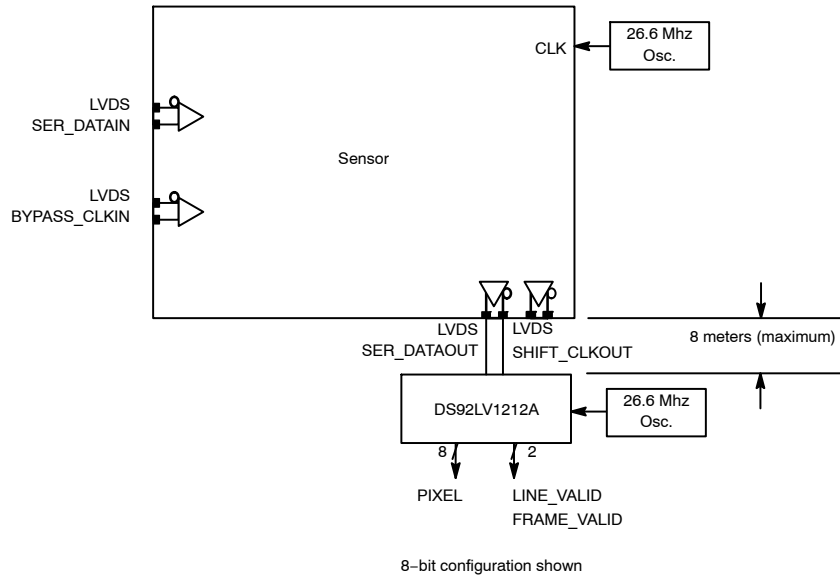


Figure 46. Stand-Alone Topology

Typical configuration of the sensor:

1. Power up sensor.
2. Enable LVDS driver (set R0xB3[4]= 0).
3. De-assert LVDS power-down (set R0xB1[1] = 0).
4. Issue a soft reset (set R0x0C[0] = 1 followed by R0x0C[0] = 0).

If necessary:

5. Force sync patterns for the deserializer to lock (set R0xB5[0] = 1).
6. Stop applying sync patterns (set R0xB5[0] = 0).

Configuration of Sensor for Stereoscopic Serial Output with Internal PPL

In this configuration the internal PLL generates the shift-clk (x18) in phase with the system-clock. The LVDS

pins SER_DATAOUT_P and SER_DATAOUT_N must be connected to a deserializer (clocked at approximately the same system clock frequency).

Figure 47 shows how a standard off-the-shelf deserializer can be used to retrieve back DOUT(9:2) for both the master and slave sensors. Additional logic is required to extract out LINE_VALID and FRAME_VALID embedded within the pixel data stream.

MT9V032

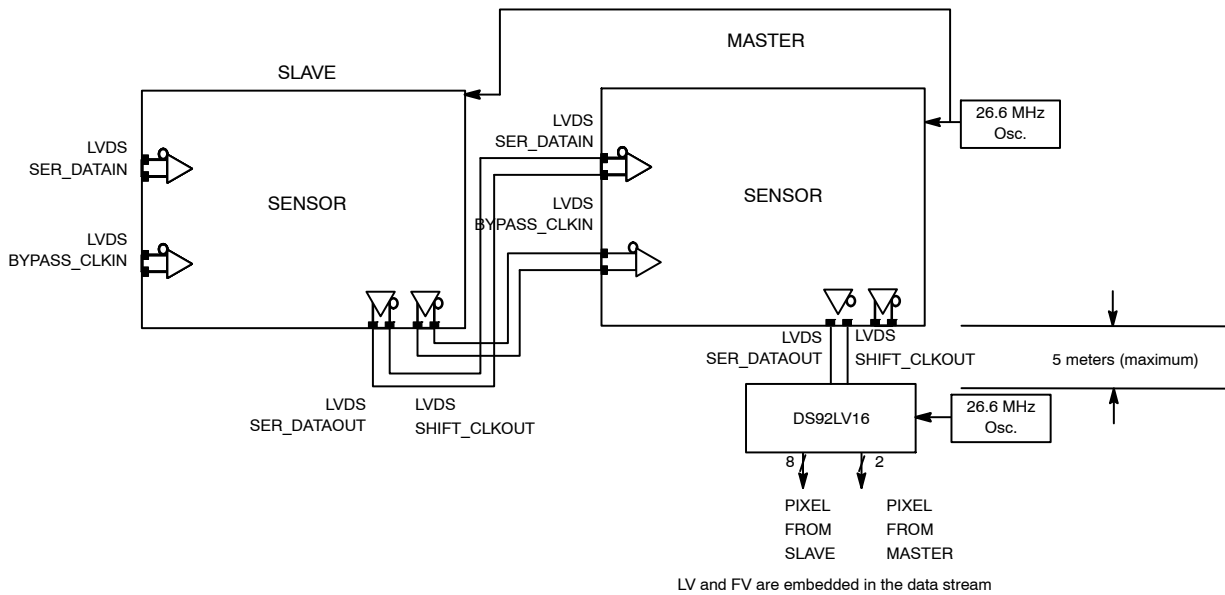


Figure 47. Stereoscopic Topology

Typical configuration of the master and slave sensors:

1. Power up the sensors.
2. Broadcast WRITE to de-assert LVDS power-down (set R0xB1[1] = 0).
3. Individual WRITE to master sensor putting its internal PLL into bypass mode (set R0xB1[0] = 1).
4. Broadcast WRITE to both sensors to set the stereoscopic bit (set R0x07[5] = 1).
5. Make sure all resolution, vertical blanking, horizontal blanking, window size, and AEC/AGC configurations are done through broadcast WRITE to maintain lockstep.
6. Broadcast WRITE to enable LVDS driver (set R0xB3[4] = 0).
7. Broadcast WRITE to enable LVDS receiver (set R0xB2[4] = 0).
8. Individual WRITE to master sensor, putting its internal PLL into bypass mode (set R0xB1[0] = 1).
9. Individual WRITE to slave sensor, enabling its internal PLL (set R0xB1[0] = 0).
10. Individual WRITE to slave sensor, setting it as a stereo slave (set R0x07[6] = 1).
11. Individual WRITES to master sensor to minimize the inter-sensor skew (set R0xB2[2:0],

R0xB3[2:0], and R0xB4[1:0] appropriately). Use R0xB7 and R0xB8 to get lockstep feedback from stereo_error_flag.

12. Broadcast WRITE to issue a soft reset (set R0x0C[0] = 1 followed by R0x0C[0] = 0).

NOTE: The stereo_error_flag is set if a mismatch has occurred at a reserved byte (slave and master sensor's codes at this reserved byte must match). If the flag is set, steps 11 and 12 are repeated until the stereo_error_flag remains cleared.

Broadcast and Individual Writes for Stereoscopic Topology

In stereoscopic mode, the two sensors are required to run in lockstep. This implies that control logic in each sensor is in exactly the same state as its pair on every clock. To ensure this, all inputs that affect control logic must be identical and arrive at the same time at each sensor.

These inputs include:

- system clock
- system reset
- two-wire serial interface clk – SCL
- two-wire serial interface data – SDA

MT9V032

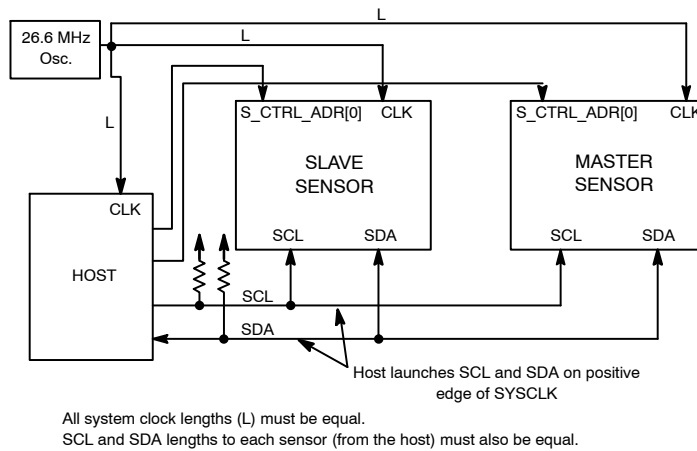


Figure 48. Two-Wire Serial Interface Configuration in Stereoscopic Mode

The setup in Figure 48 shows how the two sensors can maintain lockstep when their configuration registers are written through the two-wire serial interface. A WRITE to configuration registers would either be broadcast (simultaneous WRITES to both sensors) or individual (WRITE to just one sensor at a time). READs from configuration registers would be individual (READs from just one sensor at a time).

One of the two serial interface slave address bits of the sensor is hardwired. The other is controlled by the host. This

allows the host to perform either a broadcast or a one-to-one access.

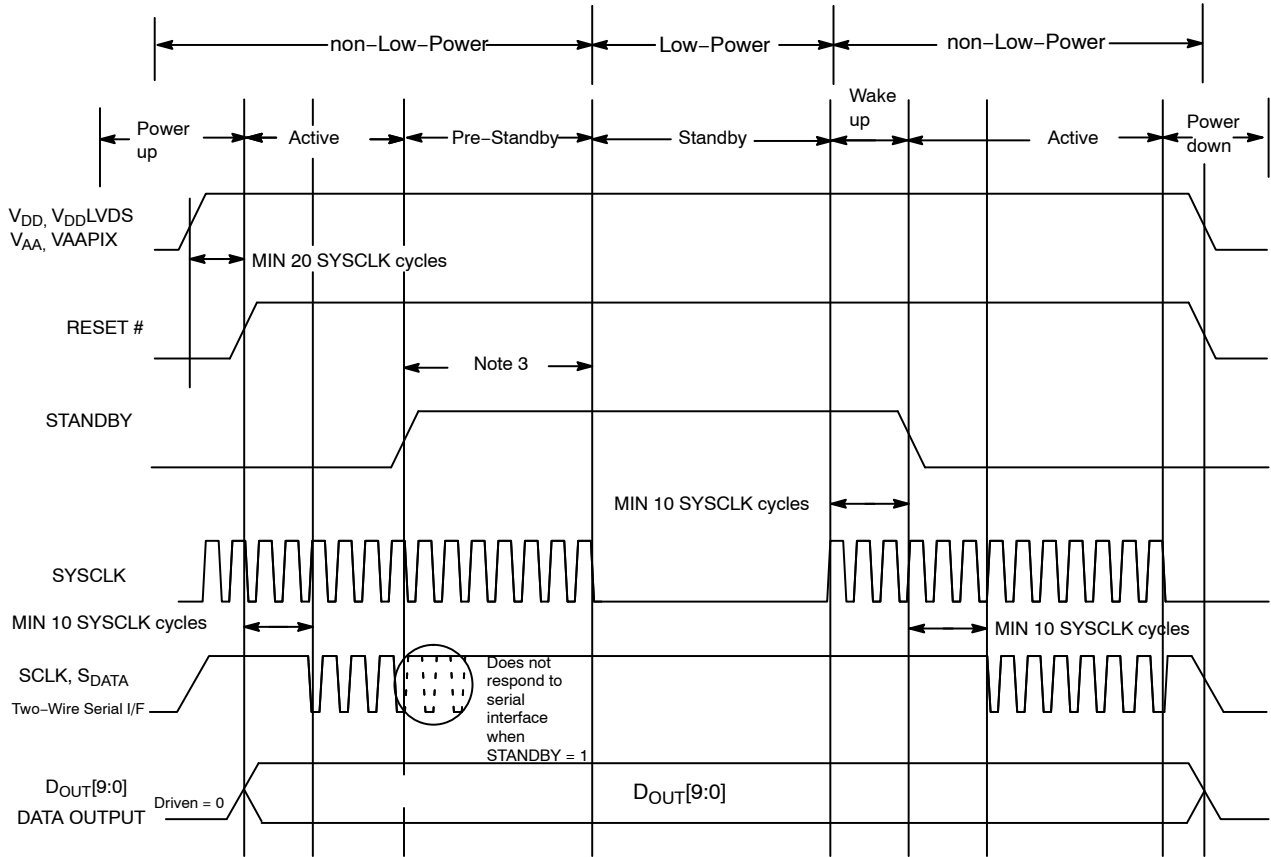
Broadcast WRITES are performed by setting the same S_CTRL_ADR input bit for both slave and master sensor. Individual WRITES are performed by setting opposite S_CTRL_ADR input bit for both slave and master sensor. Similarly, individual READs are performed by setting opposite S_CTRL_ADR input bit for both slave and master sensor.

APPENDIX B – POWER-ON RESET AND STANDBY TIMING

Reset, Clocks, and Standby

There are no constraints concerning the order in which the various power supplies are applied; however, the MT9V032

requires reset in order to operate properly at power-up. Refer to Figure 49 for the power-up, reset, and standby sequences.



1. All output signals are defined during initial power-up with RESET# held LOW without SYSCLK being active. To properly reset the rest of the sensor, during initial power-up, assert RESET# (set to LOW state) for at least 750ns after all power supplies have stabilized and SYSCLK is active (being clocked). Driving RESET# to LOW state does not put the part in a low power state.
2. Before using two-wire serial interface, wait for 10 SYSCLK rising edges after RESET# is de-asserted.
3. Once the sensor detects that STANDBY has been asserted, it completes the current frame readout before entering standby mode. The user must supply enough SYSCLKs to allow a complete frame readout. See Table 4, "Frame Time," for more information.
4. In standby, all video data and synchronization output signals are High-Z.
5. In standby, the two-wire serial interface is not active.

Figure 49. Power-up, Reset, Clock and Standby Sequence

Standby Assertion Restrictions

STANDBY cannot be asserted at any time. If STANDBY is asserted during a specific window within the vertical blanking period, the MT9V032 may enter a permanent standby state. This window (that is, dead zone) occurs prior to the beginning of the new frame readout. The permanent standby state is identified by the absence of the FRAME_VALID signal on frame readouts. Issuing a hardware reset (RESET# set to LOW state) will return the image sensor to default startup conditions.

This dead zone can be avoided by:

1. Asserting STANDBY during the valid frame readout time (FRAME_VALID is HIGH) and

maintaining STANDBY assertion for a minimum of one frame period.

2. Asserting STANDBY at the end of valid frame readout (falling edge of FRAME_VALID) and maintaining STANDBY assertion for a minimum of [5 + R0x06] row-times.

When STANDBY is asserted during the vertical blanking period (FRAME_VALID is LOW), the STANDBY signal must not change state between [Vertical Blanking Register (R0x06) – 5] row-times and [Vertical Blanking Register + 5] row-times after the falling edge of FRAME_VALID.

MT9V032

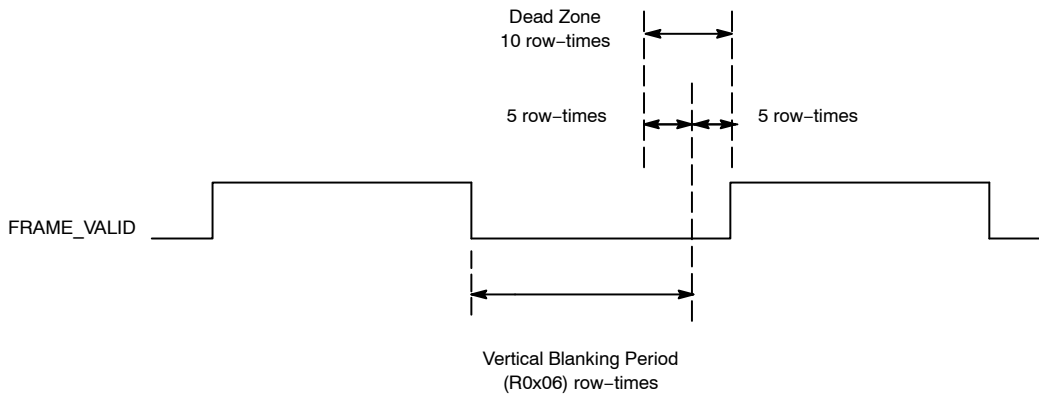



Figure 50. STANDBY Restricted Location

ON Semiconductor and  are trademarks of Semiconductor Components Industries, LLC dba ON Semiconductor or its subsidiaries in the United States and/or other countries. ON Semiconductor owns the rights to a number of patents, trademarks, copyrights, trade secrets, and other intellectual property. A listing of ON Semiconductor's product/patent coverage may be accessed at www.onsemi.com/site/pdf/Patent-Marking.pdf. ON Semiconductor reserves the right to make changes without further notice to any products herein. ON Semiconductor makes no warranty, representation or guarantee regarding the suitability of its products for any particular purpose, nor does ON Semiconductor assume any liability arising out of the application or use of any product or circuit, and specifically disclaims any and all liability, including without limitation special, consequential or incidental damages. Buyer is responsible for its products and applications using ON Semiconductor products, including compliance with all laws, regulations and safety requirements or standards, regardless of any support or applications information provided by ON Semiconductor. "Typical" parameters which may be provided in ON Semiconductor data sheets and/or specifications can and do vary in different applications and actual performance may vary over time. All operating parameters, including "Typicals" must be validated for each customer application by customer's technical experts. ON Semiconductor does not convey any license under its patent rights nor the rights of others. ON Semiconductor products are not designed, intended, or authorized for use as a critical component in life support systems or any FDA Class 3 medical devices or medical devices with a same or similar classification in a foreign jurisdiction or any devices intended for implantation in the human body. Should Buyer purchase or use ON Semiconductor products for any such unintended or unauthorized application, Buyer shall indemnify and hold ON Semiconductor and its officers, employees, subsidiaries, affiliates, and distributors harmless against all claims, costs, damages, and expenses, and reasonable attorney fees arising out of, directly or indirectly, any claim of personal injury or death associated with such unintended or unauthorized use, even if such claim alleges that ON Semiconductor was negligent regarding the design or manufacture of the part. ON Semiconductor is an Equal Opportunity/Affirmative Action Employer. This literature is subject to all applicable copyright laws and is not for resale in any manner.

PUBLICATION ORDERING INFORMATION

LITERATURE FULFILLMENT:

Literature Distribution Center for ON Semiconductor
19521 E. 32nd Pkwy, Aurora, Colorado 80011 USA
Phone: 303-675-2175 or 800-344-3860 Toll Free USA/Canada
Fax: 303-675-2176 or 800-344-3867 Toll Free USA/Canada
Email: orderlit@onsemi.com

N. American Technical Support: 800-282-9855 Toll Free
USA/Canada
Europe, Middle East and Africa Technical Support:
Phone: 421 33 790 2910
Japan Customer Focus Center
Phone: 81-3-5817-1050

ON Semiconductor Website: www.onsemi.com
Order Literature: <http://www.onsemi.com/orderlit>

For additional information, please contact your local Sales Representative