



ON Semiconductor®

<http://onsemi.com>

LB11964FA

Monolithic Digital IC Single-Phase Full-Wave Fan Motor Driver

Overview

The LB11964FA is a single-phase bipolar drive fan motor driver.

Features

- Single-phase full-wave drive
- Built-in regeneration circuit allows the use of reverse connection prevention diodes
- Built-in thermal shutdown circuit

Specifications

Absolute Maximum Ratings at $T_a = 25^\circ\text{C}$

Parameter	Symbol	Conditions	Ratings	Unit
Maximum output voltage	$V_{CC \text{ max}}$		15	V
Maximum output current	$I_{OUT \text{ max}}$		0.5	A
Maximum output voltage	$V_{OUT \text{ max}}$		15	V
FG pin maximum output voltage	$V_R \text{ max}$		15	V
FG maximum output current	$I_R \text{ max}$		5	mA
Allowable power dissipation	$P_d \text{ max}$	When mounted on a circuit board *	400	mW
Operating temperature range	T_{opr}		-30 to +85	$^\circ\text{C}$
Storage temperature range	T_{stg}		-55 to +150	$^\circ\text{C}$

* Specified circuit board : $20.0 \times 10.0 \times 0.8\text{mm}^3$, paper phenol, wiring density: 20%.

Caution 1) Absolute maximum ratings represent the value which cannot be exceeded for any length of time.

Caution 2) Even when the device is used within the range of absolute maximum ratings, as a result of continuous usage under high temperature, high current, high voltage, or drastic temperature change, the reliability of the IC may be degraded. Please contact us for the further details.

Stresses exceeding Maximum Ratings may damage the device. Maximum Ratings are stress ratings only. Functional operation above the Recommended Operating Conditions is not implied. Extended exposure to stresses above the Recommended Operating Conditions may affect device reliability.

LB11964FA

Allowable Operating Ranges at $T_a = 25^\circ\text{C}$

Parameter	Symbol	Conditions	Ratings	Unit
Supply voltage	V_{CC}		3.5 to 13.8	V
Hall sensor input common-mode input voltage range	VICM		0.2 to $V_{CC} - 1.5$	V

Electrical Characteristics Unless otherwise specified $T_a = 25^\circ\text{C}$, $V_{CC} = 5\text{V}$

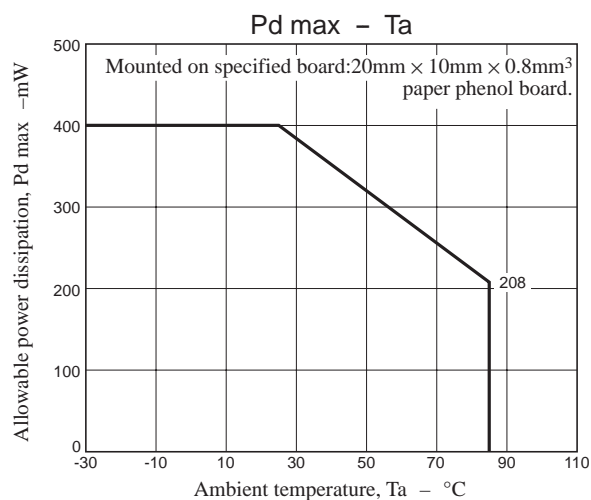
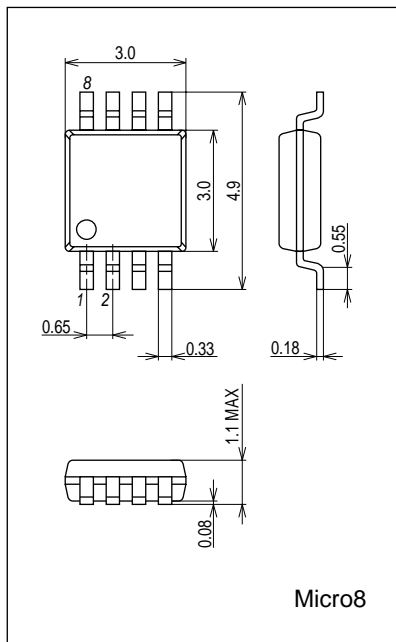
Parameter	Symbol	Conditions	Ratings			Unit
			min	typ	max	
Circuit current	I_{CC}	Drive mode (CT = L)		9.0	14	mA
		Lock protection mode (CT = H)		3.0	5.0	mA
Lock detection capacitor charge current	ICT1	$V_{CT} = 0.2\text{V}$	1.1	1.8	2.6	μA
Capacitor discharge current	ICT2	$V_{CT} = 3.2\text{V}$	0.15	0.25	0.40	μA
Capacitor charge/discharge current ratio	RCT	$RCD = ICT1/ICT2$	5.0	7.0	9.0	-
CT charge current	VC1		2.6	2.9	3.2	V
CT discharge current	VC2		1.5	1.8	2.1	V
Output low-level voltage	V_{OL}	$I_O = 200\text{mA}$		0.2	0.3	V
Output high-level voltage	V_{OH}	$I_O = 200\text{mA}$	3.9	4.1		V
Hall sensor input sensitivity	VHN	Zero peak value (including offset and hysteresis)		7	15	mV
FG output pin low-level voltage	VRD	$IR_D = 5\text{mA}$		0.1	0.3	V
FG output pin leakage current	IRDL	$VR_D = 7\text{V}$			30	μA
Thermal shutdown operating temperature	TSD	Design target value*	150	180	210	$^\circ\text{C}$

* The design specification items are design guarantees and are not measured.

Package Dimensions

unit : mm (typ)

3427



LB11964FA

Truth Table

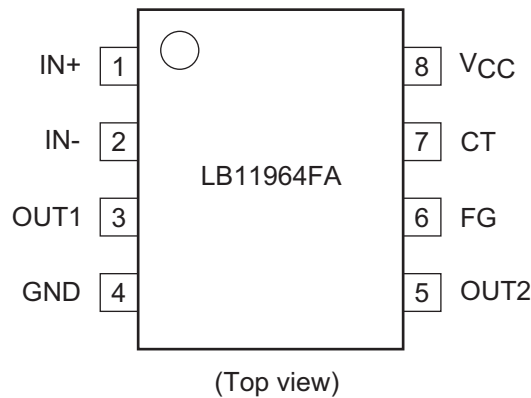
IN+	IN-	CT	OUT1	OUT2	FG	Mode
High	Low	Low	Low	High	Off	When the motor is turning (*1)
Low	High	Low	High	Low	Low	
-	-	High	Off	Off	Off	During lock protection operation (*2)
-	-	-	Off	Off	-	During thermal protection circuit operation

*1: An FG signal at a frequency corresponding to the phase switching operation is output.

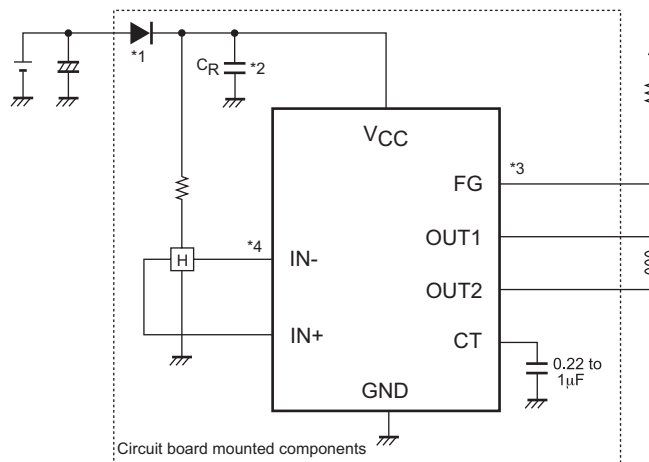
This IC is pin compatible with the LB11963T, which provides a built-in function for dividing the FG output frequency by 2 to handle 8-pole motors.

*2: In restart mode (output on) when a rotor constrained state was detected, the FG output operates in the same way as during normal operation, and differs depending on the rotor position.

Pin Assignment



Application Circuit Example



*1: The diode D_1 prevents destruction of the IC if the power supply is connected with reverse polarity. Since this IC includes a regeneration circuit, this IC recovers the coil current in the low side pnp output transistors and suppresses kickback, even when the diode D_1 is used.

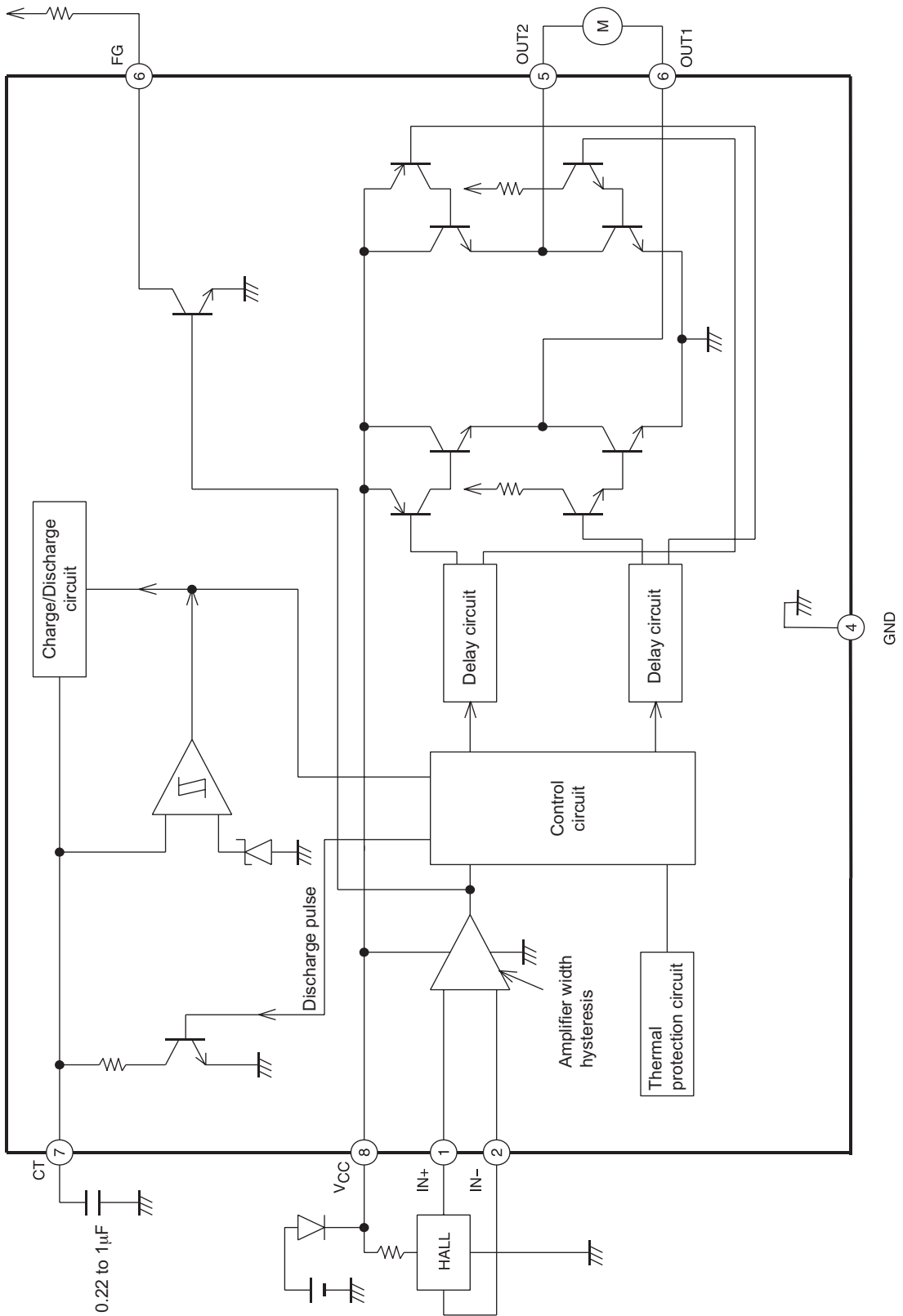
This diode may be omitted if there is no chance of reverse connection problems occurring, for example, if a power supply connector is used.

*2: This capacitor is required for rectification if power supply PWM is used for speed control.

*3: This pin must be left open if unused.

*4: Although chattering prevention measures, such as adopting a non-interfering pin assignment and providing hysteresis in the Hall sensor amplifier, these lines must be made as short as possible to make the circuit more resistant to noise.

Block Diagram



ON Semiconductor and the ON logo are registered trademarks of Semiconductor Components Industries, LLC (SCILLC). SCILLC owns the rights to a number of patents, trademarks, copyrights, trade secrets, and other intellectual property. A listing of SCILLC's product/patent coverage may be accessed at www.onsemi.com/site/pdf/Patent-Marking.pdf. SCILLC reserves the right to make changes without further notice to any products herein. SCILLC makes no warranty, representation or guarantee regarding the suitability of its products for any particular purpose, nor does SCILLC assume any liability arising out of the application or use of any product or circuit, and specifically disclaims any and all liability, including without limitation special, consequential or incidental damages. "Typical" parameters which may be provided in SCILLC data sheets and/or specifications can and do vary in different applications and actual performance may vary over time. All operating parameters, including "Typicals" must be validated for each customer application by customer's technical experts. SCILLC does not convey any license under its patent rights nor the rights of others. SCILLC products are not designed, intended, or authorized for use as components in systems intended for surgical implant into the body, or other applications intended to support or sustain life, or for any other application in which the failure of the SCILLC product could create a situation where personal injury or death may occur. Should Buyer purchase or use SCILLC products for any such unintended or unauthorized application, Buyer shall indemnify and hold SCILLC and its officers, employees, subsidiaries, affiliates, and distributors harmless against all claims, costs, damages, and expenses, and reasonable attorney fees arising out of, directly or indirectly, any claim of personal injury or death associated with such unintended or unauthorized use, even if such claim alleges that SCILLC was negligent regarding the design or manufacture of the part. SCILLC is an Equal Opportunity/Affirmative Action Employer. This literature is subject to all applicable copyright laws and is not for resale in any manner.