

NCP300, NCP301

Voltage Detector Series

The NCP300 and NCP301 series are second generation ultra-low current voltage detectors. These devices are specifically designed for use as reset controllers in portable microprocessor based systems where extended battery life is paramount.

Each series features a highly accurate undervoltage detector with hysteresis which prevents erratic system reset operation as the comparator threshold is crossed.

The NCP300 series consists of complementary output devices that are available with either an active high or active low reset output. The NCP301 series has an open drain N-Channel output with either an active high or active low reset output.

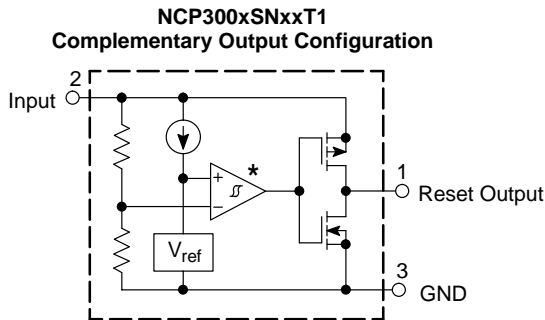
The NCP300 and NCP301 device series are available in the Thin TSOP-5 package with standard undervoltage thresholds. Additional thresholds that range from 0.9 V to 4.9 V in 100 mV steps can be manufactured.

Features

- Quiescent Current of 0.5 μ A Typical
- High Accuracy Undervoltage Threshold of 2.0%
- Wide Operating Voltage Range of 0.8 V to 10 V
- Complementary or Open Drain Reset Output
- Active Low or Active High Reset Output
- Specified Over the -40°C to $+125^{\circ}\text{C}$ Temperature Range (Except for Voltage Options from 0.9 to 1.1 V)
- NCV Prefix for Automotive and Other Applications Requiring Unique Site and Control Change Requirements; AEC-Q100 Qualified and PPAP Capable
- These Devices are Pb-Free and are RoHS Compliant

Typical Applications

- Microprocessor Reset Controller
- Low Battery Detection
- Power Fail Indicator
- Battery Backup Detection



* The representative block diagrams depict active low reset output 'L' suffix devices. The comparator inputs are interchanged for the active high output 'H' suffix devices.

This device contains 25 active transistors.

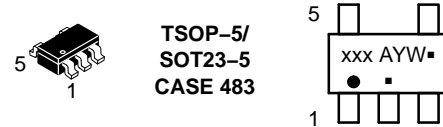
Figure 1. Representative Block Diagrams



ON Semiconductor®

www.onsemi.com

MARKING DIAGRAM



xxx = Specific Device Code
 A = Assembly Location
 Y = Year
 W = Work Week
 ■ = Pb-Free Package

(Note: Microdot may be in either location)

PIN CONNECTIONS



ORDERING INFORMATION

See detailed ordering and shipping information in the ordering information section on page 21 of this data sheet.

NCP300, NCP301

MAXIMUM RATINGS

| Rating | Symbol | Value | Unit |
|---|-----------------|--------------------------------------|----------|
| Input Power Supply Voltage (Pin 2) | V_{in} | 12 | V |
| Output Voltage (Pin 1) Complementary, NCP300 N-Channel Open Drain, NCP301 | V_{OUT} | -0.3 to $V_{in} + 0.3$ -0.3 to 12 | V |
| Output Current (Pin 1) (Note 2) | I_{OUT} | 70 | mA |
| Thermal Resistance Junction-to-Air | $R_{\theta JA}$ | 250 | °C/W |
| Maximum Junction Temperature | T_J | +150 | °C |
| Operating Ambient Temperature Range All Voltage Options: 0.9 V to 1.1 V All Voltage Options: 1.2 V to 4.9 V | T_A T_A | -40 to +85 -40 to +125 | °C °C |
| Storage Temperature Range | T_{stg} | -55 to +150 | °C |
| Moisture Sensitivity Level | MSL | 1 | |
| Latchup Performance (Note 3) Positive Negative | $I_{LATCHUP}$ | 200 200 | mA |

Stresses exceeding those listed in the Maximum Ratings table may damage the device. If any of these limits are exceeded, device functionality should not be assumed, damage may occur and reliability may be affected.

- This device series contains ESD protection and exceeds the following tests:
Human Body Model 2000 V per MIL-STD-883, Method 3015.
Machine Model Method 200 V.
- The maximum package power dissipation limit must not be exceeded.

$$P_D = \frac{T_{J(max)} - T_A}{R_{\theta JA}}$$

- Maximum ratings per JEDEC standard JESD78.

NCP300, NCP301

ELECTRICAL CHARACTERISTICS (For all values $T_A = -40^\circ\text{C}$ to $+125^\circ\text{C}$, unless otherwise noted.)

| Characteristic | Symbol | Min | Typ | Max | Unit |
|---|--|------------------------|---------------------|----------------------|---------------|
| NCP300/1 – 0.9 / NCV300/1 – 0.9 ($T_A = 25^\circ\text{C}$ for voltage options from 0.9 to 1.1 V) | | | | | |
| Detector Threshold (Pin 2, V_{in} Decreasing) | V_{DET-} | 0.882 | 0.900 | 0.918 | V |
| Detector Threshold Hysteresis (Pin 2, V_{in} Increasing) | V_{HYS} | 0.027 | 0.045 | 0.063 | V |
| Supply Current (Pin 2) ($V_{in} = 0.8\text{ V}$) ($V_{in} = 2.9\text{ V}$) | I_{in} | – – | 0.20 0.45 | 0.6 1.2 | μA |
| Maximum Operating Voltage (Pin 2) | $V_{in(max)}$ | – | – | 10 | V |
| Minimum Operating Voltage (Pin 2) ($T_A = -40^\circ\text{C}$ to 85°C) | $V_{in(min)}$ | – – | 0.55 0.65 | 0.70 0.80 | V |
| Reset Output Current (Pin 1, Active Low 'L' Suffix Devices) N-Channel Sink Current, NCP300, NCP301 ($V_{OUT} = 0.05\text{ V}$, $V_{in} = 0.70\text{ V}$) ($V_{OUT} = 0.50\text{ V}$, $V_{in} = 0.85\text{ V}$) P-Channel Source Current, NCP300 ($V_{OUT} = 2.4\text{ V}$, $V_{in} = 4.5\text{ V}$) | I_{OUT} | 0.01 0.05 1.0 | 0.05 0.50 6.0 | – – – | mA |
| Reset Output Current (Pin 1, Active High 'H' Suffix Devices) N-Channel Sink Current, NCP300, NCP301 ($V_{OUT} = 0.5\text{ V}$, $V_{in} = 1.5\text{ V}$) P-Channel Source Current, NCP300 ($V_{OUT} = 0.4\text{ V}$, $V_{in} = 0.7\text{ V}$) ($V_{OUT} = \text{GND}$, $V_{in} = 0.8\text{ V}$) | I_{OUT} | 1.05 0.011 0.014 | 2.5 0.04 0.08 | – – – | mA |
| Propagation Delay Input to Output (Figure 2) Complementary Output NCP300 Series Output Transition, High to Low Output Transition, Low to High N-Channel Open Drain NCP301 Series Output Transition, High to Low Output Transition, Low to High | t_{pHL} t_{pLH} t_{pHL} t_{pLH} | – – – – | 97 77 97 – | – 300 – 300 | μs |
| NCP300/1 – 1.8 / NCV300/1 – 1.8 | | | | | |
| Detector Threshold (Pin 2, V_{in} Decreasing) ($T_A = 25^\circ\text{C}$) ($T_A = -40^\circ\text{C}$ to 125°C) | V_{DET-} | 1.764 1.746 | 1.80 – | 1.836 1.854 | V |
| Detector Threshold Hysteresis (Pin 2, V_{in} Increasing) | V_{HYS} | 0.054 | 0.090 | 0.126 | V |
| Supply Current (Pin 2) ($V_{in} = 1.7\text{ V}$) ($V_{in} = 3.8\text{ V}$) | I_{in} | – – | 0.23 0.48 | 0.7 1.3 | μA |
| Maximum Operating Voltage (Pin 2) | $V_{in(max)}$ | – | – | 10 | V |
| Minimum Operating Voltage (Pin 2) ($T_A = 25^\circ\text{C}$) ($T_A = -40^\circ\text{C}$ to 125°C) | $V_{in(min)}$ | – – | 0.55 0.65 | 0.70 0.80 | V |
| Reset Output Current (Pin 1, Active Low 'L' Suffix Devices) N-Channel Sink Current, NCP300, NCP301 ($V_{OUT} = 0.05\text{ V}$, $V_{in} = 0.70\text{ V}$) ($V_{OUT} = 0.50\text{ V}$, $V_{in} = 1.5\text{ V}$) P-Channel Source Current, NCP300 ($V_{OUT} = 2.4\text{ V}$, $V_{in} = 4.5\text{ V}$) | I_{OUT} | 0.01 1.0 1.0 | 0.05 2.0 6.0 | – – – | mA |
| Reset Output Current (Pin 1, Active High 'H' Suffix Devices) N-Channel Sink Current, NCP300, NCP301 ($V_{OUT} = 0.5\text{ V}$, $V_{in} = 5.0\text{ V}$) P-Channel Source Current, NCP300 ($V_{OUT} = 0.4\text{ V}$, $V_{in} = 0.7\text{ V}$) ($V_{OUT} = \text{GND}$, $V_{in} = 1.5\text{ V}$) | I_{OUT} | 6.3 0.011 0.525 | 11 0.04 0.6 | – – – | mA |
| Propagation Delay Input to Output (Figure 2) Complementary Output NCP300 Series Output Transition, High to Low Output Transition, Low to High | t_{pHL} t_{pLH} | – – | 73 94 | – 300 | μs |

NCP300, NCP301

ELECTRICAL CHARACTERISTICS (continued) (For all values $T_A = -40^{\circ}\text{C}$ to $+125^{\circ}\text{C}$, unless otherwise noted.)

| Characteristic | Symbol | Min | Typ | Max | Unit |
|--|--|-----------------------|----------------------|----------------------|---------------|
| NCP300/1 – 1.8 / NCV300/1 – 1.8 | | | | | |
| N-Channel Open Drain NCP301 Series Output Transition, High to Low | t_{pHL} | – | 73 | – | |
| Output Transition, Low to High | t_{pLH} | – | – | 300 | |
| NCP300/1 – 2.0 / NCV300/1 – 2.0 | | | | | |
| Detector Threshold (Pin 2, V_{in} Decreasing) ($T_A = 25^{\circ}\text{C}$) ($T_A = -40^{\circ}\text{C}$ to 125°C) | V_{DET-} | 1.96 1.94 | 2.00 – | 2.04 2.06 | V |
| Detector Threshold Hysteresis (Pin 2, V_{in} Increasing) | V_{HYS} | 0.06 | 0.10 | 0.14 | V |
| Supply Current (Pin 2) ($V_{in} = 1.9\text{ V}$) ($V_{in} = 4.0\text{ V}$) | I_{in} | – – | 0.23 0.48 | 0.8 1.3 | μA |
| Maximum Operating Voltage (Pin 2) | $V_{in(max)}$ | – | – | 10 | V |
| Minimum Operating Voltage (Pin 2) ($T_A = 25^{\circ}\text{C}$) ($T_A = -40^{\circ}\text{C}$ to 125°C) | $V_{in(min)}$ | – – | 0.55 0.65 | 0.70 0.80 | V |
| Reset Output Current (Pin 1, Active Low 'L' Suffix Devices) N-Channel Sink Current, NCP300, NCP301 ($V_{OUT} = 0.05\text{V}$, $V_{in} = 0.70\text{V}$) ($V_{OUT} = 0.50\text{V}$, $V_{in} = 1.5\text{V}$) P-Channel Source Current, NCP300 ($V_{OUT} = 2.4\text{V}$, $V_{in} = 4.5\text{V}$) | I_{OUT} | 0.01 1.0 1.0 | 0.14 3.5 9.7 | – – – | mA |
| Reset Output Current (Pin 1, Active High 'H' Suffix Devices) N-Channel Sink Current, NCP300, NCP301 ($V_{OUT} = 0.5\text{ V}$, $V_{in} = 5.0\text{ V}$) P-Channel Source Current, NCP300 ($V_{OUT} = 0.4\text{ V}$, $V_{in} = 0.7\text{ V}$) ($V_{OUT} = \text{GND}$, $V_{in} = 1.5\text{ V}$) | I_{OUT} | 6.3 0.011 0.525 | 11 0.04 0.6 | – – – | mA |
| Propagation Delay Input to Output (Figure 2) Complementary Output NCP300 Series Output Transition, High to Low Output Transition, Low to High N-Channel Open Drain NCP301 Series Output Transition, High to Low Output Transition, Low to High | t_{pHL} t_{pLH} t_{pHL} t_{pLH} | – – – – | 55 108 55 – | – 300 – 300 | μs |
| NCP300/1 – 2.2 / NCV300/1 – 2.2 | | | | | |
| Detector Threshold (Pin 2, V_{in} Decreasing) ($T_A = 25^{\circ}\text{C}$) ($T_A = -40^{\circ}\text{C}$ to 125°C) | V_{DET-} | 2.156 2.134 | 2.2 – | 2.244 2.266 | V |
| Detector Threshold Hysteresis (Pin 2, V_{in} Increasing) | V_{HYS} | 0.066 | 0.110 | 0.154 | V |
| Supply Current (Pin 2) ($V_{in} = 2.1\text{ V}$) ($V_{in} = 4.2\text{ V}$) | I_{in} | – – | 0.23 0.48 | 0.8 1.3 | μA |
| Maximum Operating Voltage (Pin 2) | $V_{in(max)}$ | – | – | 10 | V |
| Minimum Operating Voltage (Pin 2) ($T_A = 25^{\circ}\text{C}$) ($T_A = -40^{\circ}\text{C}$ to 125°C) | $V_{in(min)}$ | – – | 0.55 0.65 | 0.70 0.80 | V |
| Reset Output Current (Pin 1, Active Low 'L' Suffix Devices) N-Channel Sink Current, NCP300, NCP301 ($V_{OUT} = 0.05\text{V}$, $V_{in} = 0.70\text{V}$) ($V_{OUT} = 0.50\text{V}$, $V_{in} = 1.5\text{V}$) P-Channel Source Current, NCP300 ($V_{OUT} = 2.4\text{V}$, $V_{in} = 4.5\text{V}$) | I_{OUT} | 0.01 1.0 1.0 | 0.14 3.5 9.7 | – – – | mA |
| Reset Output Current (Pin 1, Active High 'H' Suffix Devices) N-Channel Sink Current, NCP300, NCP301 ($V_{OUT} = 0.5\text{ V}$, $V_{in} = 5.0\text{ V}$) | I_{OUT} | 6.3 | 11 | – | mA |

NCP300, NCP301

ELECTRICAL CHARACTERISTICS (continued) (For all values $T_A = -40^{\circ}\text{C}$ to $+125^{\circ}\text{C}$, unless otherwise noted.)

| Characteristic | Symbol | Min | Typ | Max | Unit |
|--|--|-----------------------|----------------------|----------------------|---------------|
| NCP300/1 – 2.2 / NCV300/1 – 2.2 | | | | | |
| P-Channel Source Current, NCP300 ($V_{OUT} = 0.4\text{ V}$, $V_{in} = 0.7\text{ V}$) ($V_{OUT} = \text{GND}$, $V_{in} = 1.5\text{ V}$) | | 0.011 0.525 | 0.04 0.6 | – – | |
| Propagation Delay Input to Output (Figure 2) Complementary Output NCP300 Series Output Transition, High to Low Output Transition, Low to High N-Channel Open Drain NCP301 Series Output Transition, High to Low Output Transition, Low to High | t_{pHL} t_{pLH} t_{pHL} t_{pLH} | – – – – | 55 108 55 – | – 300 – 300 | μs |
| NCP300/1 – 2.7 / NCV300/1 – 2.7 | | | | | |
| Detector Threshold (Pin 2, V_{in} Decreasing) ($T_A = 25^{\circ}\text{C}$) ($T_A = -40^{\circ}\text{C}$ to 125°C) | V_{DET-} | 2.646 2.619 | 2.700 – | 2.754 2.781 | V |
| Detector Threshold Hysteresis (Pin 2, V_{in} Increasing) | V_{HYS} | 0.081 | 0.135 | 0.189 | V |
| Supply Current (Pin 2) ($V_{in} = 2.6\text{ V}$) ($V_{in} = 4.7\text{ V}$) | I_{in} | – – | 0.25 0.50 | 0.8 1.3 | μA |
| Maximum Operating Voltage (Pin 2) | $V_{in(max)}$ | – | – | 10 | V |
| Minimum Operating Voltage (Pin 2) ($T_A = 25^{\circ}\text{C}$) ($T_A = -40^{\circ}\text{C}$ to 125°C) | $V_{in(min)}$ | – – | 0.55 0.65 | 0.70 0.80 | V |
| Reset Output Current (Pin 1, Active Low 'L' Suffix Devices) N-Channel Sink Current, NCP300, NCP301 ($V_{OUT} = 0.05\text{V}$, $V_{in} = 0.70\text{V}$) ($V_{OUT} = 0.50\text{V}$, $V_{in} = 1.5\text{V}$) P-Channel Source Current, NCP300 ($V_{OUT} = 2.4\text{V}$, $V_{in} = 4.5\text{V}$) | I_{OUT} | 0.01 1.0 1.0 | 0.14 3.5 9.7 | – – – | mA |
| Reset Output Current (Pin 1, Active High 'H' Suffix Devices) N-Channel Sink Current, NCP300, NCP301 ($V_{OUT} = 0.5\text{ V}$, $V_{in} = 5.0\text{ V}$) P-Channel Source Current, NCP300 ($V_{OUT} = 0.4\text{ V}$, $V_{in} = 0.7\text{ V}$) ($V_{OUT} = \text{GND}$, $V_{in} = 1.5\text{ V}$) | I_{OUT} | 6.3 0.011 0.525 | 11 0.04 0.6 | – – – | mA |
| Propagation Delay Input to Output (Figure 2) Complementary Output NCP300 Series Output Transition, High to Low Output Transition, Low to High N-Channel Open Drain NCP301 Series Output Transition, High to Low Output Transition, Low to High | t_{pHL} t_{pLH} t_{pHL} t_{pLH} | – – – – | 55 115 55 – | – 300 – 300 | μs |
| NCP300/1 – 2.8 / NCV300/1 – 2.8 | | | | | |
| Detector Threshold (Pin 2, V_{in} Decreasing) ($T_A = 25^{\circ}\text{C}$) ($T_A = -40^{\circ}\text{C}$ to 125°C) | V_{DET-} | 2.744 2.716 | 2.8 – | 2.856 2.884 | V |
| Detector Threshold Hysteresis (Pin 2, V_{in} Increasing) | V_{HYS} | 0.084 | 0.14 | 0.196 | V |
| Supply Current (Pin 2) ($V_{in} = 2.7\text{ V}$) ($V_{in} = 4.8\text{ V}$) | I_{in} | – – | 0.25 0.5 | 0.8 1.3 | μA |
| Maximum Operating Voltage (Pin 2) | $V_{in(max)}$ | – | – | 10 | V |
| Minimum Operating Voltage (Pin 2) ($T_A = 25^{\circ}\text{C}$) ($T_A = -40^{\circ}\text{C}$ to 125°C) | $V_{in(min)}$ | – – | 0.55 0.65 | 0.7 0.8 | V |
| Reset Output Current (Pin 1, Active Low 'L' Suffix Devices) N-Channel Sink Current, NCP300, NCP301 ($V_{OUT} = 0.05\text{V}$, $V_{in} = 0.70\text{V}$) ($V_{OUT} = 0.50\text{V}$, $V_{in} = 1.5\text{V}$) | I_{OUT} | 0.01 1.0 | 0.14 3.5 | – – | mA |

NCP300, NCP301

ELECTRICAL CHARACTERISTICS (continued) (For all values $T_A = -40^\circ\text{C}$ to $+125^\circ\text{C}$, unless otherwise noted.)

| Characteristic | Symbol | Min | Typ | Max | Unit |
|---|---------------|----------------|--------------|----------------|---------------|
| NCP300/1 – 2.8 / NCV300/1 – 2.8 | | | | | |
| P-Channel Source Current, NCP300 ($V_{OUT} = 2.4\text{V}$, $V_{in} = 4.5\text{V}$) | | 1.0 | 9.7 | – | |
| Reset Output Current (Pin 1, Active High 'H' Suffix Devices) | I_{OUT} | | | | mA |
| N-Channel Sink Current, NCP300, NCP301 ($V_{OUT} = 0.5\text{V}$, $V_{in} = 5.0\text{V}$) | | 6.3 | 11 | – | |
| P-Channel Source Current, NCP300 ($V_{OUT} = 0.4\text{V}$, $V_{in} = 0.7\text{V}$) ($V_{OUT} = \text{GND}$, $V_{in} = 1.5\text{V}$) | | 0.011 0.525 | 0.04 0.6 | – – | |
| Propagation Delay Input to Output (Figure 2) | | | | | μs |
| Complementary Output NCP300 Series | | | | | |
| Output Transition, High to Low | t_{pHL} | – | 55 | – | |
| Output Transition, Low to High | t_{pLH} | – | 115 | 300 | |
| N-Channel Open Drain NCP301 Series | | | | | |
| Output Transition, High to Low | t_{pHL} | – | 55 | – | |
| Output Transition, Low to High | t_{pLH} | – | – | 300 | |
| NCP300/1 – 3.0 / NCV300/1 – 3.0 | | | | | |
| Detector Threshold (Pin 2, V_{in} Decreasing) ($T_A = 25^\circ\text{C}$) ($T_A = -40^\circ\text{C}$ to 125°C) | V_{DET-} | 2.94 2.91 | 3.00 – | 3.06 3.09 | V |
| Detector Threshold Hysteresis (Pin 2, V_{in} Increasing) | V_{HYS} | 0.09 | 0.15 | 0.21 | V |
| Supply Current (Pin 2) ($V_{in} = 2.87\text{V}$) ($V_{in} = 5.0\text{V}$) | I_{in} | – – | 0.25 0.50 | 0.9 1.3 | μA |
| Maximum Operating Voltage (Pin 2) | $V_{in(max)}$ | – | – | 10 | V |
| Minimum Operating Voltage (Pin 2) ($T_A = 25^\circ\text{C}$) ($T_A = -40^\circ\text{C}$ to 125°C) | $V_{in(min)}$ | – – | 0.55 0.65 | 0.70 0.80 | V |
| Reset Output Current (Pin 1, Active Low 'L' Suffix Devices) | I_{OUT} | | | | mA |
| N-Channel Sink Current, NCP300, NCP301 ($V_{OUT} = 0.05\text{V}$, $V_{in} = 0.70\text{V}$) ($V_{OUT} = 0.50\text{V}$, $V_{in} = 1.5\text{V}$) | | 0.01 1.0 | 0.14 3.5 | – – | |
| P-Channel Source Current, NCP300 ($V_{OUT} = 2.4\text{V}$, $V_{in} = 4.5\text{V}$) | | 1.0 | 9.7 | – | |
| Reset Output Current (Pin 1, Active High 'H' Suffix Devices) | I_{OUT} | | | | mA |
| N-Channel Sink Current, NCP300, NCP301 ($V_{OUT} = 0.5\text{V}$, $V_{in} = 5.0\text{V}$) | | 6.3 | 11 | – | |
| P-Channel Source Current, NCP300 ($V_{OUT} = 0.4\text{V}$, $V_{in} = 0.7\text{V}$) ($V_{OUT} = \text{GND}$, $V_{in} = 1.5\text{V}$) | | 0.011 0.525 | 0.04 0.6 | – – | |
| Propagation Delay Input to Output (Figure 2) | | | | | μs |
| Complementary Output NCP300 Series | | | | | |
| Output Transition, High to Low | t_{pHL} | – | 49 | – | |
| Output Transition, Low to High | t_{pLH} | – | 115 | 300 | |
| N-Channel Open Drain NCP301 Series | | | | | |
| Output Transition, High to Low | t_{pHL} | – | 49 | – | |
| Output Transition, Low to High | t_{pLH} | – | – | 300 | |
| NCP300/1 – 4.5 / NCV300/1 – 4.5 | | | | | |
| Detector Threshold (Pin 2, V_{in} Decreasing) ($T_A = 25^\circ\text{C}$) ($T_A = -40^\circ\text{C}$ to 125°C) | V_{DET-} | 4.410 4.365 | 4.500 – | 4.590 4.635 | V |
| Detector Threshold Hysteresis (Pin 2, V_{in} Increasing) | V_{HYS} | 0.135 | 0.225 | 0.315 | V |
| Supply Current (Pin 2) ($V_{in} = 4.34\text{V}$) ($V_{in} = 6.5\text{V}$) | I_{in} | – – | 0.33 0.52 | 1.0 1.4 | μA |
| Maximum Operating Voltage (Pin 2) | $V_{in(max)}$ | – | – | 10 | V |

NCP300, NCP301

ELECTRICAL CHARACTERISTICS (continued) (For all values $T_A = -40^{\circ}\text{C}$ to $+125^{\circ}\text{C}$, unless otherwise noted.)

| Characteristic | Symbol | Min | Typ | Max | Unit |
|--|--|-----------------------|----------------------|----------------------|---------------|
| NCP300/1 – 4.5 / NCV300/1 – 4.5 | | | | | |
| Minimum Operating Voltage (Pin 2) ($T_A = 25^{\circ}\text{C}$) ($T_A = -40^{\circ}\text{C}$ to 125°C) | $V_{in(min)}$ | – – | 0.55 0.65 | 0.70 0.80 | V |
| Reset Output Current (Pin 1, Active Low 'L' Suffix Devices) N-Channel Sink Current, NCP300, NCP301 ($V_{OUT} = 0.05\text{V}$, $V_{in} = 0.70\text{V}$) ($V_{OUT} = 0.50\text{V}$, $V_{in} = 1.5\text{V}$) P-Channel Source Current, NCP300 ($V_{OUT} = 5.9\text{V}$, $V_{in} = 8.0\text{V}$) | I_{OUT} | 0.01 1.0 1.5 | 0.05 2.0 10.5 | – – – | mA |
| Reset Output Current (Pin 1, Active High 'H' Suffix Devices) N-Channel Sink Current, NCP300, NCP301 ($V_{OUT} = 0.5\text{ V}$, $V_{in} = 5.0\text{ V}$) P-Channel Source Current, NCP300 ($V_{OUT} = 0.4\text{ V}$, $V_{in} = 0.7\text{ V}$) ($V_{OUT} = \text{GND}$, $V_{in} = 1.5\text{ V}$) | I_{OUT} | 6.3 0.011 0.525 | 11 0.04 0.6 | – – – | mA |
| Propagation Delay Input to Output (Figure 2) Complementary Output NCP300 Series Output Transition, High to Low Output Transition, Low to High N-Channel Open Drain NCP301 Series Output Transition, High to Low Output Transition, Low to High | t_{pHL} t_{pLH} t_{pHL} t_{pLH} | – – – – | 49 130 49 – | – 300 – 300 | μs |
| NCP300/1 – 4.7 / NCV300/1 – 4.7 | | | | | |
| Detector Threshold (Pin 2, V_{in} Decreasing) ($T_A = 25^{\circ}\text{C}$) ($T_A = -40^{\circ}\text{C}$ to 125°C) | V_{DET-} | 4.606 4.559 | 4.700 – | 4.794 4.841 | V |
| Detector Threshold Hysteresis (Pin 2, V_{in} Increasing) | V_{HYS} | 0.141 | 0.235 | 0.329 | V |
| Supply Current (Pin 2) ($V_{in} = 4.54\text{ V}$) ($V_{in} = 6.7\text{ V}$) | I_{in} | – – | 0.34 0.53 | 1.0 1.4 | μA |
| Maximum Operating Voltage (Pin 2) | $V_{in(max)}$ | – | – | 10 | V |
| Minimum Operating Voltage (Pin 2) ($T_A = 25^{\circ}\text{C}$) ($T_A = -40^{\circ}\text{C}$ to 125°C) | $V_{in(min)}$ | – – | 0.55 0.65 | 0.70 0.80 | V |
| Reset Output Current (Pin 1, Active Low 'L' Suffix Devices) N-Channel Sink Current, NCP300, NCP301 ($V_{OUT} = 0.05\text{V}$, $V_{in} = 0.70\text{V}$) ($V_{OUT} = 0.50\text{V}$, $V_{in} = 1.5\text{V}$) P-Channel Source Current, NCP300 ($V_{OUT} = 5.9\text{V}$, $V_{in} = 8.0\text{V}$) | I_{OUT} | 0.01 1.0 1.5 | 0.05 2.0 10.5 | – – – | mA |
| Reset Output Current (Pin 1, Active High 'H' Suffix Devices) N-Channel Sink Current, NCP300, NCP301 ($V_{OUT} = 0.5\text{ V}$, $V_{in} = 5.0\text{ V}$) P-Channel Source Current, NCP300 ($V_{OUT} = 0.4\text{ V}$, $V_{in} = 0.7\text{ V}$) ($V_{OUT} = \text{GND}$, $V_{in} = 1.5\text{ V}$) | I_{OUT} | 6.3 0.011 0.525 | 11 0.04 0.6 | – – – | mA |
| Propagation Delay Input to Output (Figure 2) Complementary Output NCP300 Series Output Transition, High to Low Output Transition, Low to High N-Channel Open Drain NCP301 Series Output Transition, High to Low Output Transition, Low to High | t_{pHL} t_{pLH} t_{pHL} t_{pLH} | – – – – | 45 130 45 – | – 300 – 300 | μs |

Product parametric performance is indicated in the Electrical Characteristics for the listed test conditions, unless otherwise noted. Product performance may not be indicated by the Electrical Characteristics if operated under different conditions.

NCP300, NCP301



NCP300 and NCP301 series are measured with a 10 pF capacitive load. NCP301 has an additional 470 k pull-up resistor connected from the reset output to +5.0 V. The reset output voltage waveforms are shown for the active low 'L' devices. The upper detector threshold, V_{DET+} is the sum of the lower detector threshold, V_{DET-} plus the input hysteresis, V_{HYS} .

Figure 2. Propagation Delay Measurement Conditions

NCP300, NCP301

Table 1. ELECTRICAL CHARACTERISTIC TABLE FOR 0.9 – 4.9 V

| NCP300 Series | Detector Threshold | | | Detector Threshold Hysteresis | | | Supply Current | | Nch Sink Current | | Pch Source Current | | |
|----------------|--------------------------------|------|-------|-------------------------------|-------|-------|-------------------------------|-------------------------------|--------------------------------|--------------------------------|--------------------------------|------|------|
| | | | | | | | V _{in} Low | V _{in} High | V _{in} Low | V _{in} High | | | |
| Part Number | V _{DET-} (V) (Note 4) | | | V _{HYS} (V) | | | I _{in} (μA) (Note 5) | I _{in} (μA) (Note 6) | I _{OUT} (mA) (Note 7) | I _{OUT} (mA) (Note 8) | I _{OUT} (mA) (Note 9) | | |
| | Min | Typ | Max | Min | Typ | Max | Typ | Typ | Typ | Typ | Typ | | |
| NCP300LSN09T1 | 0.882 | 0.9 | 0.918 | 0.027 | 0.045 | 0.063 | 0.20 | 0.45 | 0.05 | 0.5 | 2.0 | | |
| NCP300LSN18T1 | 1.764 | 1.8 | 1.836 | 0.054 | 0.090 | 0.126 | 0.23 | 0.48 | | | | | |
| NCP300LSN185T1 | 1.813 | 1.85 | 1.887 | 0.056 | 0.093 | 0.130 | | | | | | | |
| NCP300LSN20T1 | 1.960 | 2.0 | 2.040 | 0.060 | 0.100 | 0.140 | | | | | | | |
| NCP300LSN25T1 | 2.45 | 2.5 | 2.55 | 0.075 | 0.125 | 0.175 | 0.25 | 0.50 | | | | | |
| NCP300LSN27T1 | 2.646 | 2.7 | 2.754 | 0.081 | 0.135 | 0.189 | 0.25 | 0.50 | | | | | |
| NCP300LSN28T1 | 2.744 | 2.8 | 2.856 | 0.084 | 0.140 | 0.196 | | | | | | | |
| NCP300LSN30T1 | 2.940 | 3.0 | 3.060 | 0.090 | 0.150 | 0.210 | | | | | | | |
| NCP300LSN33T1 | 3.234 | 3.3 | 3.366 | 0.099 | 0.165 | 0.231 | | | | | | | |
| NCP300LSN34T1 | 3.332 | 3.4 | 3.468 | 0.102 | 0.170 | 0.238 | | | | | | | |
| NCP300LSN44T1 | 4.312 | 4.4 | 4.488 | 0.132 | 0.220 | 0.308 | | | | | | | |
| NCP300LSN45T1 | 4.410 | 4.5 | 4.590 | 0.135 | 0.225 | 0.315 | | | | | | 0.33 | 0.52 |
| NCP300LSN46T1 | 4.508 | 4.6 | 4.692 | 0.138 | 0.230 | 0.322 | | | | | | | |
| NCP300LSN47T1 | 4.606 | 4.7 | 4.794 | 0.141 | 0.235 | 0.329 | | | | | | | |

4. Values shown apply at +25°C only. For voltage options greater than 1.1 V, V_{DET-} limits over operating temperature range (-40°C to +125°C) are V_{NOM} ±3%. For voltage options < 1.2 V, V_{DET-} is guaranteed only at +25°C.
5. Condition 1: 0.9 – 2.9 V, V_{in} = V_{DET-} - 0.10 V; 3.0 – 3.9 V, V_{in} = V_{DET-} - 0.13 V; 4.0 – 4.9 V, V_{in} = V_{DET-} - 0.16 V
6. Condition 2: 0.9 – 4.9 V, V_{in} = V_{DET-} + 2.0 V
7. Condition 3: 0.9 – 4.9 V, V_{in} = 0.7 V, V_{OUT} = 0.05 V, Active Low 'L' Suffix Devices
8. Condition 4: 0.9 – 1.0 V, V_{in} = 0.85 V, V_{OUT} = 0.5 V; 1.1 – 1.5 V, V_{in} = 1.0 V, V_{OUT} = 0.5 V; 1.6 – 4.9 V, V_{in} = 1.5 V, V_{OUT} = 0.5 V, Active Low 'L' Suffix Devices
9. Condition 5: 0.9 – 3.9 V, V_{in} = 4.5 V, V_{OUT} = 2.4 V; 4.0 – 4.9 V, V_{in} = 8.0 V, V_{OUT} = 5.9 V, Active Low 'L' Suffix Devices

Table 2. ELECTRICAL CHARACTERISTIC TABLE FOR 0.9 – 4.9 V

| NCP300 Series | Detector Threshold | | | Detector Threshold Hysteresis | | | Supply Current | | Nch Sink Current | Pch Source Current | |
|---------------|---------------------------------|-----|-------|-------------------------------|-------|-------|--------------------------------|--------------------------------|---------------------------------|---------------------------------|---------------------------------|
| | | | | | | | V _{in} Low | V _{in} High | | V _{in} Low | V _{in} High |
| Part Number | V _{DET-} (V) (Note 10) | | | V _{HYS} (V) | | | I _{in} (μA) (Note 11) | I _{in} (μA) (Note 12) | I _{OUT} (mA) (Note 13) | I _{OUT} (mA) (Note 14) | I _{OUT} (mA) (Note 15) |
| | Min | Typ | Max | Min | Typ | Max | Typ | Typ | Typ | Typ | Typ |
| NCP300HSN09T1 | 0.882 | 0.9 | 0.918 | 0.027 | 0.045 | 0.063 | 0.20 | 0.45 | 2.5 | 0.04 | 0.08 |
| NCP300HSN18T1 | 1.764 | 1.8 | 1.836 | 0.054 | 0.090 | 0.126 | 0.23 | 0.48 | | | |
| NCP300HSN27T1 | 2.646 | 2.7 | 2.754 | 0.081 | 0.135 | 0.189 | 0.25 | 0.50 | | | |
| NCP300HSN30T1 | 2.940 | 3.0 | 3.060 | 0.090 | 0.150 | 0.210 | | | | | |
| NCP300HSN45T1 | 4.410 | 4.5 | 4.590 | 0.135 | 0.225 | 0.315 | 0.33 | 0.52 | | | |
| NCP300HSN47T1 | 4.606 | 4.7 | 4.794 | 0.141 | 0.235 | 0.329 | 0.34 | 0.53 | | | |

10. Values shown apply at +25°C only. For voltage options greater than 1.1 V, V_{DET-} limits over operating temperature range (-40°C to +125°C) are V_{NOM} ±3%. For voltage options < 1.2 V, V_{DET-} is guaranteed only at +25°C.
11. Condition 1: 0.9 – 2.9 V, V_{in} = V_{DET-} - 0.10 V; 3.0 – 3.9 V, V_{in} = V_{DET-} - 0.13 V; 4.0 – 4.9 V, V_{in} = V_{DET-} - 0.16 V
12. Condition 2: 0.9 – 4.9 V, V_{in} = V_{DET-} + 2.0 V
13. Condition 3: 0.9 – 1.4 V, V_{in} = 1.5 V, V_{OUT} = 0.5 V; 1.5 – 4.9 V, V_{in} = 5.0 V, V_{OUT} = 0.5 V, Active High 'H' Suffix Devices
14. Condition 4: 0.9 – 4.9 V, V_{in} = 0.7 V, V_{OUT} = 0.4 V, Active High 'H' Suffix Devices
15. Condition 5: 0.9 – 1.0 V, V_{in} = 0.8 V, V_{OUT} = GND; 1.1 – 1.5 V, V_{in} = 1.0 V, V_{OUT} = GND; 1.6 – 4.9 V, V_{in} = 1.5 V, V_{OUT} = GND, Active High 'H' Suffix Devices

NCP300, NCP301

Table 3. ELECTRICAL CHARACTERISTIC TABLE FOR 0.9 – 4.9 V

| NCP301 Series | Detector Threshold | | | Detector Threshold Hysteresis | | | Supply Current | | Nch Sink Current | | | | | |
|---------------|--------------------|---------------------------------|-------|-------------------------------|----------------------|-------|---------------------|--------------------------------|--------------------------------|---------------------------------|---------------------------------|------|--|--|
| | | | | | | | V _{in} Low | V _{in} High | V _{in} Low | V _{in} High | | | | |
| | Part Number | V _{DET-} (V) (Note 16) | | | V _{HYS} (V) | | | I _{in} (μA) (Note 16) | I _{in} (μA) (Note 18) | I _{OUT} (mA) (Note 19) | I _{OUT} (mA) (Note 20) | | | |
| Min | | Typ | Max | Min | Typ | Max | Typ | Typ | Typ | Typ | | | | |
| NCP301LSN09T1 | 0.882 | 0.9 | 0.918 | 0.027 | 0.045 | 0.063 | 0.20 | 0.45 | 0.05 | 0.5 | | | | |
| NCP301LSN12T1 | 1.176 | 1.2 | 1.224 | 0.036 | 0.060 | 0.084 | | | | | | | | |
| NCP301LSN16T1 | 1.568 | 1.6 | 1.632 | 0.048 | 0.080 | 0.112 | | | | | | | | |
| NCP301LSN18T1 | 1.764 | 1.8 | 1.836 | 0.054 | 0.090 | 0.126 | | | | | | | | |
| NCP301LSN20T1 | 1.960 | 2.0 | 2.040 | 0.060 | 0.100 | 0.140 | | | | | | | | |
| NCP301LSN22T1 | 2.156 | 2.2 | 2.244 | 0.066 | 0.110 | 0.154 | | | | | | | | |
| NCP301LSN24T1 | 2.352 | 2.4 | 2.448 | 0.072 | 0.120 | 0.168 | | | | | | | | |
| NCP301LSN25T1 | 2.450 | 2.5 | 2.550 | 0.075 | 0.125 | 0.175 | 0.23 | 0.48 | | 2.0 | | | | |
| NCP301LSN26T1 | 2.548 | 2.6 | 2.652 | 0.078 | 0.130 | 0.182 | | | | | | | | |
| NCP301LSN27T1 | 2.646 | 2.7 | 2.754 | 0.081 | 0.135 | 0.189 | | | | | | | | |
| NCP301LSN28T1 | 2.744 | 2.8 | 2.856 | 0.084 | 0.140 | 0.196 | | | | | | | | |
| NCP301LSN30T1 | 2.940 | 3.0 | 3.060 | 0.090 | 0.150 | 0.210 | | | | | | | | |
| NCP301LSN31T1 | 3.038 | 3.1 | 3.162 | 0.093 | 0.155 | 0.217 | | | | | | | | |
| NCP301LSN32T1 | 3.136 | 3.2 | 3.264 | 0.096 | 0.160 | 0.224 | | | | | | | | |
| NCP301LSN33T1 | 3.234 | 3.3 | 3.366 | 0.099 | 0.165 | 0.231 | | | | | | | | |
| NCP301LSN34T1 | 3.332 | 3.4 | 3.468 | 0.102 | 0.170 | 0.238 | | | | | | | | |
| NCP301LSN36T1 | 3.528 | 3.6 | 3.672 | 0.108 | 0.180 | 0.252 | | | | | | | | |
| NCP301LSN40T1 | 3.920 | 4.0 | 4.080 | 0.120 | 0.200 | 0.280 | 0.25 | 0.50 | | | | | | |
| NCP301LSN42T1 | 4.116 | 4.2 | 4.284 | 0.126 | 0.210 | 0.294 | | | | | | | | |
| NCP301LSN45T1 | 4.410 | 4.5 | 4.590 | 0.135 | 0.225 | 0.315 | | | | | | | | |
| NCP301LSN46T1 | 4.508 | 4.6 | 4.692 | 0.138 | 0.230 | 0.322 | | | | | | | | |
| NCP301LSN47T1 | 4.606 | 4.7 | 4.794 | 0.141 | 0.235 | 0.329 | | | | | | | | |
| | | | | | | | | | | | 0.33 | 0.52 | | |
| | | | | | | | | | | | | | | |
| | | | | | | | | | | | 0.34 | 0.53 | | |

16. Values shown apply at +25°C only. For voltage options greater than 1.1 V, V_{DET-} limits over operating temperature range (-40°C to +125°C) are V_{NOM} ±3%. For voltage options < 1.2 V, V_{DET-} is guaranteed only at +25°C.

17. Condition 1: 0.9 – 2.9 V, V_{in} = V_{DET-} – 0.10 V; 3.0 – 3.9 V, V_{in} = V_{DET-} – 0.13 V; 4.0 – 4.9 V, V_{in} = V_{DET-} – 0.16 V

18. Condition 2: 0.9 – 4.9 V, V_{in} = V_{DET-} + 2.0 V

19. Condition 3: 0.9 – 4.9 V, V_{in} = 0.7 V, V_{OUT} = 0.05 V, Active Low 'L' Suffix Devices

20. Condition 4: 0.9 – 1.0 V, V_{in} = 0.85 V, V_{OUT} = 0.5 V; 1.1 – 1.5 V, V_{in} = 1.0 V, V_{OUT} = 0.5 V; 1.6 – 4.9 V, V_{in} = 1.5 V, V_{OUT} = 0.5 V, Active Low 'L' Suffix Devices

Table 4. ELECTRICAL CHARACTERISTIC TABLE FOR 0.9 – 4.9 V

| NCP301 Series | Detector Threshold | | | Detector Threshold Hysteresis | | | Supply Current | | Nch Sink Current |
|---------------|--------------------|---------------------------------|-------|-------------------------------|----------------------|-------|---------------------|--------------------------------|--------------------------------|
| | | | | | | | V _{in} Low | V _{in} High | |
| | Part Number | V _{DET-} (V) (Note 21) | | | V _{HYS} (V) | | | I _{in} (μA) (Note 22) | I _{in} (μA) (Note 23) |
| Min | | Typ | Max | Min | Typ | Max | Typ | Typ | Typ |
| NCP301HSN09T1 | 0.882 | 0.9 | 0.918 | 0.027 | 0.045 | 0.063 | 0.20 | 0.45 | 2.5 |
| NCP301HSN18T1 | 1.764 | 1.8 | 1.836 | 0.054 | 0.090 | 0.126 | | | |
| NCP301HSN22T1 | 2.156 | 2.2 | 2.244 | 0.066 | 0.110 | 0.154 | | | |
| NCP301HSN27T1 | 2.646 | 2.7 | 2.754 | 0.081 | 0.135 | 0.189 | 0.25 | 0.50 | |
| NCP301HSN30T1 | 2.940 | 3.0 | 3.060 | 0.090 | 0.150 | 0.210 | | | |
| NCP301HSN45T1 | 4.410 | 4.5 | 4.590 | 0.135 | 0.225 | 0.315 | | | |
| | | | | | | | 0.33 | 0.52 | |

21. Values shown apply at +25°C only. For voltage options greater than 1.1 V, V_{DET-} limits over operating temperature range (-40°C to +125°C) are V_{NOM} ±3%. For voltage options < 1.2 V, V_{DET-} is guaranteed only at +25°C.

22. Condition 1: 0.9 – 2.9 V, V_{in} = V_{DET-} – 0.10 V; 3.0 – 3.9 V, V_{in} = V_{DET-} – 0.13 V; 4.0 – 4.9 V, V_{in} = V_{DET-} – 0.16 V

23. Condition 2: 0.9 – 4.9 V, V_{in} = V_{DET-} + 2.0 V

24. Condition 3: 0.9 – 1.4 V, V_{in} = 1.5 V, V_{OUT} = 0.5 V; 1.5 – 4.9 V, V_{in} = 5.0 V, V_{OUT} = 0.5 V, Active High 'H' Suffix Devices

NCP300, NCP301

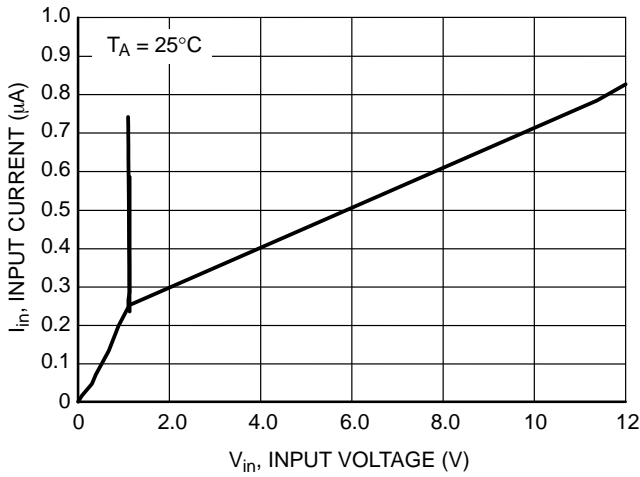


Figure 3. NCP300/1 Series 0.9 V Input Current versus Input Voltage

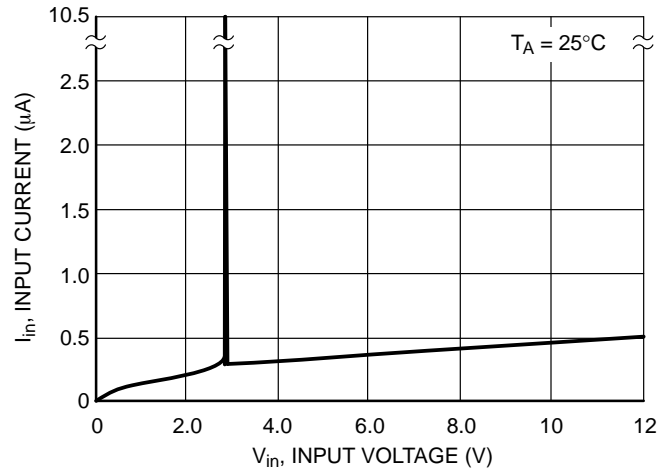


Figure 4. NCP300/1 Series 2.7 V Input Current versus Input Voltage

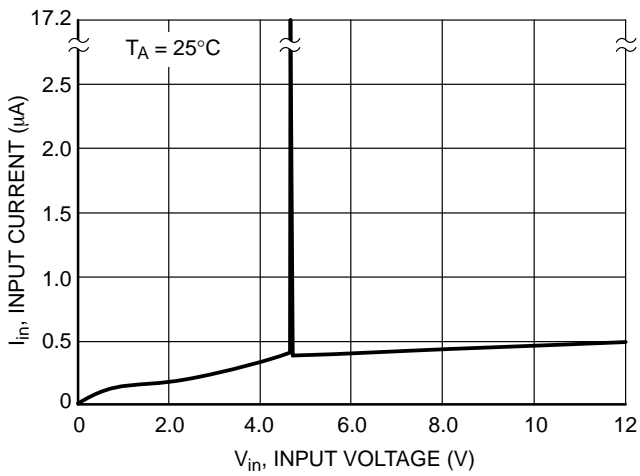


Figure 5. NCP300/1 Series 4.5 V Input Current versus Input Voltage

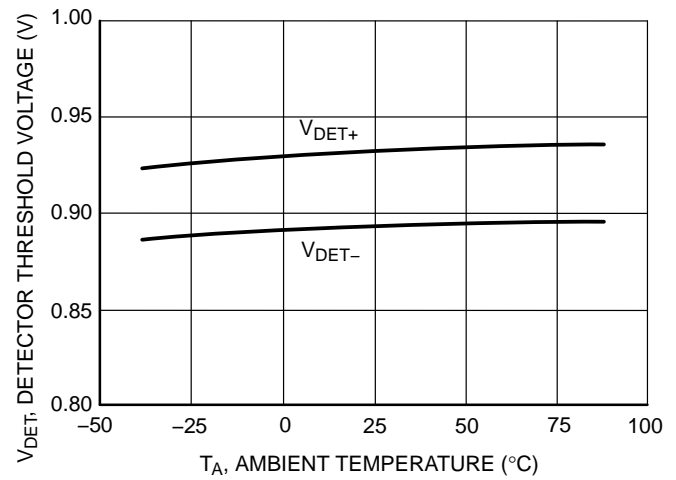


Figure 6. NCP300/1 Series 0.9 V Detector Threshold Voltage versus Temperature



Figure 7. NCP300/1 Series 2.7 V Detector Threshold Voltage versus Temperature



Figure 8. NCP300/1 Series 4.5 V Detector Threshold Voltage versus Temperature

NCP300, NCP301

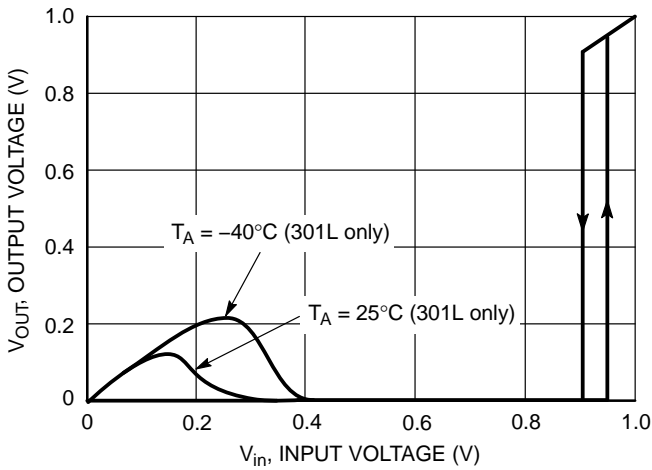


Figure 9. NCP300L/1L Series 0.9 V Reset Output Voltage versus Input Voltage

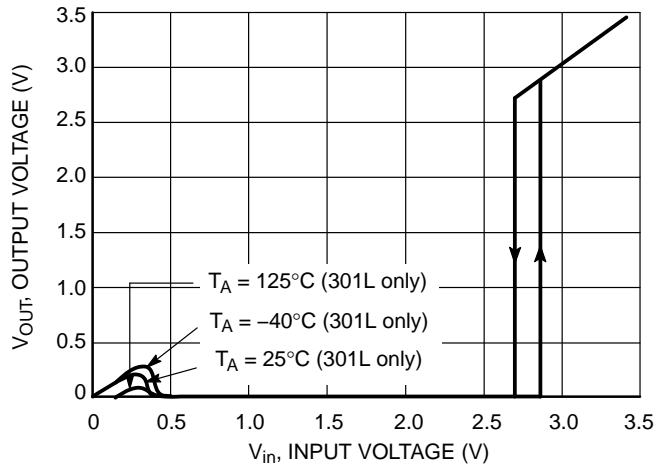


Figure 10. NCP300L/1L Series 2.7 V Reset Output Voltage versus Input Voltage



Figure 11. NCP300L/1L Series 4.5 V Reset Output Voltage versus Input Voltage

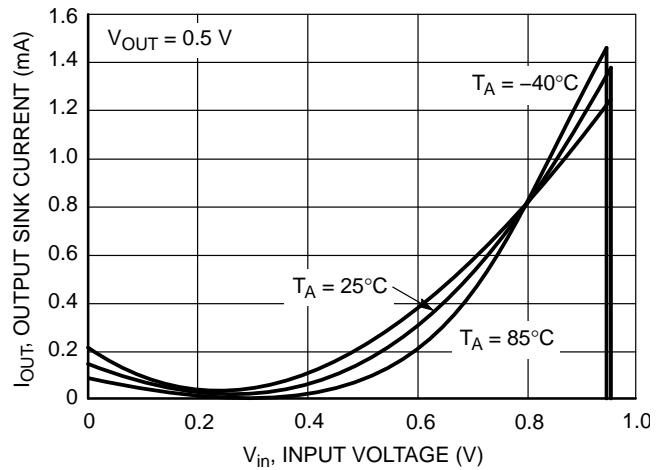


Figure 12. NCP300H/1L Series 0.9 V Reset Output Sink Current versus Input Voltage



Figure 13. NCP300H/1L Series 2.7 V Reset Output Sink Current versus Input Voltage

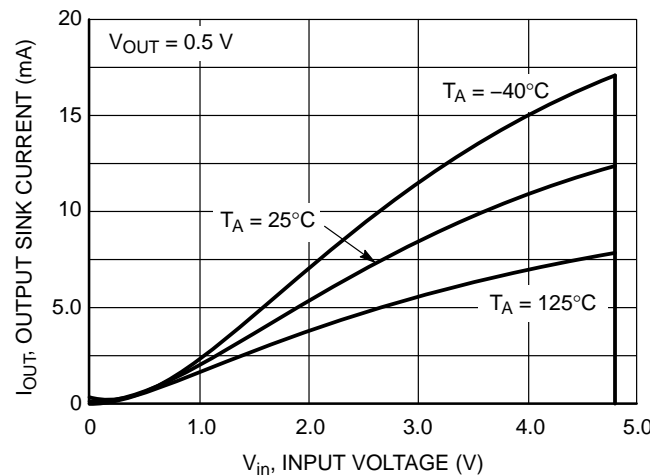


Figure 14. NCP300H/1L Series 4.5 V Reset Output Sink Current versus Input Voltage

NCP300, NCP301



Figure 15. NCP300L Series 0.9 V
Reset Output Source Current versus Input Voltage



Figure 16. NCP300L Series 2.7 V
Reset Output Source Current versus Input Voltage



Figure 17. NCP300L Series 4.5 V
Reset Output Source Current versus Input Voltage



Figure 18. NCP300H/1L Series 0.9 V
Reset Output Sink Current versus Output Voltage



Figure 19. NCP300H/1L Series 2.7 V
Reset Output Sink Current versus Output Voltage



Figure 20. NCP300H/1L Series 4.5 V
Reset Output Sink Current versus Output Voltage

NCP300, NCP301

OPERATING DESCRIPTION

The NCP300 and NCP301 series devices are second generation ultra-low current voltage detectors. Figures 20 and 21 show a timing diagram and a typical application. Initially consider that input voltage V_{in} is at a nominal level and it is greater than the voltage detector upper threshold (V_{DET+}), and the reset output (Pin 1) will be in the high state for active low devices, or in the low state for active high devices. If there is a power interruption and V_{in} becomes significantly deficient, it will fall below the lower detector threshold (V_{DET-}). This sequence of events causes the Reset output to be in the low state for active low devices, or in the

high state for active high devices. After completion of the power interruption, V_{in} will again return to its nominal level and become greater than the V_{DET+} . The voltage detector has built-in hysteresis to prevent erratic reset operation as the comparator threshold is crossed.

Although these device series are specifically designed for use as reset controllers in portable microprocessor based systems, they offer a cost-effective solution in numerous applications where precise voltage monitoring is required. Figure 26 through Figure 33 shows various application examples.



Figure 21. Timing Waveforms

V_{CC} TRANSIENT REJECTION

The NCP300 and NCP301 series provides accurate V_{CC} monitoring and reset timing during power-up, power-down, and brownout/sag conditions, and rejects negative glitches on the power supply line. Figure 22 shows the maximum transient duration vs. maximum negative excursion (overdrive) for glitch rejection. Any combination of duration and overdrive which lies under the curve will not generate a reset signal. A below-V_{CC} condition (on the right) is detected as a brownout or power-down. Typically, any transient that goes 100 mV below the reset threshold and lasts 5.0 μs or less will not cause a reset pulse.

Transient immunity can be improved by adding a capacitor in close proximity to the V_{CC} pin of the NCP30x.



Figure 22. Max Transient Duration vs. Max Overdrive



Figure 23.

FACTORS TO BE CONSIDERED FOR VOLTAGE OPTION SELECTION

The following hysteresis graph depicts V_{DET-_{min/max}} and V_{DET+_{min/max}} for an active low Reset device:

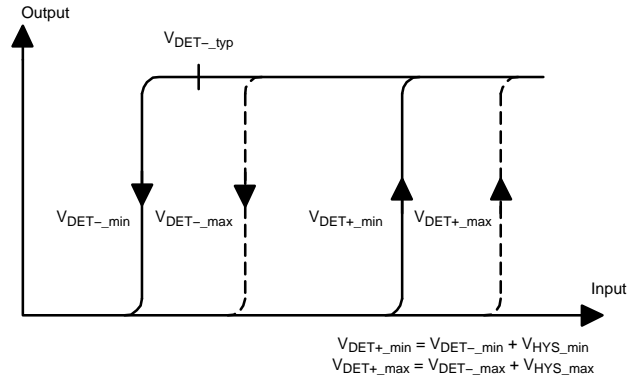


Figure 24.

For selecting a voltage option in the NCP30X family, three major factors should be considered:

1. V_{DET+_{max}}: Maximum detector threshold voltage for increasing V_{in} for the NCP30X device.
2. V_{in_{min}}: Minimum voltage output of the power supply. This is also the input voltage to the NCP30X device.
3. V_{CC_{min}}: Minimum power supply voltage specification for the device that is protected by the NCP30X.

The V_{DET+_{max}} for an NCP30X device is normally calculated as follows:

$$V_{DET+_{max}} = V_{DET-_{max}} + V_{HYS_{max}} \quad (\text{eq. 1})$$

Where:

V_{DET-_{max}} = Maximum detector threshold voltage for decreasing V_{in}

V_{HYS_{max}} = Maximum detector threshold hysteresis

The above two parameters can be obtained directly from the data sheet to figure out the V_{DET+_{max}}.

In the NCP30X family, for a given V_{DET-_{typ}}, which is the typical detection voltage reflected in the part number, the threshold values are designed to the following targets (at 25°C):

$$V_{DET-_{min}} = V_{DET-_{typ}} - 2\% \quad (\text{eq. 2})$$

$$V_{DET-_{max}} = V_{DET-_{typ}} + 2\% \quad (\text{eq. 3})$$

$$V_{HYS_{typ}} = 5\% \text{ of } V_{DET-_{typ}} \quad (\text{eq. 4})$$

$$V_{HYS_{min}} = V_{HYS_{typ}} - 40\% \quad (\text{eq. 5})$$

$$V_{HYS_{max}} = V_{HYS_{typ}} + 40\% \quad (\text{eq. 6})$$

By simple mathematical calculation, combining Equations 2 to 6, Equation 1 becomes:

$$V_{DET+_{max}} = V_{DET-_{typ}} \times 1.09 \quad (\text{eq. 7})$$

NCP300, NCP301

So, $V_{DET+_{max}}$ can be easily figured out just using a single variable $V_{DET-_{typ}}$.

For example, for NCP300LSN18T1G $V_{DET-_{typ}} = 1.8\text{ V}$; then

$$V_{DET+_{max}} = 1.8 \times 1.09 = 1.962\text{ V} \quad (\text{eq. 8})$$

The NCP30X detection voltage option must be chosen such that:

$$V_{CC_{min}} < V_{DET+_{max}} < V_{in_{min}} \quad (\text{eq. 9})$$

The significance of $V_{CC_{min}} < V_{DET+_{max}}$ is that it makes sure the the reset from NCP30X remains asserted (in RESET hold state) till after the power supply exceeds the $V_{CC_{min}}$ requirement; this prevents incorrect device (uP) initiation.

Having $V_{DET+_{max}} < V_{in_{min}}$ makes sure that the NCP30X is able to start up when V_{in} is at the $V_{in_{min}}$.

The theoretical ideal $V_{DET-_{typ}}$ voltage option to be selected by the user, $V_{DET-_{typ_{ideal}}}$, can be given by the following formula:

$$V_{DET-_{typ_{ideal}}} = \frac{(V_{in_{min}} + V_{CC_{min}})}{(2 \times 1.09)} \quad (\text{eq. 10})$$

The following example shows how to select the device voltage option in a real world application.

1. Power supply output specification: $3.3\text{ V} \pm 3\%$
2. Microprocessor core voltage specification: $3.3\text{ V} \pm 5\%$

So, we have:

$$V_{in_{min}} = 3.3\text{ V} - 3\% = 3.201\text{ V} \quad (\text{eq. 11})$$

$$V_{CC_{min}} = 3.3\text{ V} - 5\% = 3.135\text{ V} \quad (\text{eq. 12})$$

Then the ideal voltage option = $(3.201 + 3.135) / (2 * 1.09) = 2.9064\text{ V}$

Therefore, a device voltage option of 2.9 V will be the right choice.

PROPAGATION DELAY VARIATION

On the other hand (see above paragraph), a minimum overdrive value from $V_{threshold}$ to V_{CC} must be respected. That means V_{in} (minimum value of V_{CC}) must be higher enough than V_{DET+} ($V_{DET-} + \text{hysteresis}$) at the risk of significantly increasing propagation delay. (Figure 25) This propagation delay is temperature sensitive.

To avoid acceptable time response, a minimum 100 mV difference between V_{in} and V_{DET+} must be selected.



Figure 25. t_{pLH} and t_{pHL} vs. Input Voltage for the NCP301SNT1

NCP300, NCP301

APPLICATION CIRCUIT INFORMATION



Figure 26. Microprocessor Reset Circuit



Figure 27. Battery Charge Indicator

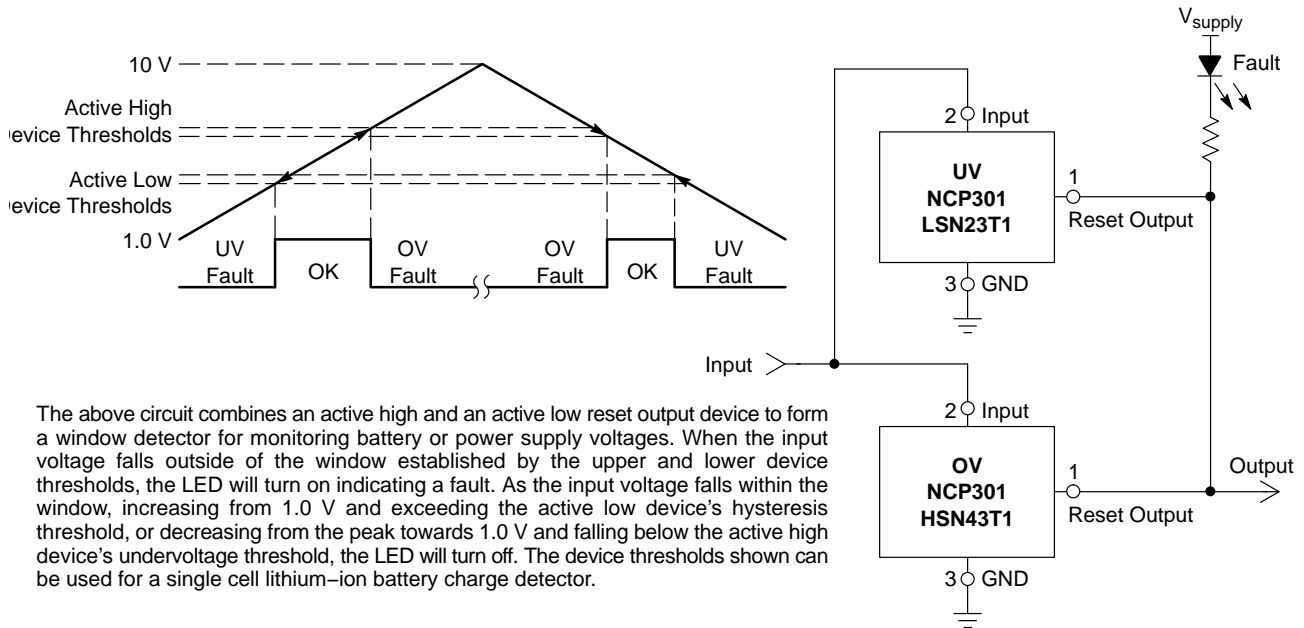


Figure 28. Window Voltage Detector

NCP300, NCP301

APPLICATION CIRCUIT INFORMATION



Figure 29. Dual Power Supply Undervoltage Supervision



Figure 30. Microprocessor Reset Circuit with Additional Hysteresis

Comparator hysteresis can be increased with the addition of resistor R_H . The hysteresis equations have been simplified and do not account for the change of input current I_{in} as V_{in} crosses the comparator threshold. The internal resistance, R_{in} is simply calculated using $I_{in} = 0.26 \mu A$ at 2.6 V.

V_{in} Decreasing:

$$V_{th} = \left(\frac{R_H}{R_{in}} + 1 \right) (V_{DET-})$$

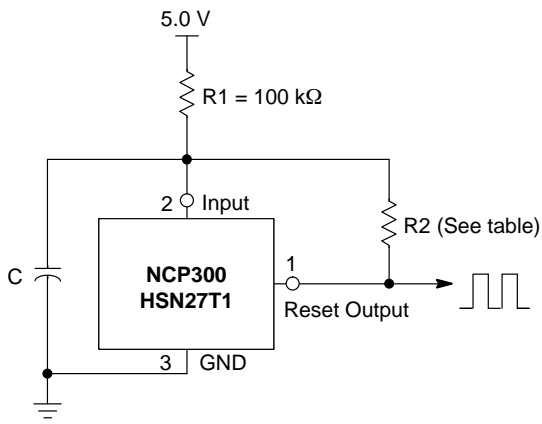
V_{in} Increasing:

$$V_{th} = \left(\frac{R_H}{R_{in} \parallel R_L} + 1 \right) (V_{DET-} + V_{HYS})$$

$$V_{HYS} = V_{in \text{ Increasing}} - V_{in \text{ Decreasing}}$$

| Test Data | | | | |
|-------------------------|-------------------------|---------------|--------------------|---------------------|
| V_{th} Decreasing (V) | V_{th} Increasing (V) | V_{HYS} (V) | R_H (Ω) | R_L (k Ω) |
| 2.70 | 2.84 | 0.135 | 0 | - |
| 2.70 | 2.87 | 0.17 | 100 | 10 |
| 2.70 | 2.88 | 0.18 | 100 | 6.8 |
| 2.70 | 2.91 | 0.21 | 100 | 4.3 |
| 2.70 | 2.90 | 0.20 | 220 | 10 |
| 2.70 | 2.94 | 0.24 | 220 | 6.8 |
| 2.70 | 2.98 | 0.28 | 220 | 4.3 |
| 2.70 | 2.97 | 0.27 | 470 | 10 |
| 2.70 | 3.04 | 0.34 | 470 | 6.8 |
| 2.70 | 3.15 | 0.45 | 470 | 4.3 |

NCP300, NCP301



| Test Data | | | | |
|-----------|------------------------|---------------------|------------------------|---------------------|
| | R2 = 82 kΩ | | R2 = 8.2 kΩ | |
| C (nF) | f _{OSC} (kHz) | I _Q (μA) | f _{OSC} (kHz) | I _Q (μA) |
| 0.01 | 10.4 | 18 | 6.0 | 30 |
| 0.068 | 9.8 | 18 | 5.7 | 30 |
| 1.0 | 6.18 | 21 | 3.6 | 29 |
| 10 | 1.41 | 21 | 1.34 | 25 |
| 100 | 0.27 | 22 | 0.356 | 23 |
| 1000 | 0.045 | 22 | 0.077 | 22 |

Table values are for information only.

Figure 31. Simple Clock Oscillator

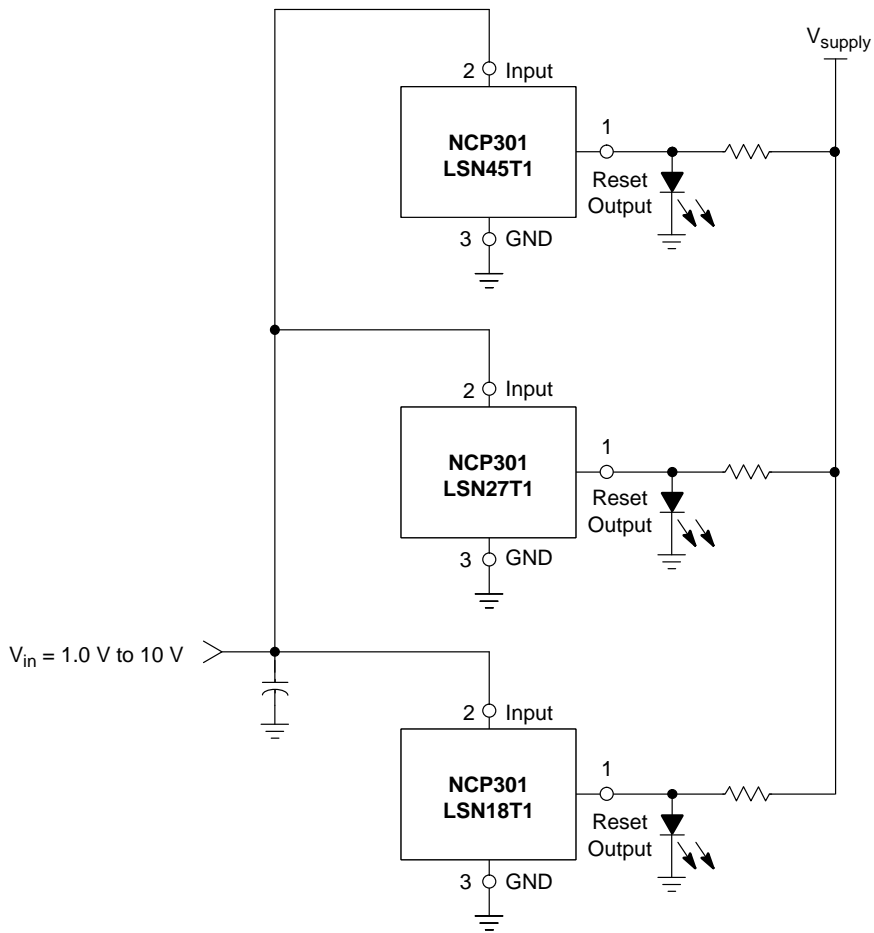


This circuit monitors the current at the load. As current flows through the load, a voltage drop with respect to ground appears across R_{sense} where $V_{sense} = I_{load} * R_{sense}$. The following conditions apply:

| | |
|--|--|
| If: $I_{Load} < V_{DET-} / R_{sense}$ $I_{Load} \geq (V_{DET-} + V_{HYS}) / R_{sense}$ | Then: Reset Output = 0 V Reset Output = V_{DD} |
|--|--|

Figure 32. Microcontroller System Load Sensing

NCP300, NCP301



A simple voltage monitor can be constructed by connecting several voltage detectors as shown above. Each LED will sequentially turn on when the respective voltage detector threshold ($V_{DET-} + V_{HYS}$) is exceeded. Note that detector thresholds (V_{DET-}) that range from 0.9 V to 4.9 V in 100 mV steps can be manufactured.

Figure 33. LED Bar Graph Voltage Monitor

NCP300, NCP301

ORDERING INFORMATION

| Device | Threshold Voltage | Output Type | Reset | Marking | Package | Shipping [†] |
|-----------------|-------------------|-------------|------------------|---------|------------------|---------------------------------|
| NCP300LSN09T1G | 0.9 | CMOS | Active Low | SEJ | TSOP-5 (Pb-Free) | 3000 / Tape & Reel (7 in. Reel) |
| NCP300LSN18T1G | 1.8 | | | SFK | TSOP-5 (Pb-Free) | |
| NCP300LSN185T1G | 1.85 | | | SRA | TSOP-5 (Pb-Free) | |
| NCP300LSN20T1G | 2.0 | | | SHE | TSOP-5 (Pb-Free) | |
| NCV300LSN20T1G* | | | | SIM | | |
| NCP300LSN25T1G | 2.5 | | | RUM | TSOP-5 (Pb-Free) | |
| NCP300LSN27T1G | 2.7 | | | SEE | TSOP-5 (Pb-Free) | |
| NCV300LSN27T1G* | | | | SIW | | |
| NCP300LSN28T1G | 2.8 | | | SED | TSOP-5 (Pb-Free) | |
| NCV300LSN28T1G* | | | | SSL | | |
| NCP300LSN30T1G | 3.0 | | | SEC | TSOP-5 (Pb-Free) | |
| NCV300LSN30T1G* | | | | SQV | | |
| NCP300LSN33T1G | 3.3 | | | SKV | TSOP-5 (Pb-Free) | |
| NCP300LSN34T1G | 3.4 | | | SKU | TSOP-5 (Pb-Free) | |
| NCV300LSN36T1G* | 3.6 | | | SKS | | |
| NCP300LSN44T1G | 4.4 | | | SKK | TSOP-5 (Pb-Free) | |
| NCP300LSN45T1G | 4.5 | | | SEA | TSOP-5 (Pb-Free) | |
| NCP300LSN46T1G | 4.6 | | | SKJ | TSOP-5 (Pb-Free) | |
| NCP300LSN47T1G | 4.7 | SDZ | TSOP-5 (Pb-Free) | | | |
| NCP300HSN09T1G | 0.9 | CMOS | Active High | SDY | TSOP-5 (Pb-Free) | 3000 / Tape & Reel (7 in. Reel) |
| NCP300HSN18T1G | 1.8 | | | SFJ | TSOP-5 (Pb-Free) | |
| NCP300HSN27T1G | 2.7 | | | SDU | TSOP-5 (Pb-Free) | |
| NCP300HSN30T1G | 3.0 | | | SDS | TSOP-5 (Pb-Free) | |
| NCP300HSN45T1G | 4.5 | | | SDQ | TSOP-5 (Pb-Free) | |
| NCP300HSN47T1G | 4.7 | | | SDP | TSOP-5 (Pb-Free) | |

NOTE: The ordering information lists standard undervoltage thresholds with active low outputs. Additional active low threshold devices, ranging from 0.9 V to 4.9 V in 100 mV increments and NCP300/NCP301 active high output devices, ranging from 0.9 V to 4.9 V in 100 mV increments can be manufactured. Contact your ON Semiconductor representative for availability. The electrical characteristics of these additional devices are shown in Tables 1 through 4.

[†]For information on tape and reel specifications, including part orientation and tape sizes, please refer to our Tape and Reel Packaging Specifications Brochure, BRD8011/D.

*NCV prefix for Automotive and Other Applications Requiring Unique Site and Control Change Requirements; AEC-Q100 Qualified and PPAP Capable.

NCVxxx: T_{low} = -40°C, T_{high} = +125°C. Guaranteed by design.

NCP300, NCP301

ORDERING INFORMATION

| Device | Threshold Voltage | Output Type | Reset | Marking | Package | Shipping† |
|-----------------|-------------------|-------------|------------|---------|------------------|---------------------------------|
| NCP301LSN09T1G | 0.9 | Open Drain | Active Low | SFF | TSOP-5 (Pb-Free) | 3000 / Tape & Reel (7 in. Reel) |
| NCP301LSN12T1G | 1.2 | | | SNN | TSOP-5 (Pb-Free) | |
| NCV301LSN12T1* | 1.2 | | | SRK | TSOP-5 (Pb-Free) | |
| NCV301LSN12T1G* | | | | | | |
| NCP301LSN16T1G | 1.6 | | | SNJ | TSOP-5 (Pb-Free) | |
| NCV301LSN16T1* | 1.6 | | | SRL | TSOP-5 (Pb-Free) | |
| NCV301LSN16T1G* | | | | | | |
| NCP301LSN18T1G | 1.8 | | | SFN | TSOP-5 (Pb-Free) | |
| NCP301LSN18T2G | 1.8 | | | DT2 | TSOP-5 (Pb-Free) | |
| NCP301LSN20T1G | | | | 2.0 | SFD | |
| NCV301LSN20T1G* | | | | SRM | | |
| NCP301LSN22T1G | 2.2 | | | SNG | TSOP-5 (Pb-Free) | |
| NCV301LSN22T1* | 2.2 | | | SUA | TSOP-5 (Pb-Free) | |
| NCV301LSN22T1G* | | | | | | |
| NCP301LSN24T1G | 2.4 | | | TAN | TSOP-5 (Pb-Free) | |
| NCP301LSN25T1G | 2.5 | | | SNF | TSOP-5 (Pb-Free) | |
| NCP301LSN25T2G | 2.5 | | | ET2 | TSOP-5 (Pb-Free) | |
| NCV301LSN25T1G* | | | | SRN | TSOP-5 (Pb-Free) | |
| NCP301LSN26T1G | 2.6 | | | SNE | TSOP-5 (Pb-Free) | |
| NCP301LSN27T1G | 2.7 | | | SFA | TSOP-5 (Pb-Free) | |
| NCP301LSN27T2G | 2.7 | | | FT2 | TSOP-5 (Pb-Free) | |
| NCP301LSN28T1G | | | | 2.8 | SEZ | |
| NCV301LSN28T1G* | | | | SRO | TSOP-5 (Pb-Free) | |
| NCP301LSN30T1G | 3.0 | | | SEY | TSOP-5 (Pb-Free) | |
| NCP301LSN30T2G | 3.0 | | | GT2 | TSOP-5 (Pb-Free) | |
| NCV301LSN30T1G* | | | | AJA | TSOP-5 (Pb-Free) | |
| NCP301LSN31T1G | 3.1 | | | SEW | TSOP-5 (Pb-Free) | |
| NCP301LSN32T1G | 3.2 | | | SNC | TSOP-5 (Pb-Free) | |

NOTE: The ordering information lists standard undervoltage thresholds with active low outputs. Additional active low threshold devices, ranging from 0.9 V to 4.9 V in 100 mV increments and NCP300/NCP301 active high output devices, ranging from 0.9 V to 4.9 V in 100 mV increments can be manufactured. Contact your ON Semiconductor representative for availability. The electrical characteristics of these additional devices are shown in Tables 1 through 4.

†For information on tape and reel specifications, including part orientation and tape sizes, please refer to our Tape and Reel Packaging Specifications Brochure, BRD8011/D.

*NCV prefix for Automotive and Other Applications Requiring Unique Site and Control Change Requirements; AEC-Q100 Qualified and PPAP Capable.

NCVxxx: T_{low} = -40°C, T_{high} = +125°C. Guaranteed by design.

NCP300, NCP301

ORDERING INFORMATION

| Device | Threshold Voltage | Output Type | Reset | Marking | Package | Shipping† |
|-----------------|-------------------|-------------|------------|---------|------------------|---------------------------------|
| NCP301LSN33T1G | 3.3 | Open Drain | Active Low | SNB | TSOP-5 (Pb-Free) | 3000 / Tape & Reel (7 in. Reel) |
| NCV301LSN33T1G* | | | | ACG | TSOP-5 (Pb-Free) | |
| NCP301LSN34T1G | 3.4 | | | SNA | TSOP-5 (Pb-Free) | |
| NCP301LSN36T1G | | | | SMY | | |
| NCP301LSN39T1G | | | | SNA | | |
| NCP301LSN40T1G | 4.0 | | | SMU | TSOP-5 (Pb-Free) | |
| NCV301LSN40T1* | | | | SRP | TSOP-5 | |
| NCV301LSN40T1G* | | | | | TSOP-5 (Pb-Free) | |
| NCP301LSN42T1G | 4.2 | | | SMS | TSOP-5 (Pb-Free) | |
| NCV301LSN42T1G* | | | | ACR | | |
| NCP301LSN45T1G | 4.5 | | | SEV | TSOP-5 (Pb-Free) | |
| NCV301LSN45T1G* | | | | SRQ | | |
| NCP301LSN46T1G | 4.6 | | | SMP | TSOP-5 (Pb-Free) | |
| NCP301LSN47T1G | 4.7 | | | SEU | TSOP-5 (Pb-Free) | |
| NCV301LSN47T1G* | | | | SSJ | | |

NOTE: The ordering information lists standard undervoltage thresholds with active low outputs. Additional active low threshold devices, ranging from 0.9 V to 4.9 V in 100 mV increments and NCP300/NCP301 active high output devices, ranging from 0.9 V to 4.9 V in 100 mV increments can be manufactured. Contact your ON Semiconductor representative for availability. The electrical characteristics of these additional devices are shown in Tables 1 through 4.

†For information on tape and reel specifications, including part orientation and tape sizes, please refer to our Tape and Reel Packaging Specifications Brochure, BRD8011/D.

*NCV prefix for Automotive and Other Applications Requiring Unique Site and Control Change Requirements; AEC-Q100 Qualified and PPAP Capable.

NCVxxx: $T_{low} = -40^{\circ}\text{C}$, $T_{high} = +125^{\circ}\text{C}$. Guaranteed by design.

NCP300, NCP301

ORDERING INFORMATION

| Device | Threshold Voltage | Output Type | Reset | Marking | Package | Shipping† |
|-----------------|-------------------|-------------|-------------|---------|------------------|---------------------------------|
| NCP301HSN09T1G | 0.9 | Open Drain | Active High | SET | TSOP-5 (Pb-Free) | 3000 / Tape & Reel (7 in. Reel) |
| NCP301HSN18T1G | 1.8 | | | SFM | TSOP-5 (Pb-Free) | |
| NCP301HSN22T1G | 2.2 | | | SMD | TSOP-5 (Pb-Free) | |
| NCP301HSN27T1G | 2.7 | | | SEP | TSOP-5 (Pb-Free) | |
| NCV301HSN27T1G* | | | | SUD | | |
| NCP301HSN30T1G | 3.0 | | | SEN | TSOP-5 (Pb-Free) | |
| NCP301HSN45T1G | 4.5 | | | SEL | TSOP-5 (Pb-Free) | |

NOTE: The ordering information lists standard undervoltage thresholds with active low outputs. Additional active low threshold devices, ranging from 0.9 V to 4.9 V in 100 mV increments and NCP300/NCP301 active high output devices, ranging from 0.9 V to 4.9 V in 100 mV increments can be manufactured. Contact your ON Semiconductor representative for availability. The electrical characteristics of these additional devices are shown in Tables 1 through 4.

†For information on tape and reel specifications, including part orientation and tape sizes, please refer to our Tape and Reel Packaging Specifications Brochure, BRD8011/D.

*NCV prefix for Automotive and Other Applications Requiring Unique Site and Control Change Requirements; AEC-Q100 Qualified and PPAP Capable.

NCVxxx: $T_{low} = -40^{\circ}\text{C}$, $T_{high} = +125^{\circ}\text{C}$. Guaranteed by design.

MECHANICAL CASE OUTLINE PACKAGE DIMENSIONS

ON Semiconductor®



SCALE 2:1

TSOP-5 CASE 483 ISSUE N

DATE 12 AUG 2020

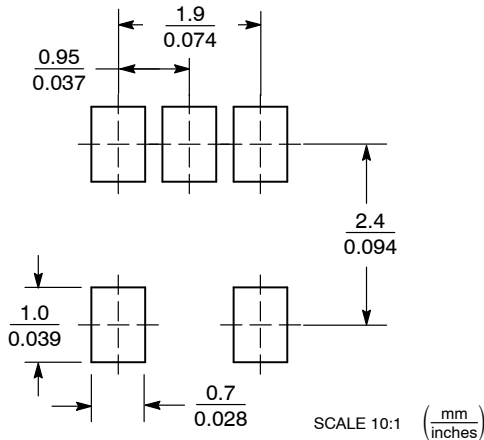


NOTES:

1. DIMENSIONING AND TOLERANCING PER ASME Y14.5M, 1994.
2. CONTROLLING DIMENSION: MILLIMETERS.
3. MAXIMUM LEAD THICKNESS INCLUDES LEAD FINISH THICKNESS. MINIMUM LEAD THICKNESS IS THE MINIMUM THICKNESS OF BASE MATERIAL.
4. DIMENSIONS A AND B DO NOT INCLUDE MOLD FLASH, PROTRUSIONS, OR GATE BURRS. MOLD FLASH, PROTRUSIONS, OR GATE BURRS SHALL NOT EXCEED 0.15 PER SIDE. DIMENSION A.
5. OPTIONAL CONSTRUCTION: AN ADDITIONAL TRIMMED LEAD IS ALLOWED IN THIS LOCATION. TRIMMED LEAD NOT TO EXTEND MORE THAN 0.2 FROM BODY.

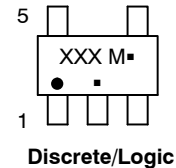
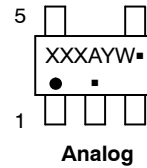
| DIM | MILLIMETERS | |
|-----|-------------|------|
| | MIN | MAX |
| A | 2.85 | 3.15 |
| B | 1.35 | 1.65 |
| C | 0.90 | 1.10 |
| D | 0.25 | 0.50 |
| G | 0.95 BSC | |
| H | 0.01 | 0.10 |
| J | 0.10 | 0.26 |
| K | 0.20 | 0.60 |
| M | 0° | 10° |
| S | 2.50 | 3.00 |

SOLDERING FOOTPRINT*



*For additional information on our Pb-Free strategy and soldering details, please download the ON Semiconductor Soldering and Mounting Techniques Reference Manual, SOLDERRM/D.

GENERIC MARKING DIAGRAM*



- XXX = Specific Device Code XXX = Specific Device Code
 A = Assembly Location M = Date Code
 Y = Year ■ = Pb-Free Package
 W = Work Week
 ■ = Pb-Free Package

(Note: Microdot may be in either location)

*This information is generic. Please refer to device data sheet for actual part marking. Pb-Free indicator, "G" or microdot "■", may or may not be present.

| | | |
|------------------|-------------|--|
| DOCUMENT NUMBER: | 98ARB18753C | Electronic versions are uncontrolled except when accessed directly from the Document Repository. Printed versions are uncontrolled except when stamped "CONTROLLED COPY" in red. |
| DESCRIPTION: | TSOP-5 | PAGE 1 OF 1 |

ON Semiconductor and ON are trademarks of Semiconductor Components Industries, LLC dba ON Semiconductor or its subsidiaries in the United States and/or other countries. ON Semiconductor reserves the right to make changes without further notice to any products herein. ON Semiconductor makes no warranty, representation or guarantee regarding the suitability of its products for any particular purpose, nor does ON Semiconductor assume any liability arising out of the application or use of any product or circuit, and specifically disclaims any and all liability, including without limitation special, consequential or incidental damages. ON Semiconductor does not convey any license under its patent rights nor the rights of others.

ON Semiconductor and  are trademarks of Semiconductor Components Industries, LLC dba ON Semiconductor or its subsidiaries in the United States and/or other countries. ON Semiconductor owns the rights to a number of patents, trademarks, copyrights, trade secrets, and other intellectual property. A listing of ON Semiconductor's product/patent coverage may be accessed at www.onsemi.com/site/pdf/Patent-Marking.pdf. ON Semiconductor reserves the right to make changes without further notice to any products herein. ON Semiconductor makes no warranty, representation or guarantee regarding the suitability of its products for any particular purpose, nor does ON Semiconductor assume any liability arising out of the application or use of any product or circuit, and specifically disclaims any and all liability, including without limitation special, consequential or incidental damages. Buyer is responsible for its products and applications using ON Semiconductor products, including compliance with all laws, regulations and safety requirements or standards, regardless of any support or applications information provided by ON Semiconductor. "Typical" parameters which may be provided in ON Semiconductor data sheets and/or specifications can and do vary in different applications and actual performance may vary over time. All operating parameters, including "Typicals" must be validated for each customer application by customer's technical experts. ON Semiconductor does not convey any license under its patent rights nor the rights of others. ON Semiconductor products are not designed, intended, or authorized for use as a critical component in life support systems or any FDA Class 3 medical devices or medical devices with a same or similar classification in a foreign jurisdiction or any devices intended for implantation in the human body. Should Buyer purchase or use ON Semiconductor products for any such unintended or unauthorized application, Buyer shall indemnify and hold ON Semiconductor and its officers, employees, subsidiaries, affiliates, and distributors harmless against all claims, costs, damages, and expenses, and reasonable attorney fees arising out of, directly or indirectly, any claim of personal injury or death associated with such unintended or unauthorized use, even if such claim alleges that ON Semiconductor was negligent regarding the design or manufacture of the part. ON Semiconductor is an Equal Opportunity/Affirmative Action Employer. This literature is subject to all applicable copyright laws and is not for resale in any manner.

PUBLICATION ORDERING INFORMATION

LITERATURE FULFILLMENT:

Email Requests to: orderlit@onsemi.com

ON Semiconductor Website: www.onsemi.com

TECHNICAL SUPPORT

North American Technical Support:
Voice Mail: 1 800-282-9855 Toll Free USA/Canada
Phone: 011 421 33 790 2910

Europe, Middle East and Africa Technical Support:

Phone: 00421 33 790 2910

For additional information, please contact your local Sales Representative