



Is Now Part of



**ON Semiconductor®**

To learn more about ON Semiconductor, please visit our website at  
[www.onsemi.com](http://www.onsemi.com)

Please note: As part of the Fairchild Semiconductor integration, some of the Fairchild orderable part numbers will need to change in order to meet ON Semiconductor's system requirements. Since the ON Semiconductor product management systems do not have the ability to manage part nomenclature that utilizes an underscore (\_), the underscore (\_) in the Fairchild part numbers will be changed to a dash (-). This document may contain device numbers with an underscore (\_). Please check the ON Semiconductor website to verify the updated device numbers. The most current and up-to-date ordering information can be found at [www.onsemi.com](http://www.onsemi.com). Please email any questions regarding the system integration to [Fairchild\\_questions@onsemi.com](mailto:Fairchild_questions@onsemi.com).

ON Semiconductor and the ON Semiconductor logo are trademarks of Semiconductor Components Industries, LLC dba ON Semiconductor or its subsidiaries in the United States and/or other countries. ON Semiconductor owns the rights to a number of patents, trademarks, copyrights, trade secrets, and other intellectual property. A listing of ON Semiconductor's product/patent coverage may be accessed at [www.onsemi.com/site/pdf/Patent-Marking.pdf](http://www.onsemi.com/site/pdf/Patent-Marking.pdf). ON Semiconductor reserves the right to make changes without further notice to any products herein. ON Semiconductor makes no warranty, representation or guarantee regarding the suitability of its products for any particular purpose, nor does ON Semiconductor assume any liability arising out of the application or use of any product or circuit, and specifically disclaims any and all liability, including without limitation special, consequential or incidental damages. Buyer is responsible for its products and applications using ON Semiconductor products, including compliance with all laws, regulations and safety requirements or standards, regardless of any support or applications information provided by ON Semiconductor. "Typical" parameters which may be provided in ON Semiconductor data sheets and/or specifications can and do vary in different applications and actual performance may vary over time. All operating parameters, including "Typicals" must be validated for each customer application by customer's technical experts. ON Semiconductor does not convey any license under its patent rights nor the rights of others. ON Semiconductor products are not designed, intended, or authorized for use as a critical component in life support systems or any FDA Class 3 medical devices or medical devices with a same or similar classification in a foreign jurisdiction or any devices intended for implantation in the human body. Should Buyer purchase or use ON Semiconductor products for any such unintended or unauthorized application, Buyer shall indemnify and hold ON Semiconductor and its officers, employees, subsidiaries, affiliates, and distributors harmless against all claims, costs, damages, and expenses, and reasonable attorney fees arising out of, directly or indirectly, any claim of personal injury or death associated with such unintended or unauthorized use, even if such claim alleges that ON Semiconductor was negligent regarding the design or manufacture of the part. ON Semiconductor is an Equal Opportunity/Affirmative Action Employer. This literature is subject to all applicable copyright laws and is not for resale in any manner.



# FSA2380 — Low R<sub>ON</sub> (0.75 Ω) 3:1 Negative Swing Audio Source Switch

## Features

- 10 μA Maximum I<sub>CCT</sub> Current Over An Expanded Control Voltage Range (V<sub>IN</sub>=2.6 V, V<sub>CC</sub>=4.3 V)
- C<sub>ON</sub> Capacitance 70 pF Typical
- 0.75 Ω Typical On Resistance (R<sub>ON</sub>)
- 1Bn, 2Bn Ports Support Negative Swing Audio to -2 V
- -3 db Bandwidth: > 120 MHz
- Low Power Consumption (1 μA maximum)
- Power-Off Feature for 1 A/2 A Pin (I<sub>IN</sub> < 2 μA)
- Packaged in Pb-Free 14-Pin TSSOP and DQFN

## Description

The FSA2380 is a Double-Pole, Triple Throw (DP3T) multiplexer that routes three dual-channel sources of data or audio under the control of a single pair of select pins. The FSA2380 has special circuitry on the 1A/2A pins to allow a power-off feature. With the V<sub>CC</sub> supply removed and voltage on the 1A/2A pins, there is minimal leakage current into the 1A/2A data pins. The FSA2380 also features very low quiescent current and a power-off feature to extend battery life. The low quiescent current feature allows mobile handset applications direct interface with the baseband processor general-purpose I/Os. Typical applications involve switching in portables and consumer applications, such as cell phones, digital cameras, and notebooks with hubs or controllers.

## Applications

- Cell Phone, PDA, Digital Camera, and Notebook
- LCD Monitor, TV, and Set-Top Box

## Ordering Information

Part Number	Top Mark	Packing Description
FSA2380BQX	2380	14-Terminal Depopulated very thin Quad Flat-pack No leads (DQFN) 2.5 x 3.0 mm, JEDEC MO-241
FSA2380MTCX	FSA2380	14-Lead Thin Shrink Small Outline Package (TSSOP) 4.4 mm wide, JEDEC MO-153

## Analog Symbol

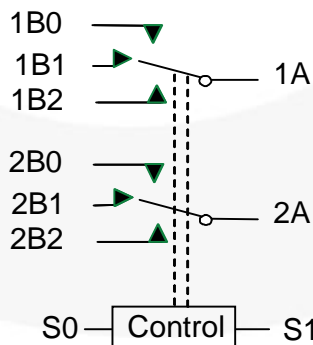


Figure 1. FSA2380 Analog Symbol

## Pin Assignments

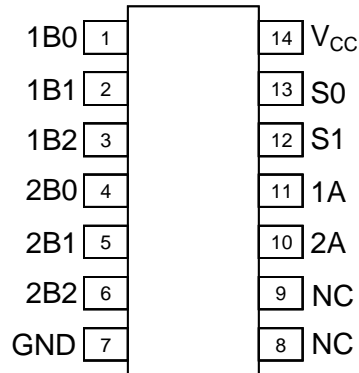


Figure 2. TSSOP-14 (Top Through View)

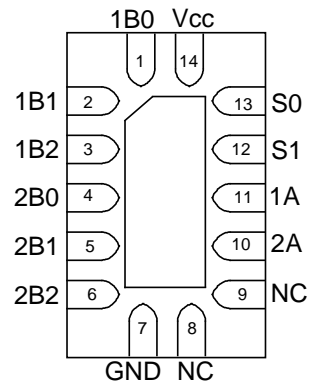


Figure 3. DQFN-14 (Top Through View)

## Pin Descriptions

Name	Description
S0, S1	Switch Control Selects
1A, 2A	A Data Bus (Common)
1Bn, 2Bn	Multiplexed Source inputs

## Truth Table

S1	S0	Function
LOW Logic Level	LOW Logic Level	Disconnected (Hi-Z)
LOW Logic Level	HIGH Logic Level	1B0 = 1A; 2B0 = 2A
HIGH Logic Level	LOW Logic Level	1B1 = 1A; 2B1 = 2A
HIGH Logic Level	HIGH Logic Level	1B2 = 1A; 2B2 = 2A

## Absolute Maximum Ratings

Stresses exceeding the absolute maximum ratings may damage the device. The device may not function or be operable above the recommended operating conditions and stressing the parts to these levels is not recommended. In addition, extended exposure to stresses above the recommended operating conditions may affect device reliability. The absolute maximum ratings are stress ratings only.

Symbol	Parameter	Min.	Max.	Unit	
V <sub>CC</sub>	Supply Voltage	-0.5	6.0	V	
V <sub>SW</sub>	Switch I/O Voltage <sup>(1)</sup>	1Bn, 2Bn Pins	V <sub>CC</sub> -5.5	V <sub>CC</sub> +0.3	V
		1A, 2A Pins	V <sub>CC</sub> -5.5	V <sub>CC</sub> +0.3	V
V <sub>CNTRL</sub>	Control Input Voltage <sup>(1)</sup> S0, S1 Pins	-0.5	6.0	V	
I <sub>IK</sub>	Input Clamp Diode Current	-50		mA	
I <sub>SW</sub>	Switch I/O Current (Continuous)		350	mA	
I <sub>SWPEAK</sub>	Peak Switch Current (Pulsed at 1ms Duration, <10% Duty Cycle)		500	mA	
P <sub>D</sub>	Power Dissipation at 85°C	DQFN-14		2.5	μW
		TSSOP-14		2.5	μW
T <sub>STG</sub>	Storage Temperature Range	-65	+150	°C	
T <sub>J</sub>	Maximum Junction Temperature		+150	°C	
T <sub>L</sub>	Lead Temperature (Soldering, 10 seconds)		+260	°C	
ESD	Human Body Model (JEDEC: JESD22-A114)	All Pins		5500	kV
		I/O to GND		8000	
		VCC to GND		8000	
	Charged Device Model (JEDEC-JESD22-C101)		2000	kV	

**Note:**

- The input and output negative ratings may be exceeded if the input and output diode current ratings are observed.

## Recommended Operating Conditions

The Recommended Operating Conditions table defines the conditions for actual device operation. Recommended operating conditions are specified to ensure optimal performance to the datasheet specifications. Fairchild does not recommend exceeding them or designing to Absolute Maximum Ratings.

Symbol	Parameter	Min.	Max.	Unit	
V <sub>CC</sub>	Supply Voltage	2.7	5.0	V	
V <sub>CNTRL</sub>	Control Input Voltage (V <sub>S0:S1</sub> )	0	V <sub>CC</sub>	V	
V <sub>SW</sub>	Switch I/O Voltage	V <sub>CC</sub> -5.5	V <sub>CC</sub>		
T <sub>A</sub>	Operating Temperature	-40	+85	°C	
θ <sub>JA</sub>	Thermal Resistance (free air)	DQFN-14		145	°C/W
		TSSOP-14			

## DC Electrical Characteristics

All typical values are at 25°C unless otherwise specified.

Symbol	Parameter	Conditions	V <sub>CC</sub> (V)	T <sub>A</sub> = - 40°C to +85°C			Unit
				Min.	Typ.	Max.	
	Analog Signal Range			V <sub>CC</sub> - 5.5		V <sub>CC</sub>	V
V <sub>IK</sub>	Clamp Diode Voltage					1.2	V
V <sub>IH</sub>	Control Input Voltage HIGH		2.7 to 3.6	1.2			V
			3.6 to 4.3	1.5			
V <sub>IL</sub>	Control Input Voltage LOW		2.7 to 3.6			0.5	V
			3.6 to 4.3			0.7	
I <sub>IN</sub>	Control Input Leakage	V <sub>IN</sub> = 0 to V <sub>CC</sub>	4.3			±1	μA
I <sub>OFF</sub>	Power Off Leakage Current (Common Port Only 1A, 2A)	Common Port (1A, 2A) V <sub>SW</sub> = 0 to 4.3 V V <sub>CC</sub> = 0 V	0V			±10	μA
I <sub>NO(OFF)</sub>	Off-Leakage Current of Port (1Bn, 2Bn)	1Bn, 2Bn or 1A, 2A = 0.3 V, V <sub>CC</sub> -0.5 V, or Floating	4.3	-50	10	50	nA
I <sub>NC(ON)</sub>	On-Leakage Current of Port 1Bn, 2Bn	1Bn, 2Bn or 1A, 2A = 0.3 V, V <sub>CC</sub> -0.5 V, or Floating	4.3	-50	10	50	nA
R <sub>ON</sub>	Switch On Resistance <sup>(2)</sup>	1Bn or 2Bn = 0 V, 0.7 V, 2.0 V, 2.7 V; I <sub>ON</sub> = -100 mA See Figure 7, Figure 8	2.70		0.75	2.00	Ω
ΔR <sub>ON</sub>	Delta On Resistance <sup>(3)</sup>	1Bn or 2Bn = 0.7 V, V <sub>CC</sub> , I <sub>ON</sub> = -100 mA	2.70		0.50		Ω
R <sub>FLAT(ON)</sub>	On Resistance Flatness <sup>(4)</sup>	1Bn or 2Bn = 0V, 0.7 V, 2.0 V, 2.7 V; I <sub>ON</sub> = -100 mA See Figure 7, Figure 8	2.7 to 4.3		0.23	0.40	Ω
I <sub>CC</sub>	Quiescent Supply Current	V <sub>SW</sub> = 0 or V <sub>CC</sub> -0.3 I <sub>OUT</sub> = 0	4.3		22	500	nA
I <sub>CC</sub> T	Increase in Quiescent Supply Current per Control Voltage and V <sub>CC</sub>	V <sub>CNTRL</sub> = 2.6 V	4.3		2.0	10.0	μA
		V <sub>CNTRL</sub> = 1.8 V			6.5	15.0	

### Notes:

- R<sub>ON</sub> measured by the voltage drop between 1Bn (2Bn) and 1A (2A) pins at identical current through the switch. R<sub>ON</sub> is determined by the lower of the voltage on the two pins.
- Guaranteed by characterization, not production tested.
- Flatness is defined as the difference between the maximum and minimum values of on resistance over the specified range of conditions.

## AC Electrical Characteristics

All typical value are for  $V_{CC} = 3.3\text{ V}$  at  $25^\circ\text{C}$  unless otherwise specified.

Symbol	Parameter	Conditions	$V_{CC}$ (V)	$T_A = -40^\circ\text{C}$ to $+85^\circ\text{C}$			Unit
				Min.	Typ.	Max.	
$t_{ON}$	Turn-On Time S[0:1] to Output	$V_{Bn} = 1.5\text{ V}$ , $R_L = 50\Omega$ , $C_L = 35\text{ pF}$ Figure 10, Figure 12	2.7 to 4.3		30	60	ns
$t_{OFF}$	Turn-Off Time S[0:1] to Output	$V_{Bn} = 1.5\text{ V}$ , $R_L = 50\Omega$ , $C_L = 35\text{ pF}$ Figure 10, Figure 12	2.7 to 4.3		22	45	ns
$t_{PD}$	Propagation Delay <sup>(5)</sup>	$R_L = 50\ \Omega$ , $C_L = 5\text{ pF}$ Figure 13	3.3		0.25		ns
$t_{BBM}$	Break-Before-Make <sup>(5)</sup>	$R_L = 50\ \Omega$ , $C_L = 5\text{ pF}$ $V_{IN1} = V_{IN2} = V_{IN3} = 1.5\text{ V}$ Figure 11	2.7 to 4.3	1	6		ns
Q	Charge Injection	$R_{GEN} = 0\ \Omega$ , $C_L = 100\text{ pF}$ , $R_L = \text{OPEN}$ Figure 14	2.7 to 4.3		9		pC
$O_{IRR}$	Off-Isolation	$f = 100\text{ kHz}$ , $R_L = 50\ \Omega$ Figure 4, Figure 16	2.7 to 4.3		-68		dB
Xtalk	Non-Adjacent Channel Crosstalk	$f = 100\text{ kHz}$ , $R_L = 50\ \Omega$ Figure 5, Figure 17	2.7 to 4.3		-60		dB
THD	Total Harmonic Distortion	$f = 20\text{ Hz}$ to $20\text{ kHz}$ , $R_L = 600\ \Omega$ , $V_{SW} = 0.5V_{pp}$ , Figure 20	2.7 to 4.3		0.01		%
BW	-3 db Bandwidth	$R_L = 50\ \Omega$ , $C_L = 0, 5\text{ pF}$ Figure 6, Figure 15	2.7 to 4.3		120		MHz

**Note:**

5. Guaranteed by characterization, not production tested.

## Capacitance

Symbol	Parameter	Conditions	$T_A = -40^\circ\text{C}$ to $+85^\circ\text{C}$	Unit
			Typical	
$C_{IN}$	Control Pin Input Capacitance	$V_{CC} = 0\text{ V}$	2.75	pF
$C_{ON}$	A/B On Capacitance	$V_{CC} = 3.3\text{ V}$ ; S[0:1] = 01, 10, 11; $f = 1\text{ MHz}$ Figure 19	70	pF
$C_{OFFA}$	Port 1A, 2A Off Capacitance	$V_{CC} = 3.3\text{ V}$ , S[0:1] = 00 Figure 18	42	pF
$C_{OFFB}$	Port 1Bn, 2Bn Off Capacitance	$V_{CC} = 3.3\text{ V}$ , S[0:1] = 00 Figure 18	20	pF

### Typical Characteristics

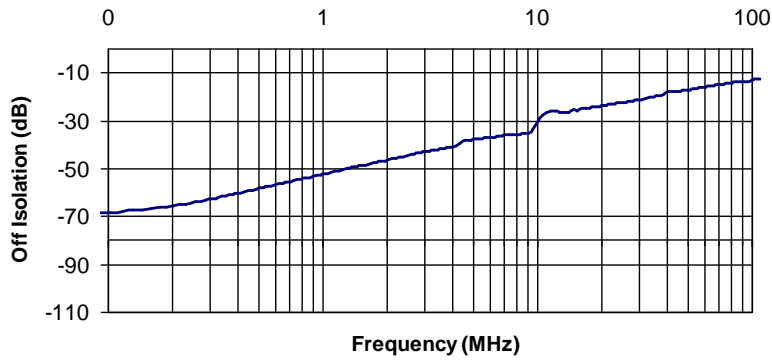


Figure 4. Off Isolation  $V_{CC} = 3.3\text{ V}, C_L = 0\text{ pF}$

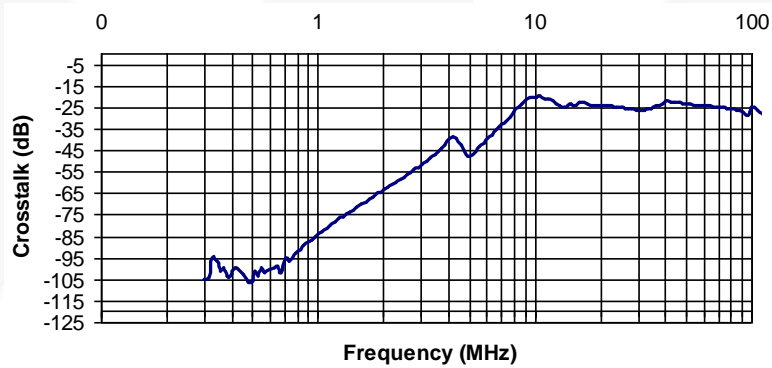


Figure 5. Non-Adjacent Crosstalk  $V_{CC} = 3.3\text{ V}, C_L = 0\text{ pF}$

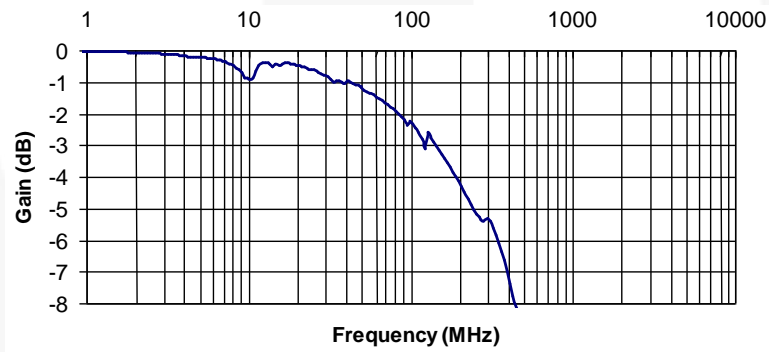


Figure 6. Bandwidth  $V_{CC} = 3.3\text{ V}, C_L = 0\text{ pF}$

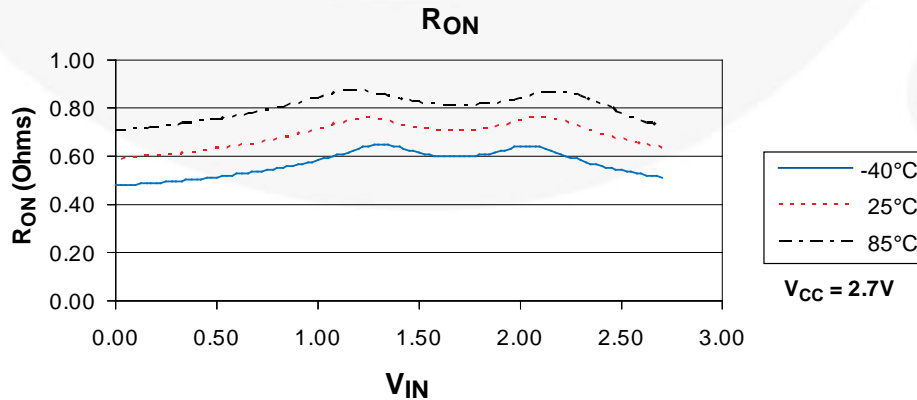
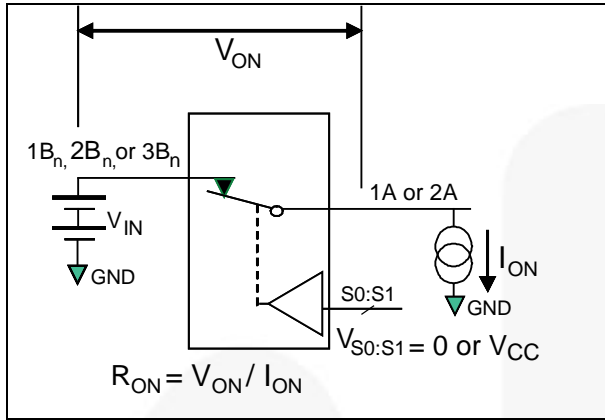
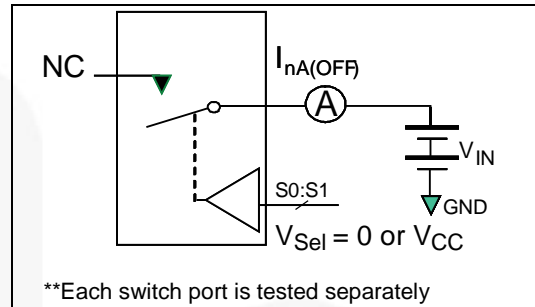


Figure 7. Switch On Resistance,  $R_{ON}$   $V_{CC} = 2.7\text{ V}$

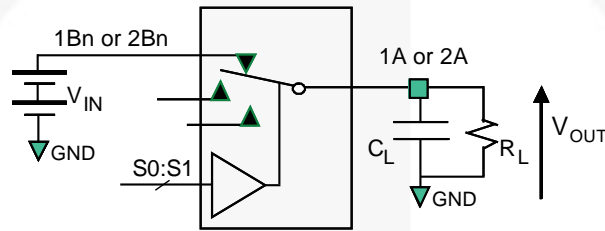
### Test Diagrams



**Figure 8. On Resistance**

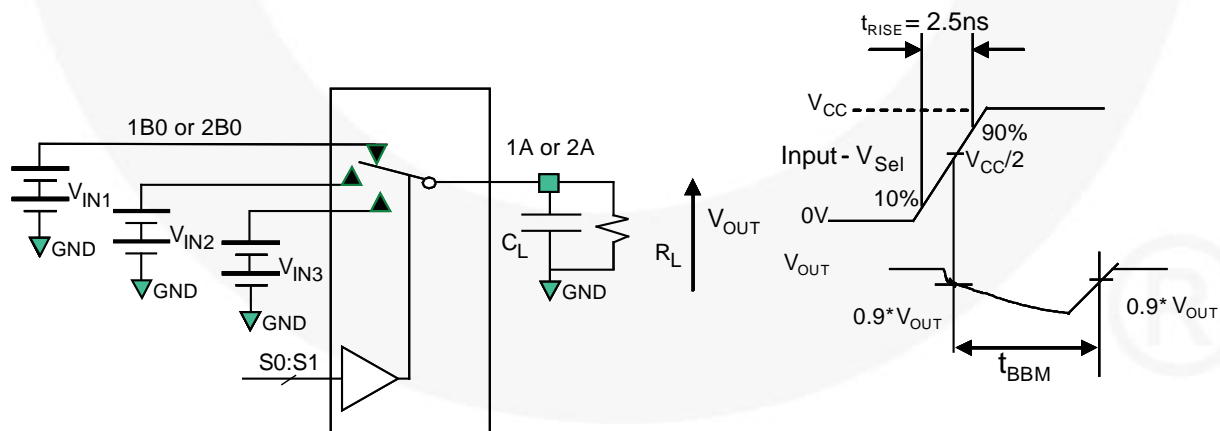


**Figure 9. Off Leakage**



$R_L$  and  $C_L$  are functions of the application environment (see AC Tables for specific values)  
 $C_L$  includes test fixture and stray capacitance

**Figure 10. AC Test Circuit Load**



$R_L$  and  $C_L$  are functions of the application environment (see AC Tables for specific values)  
 $C_L$  includes test fixture and stray capacitance

**Figure 11. Break-Before-Make Timing**



Test Diagrams (Continued)

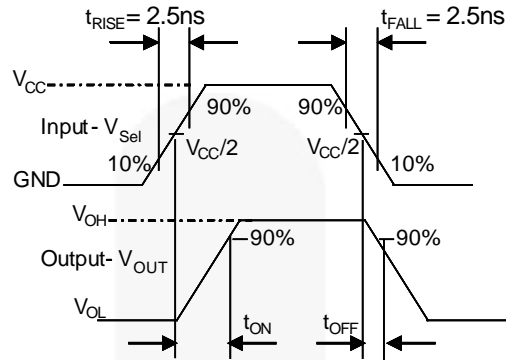


Figure 12. Turn-On / Turn-Off Waveforms

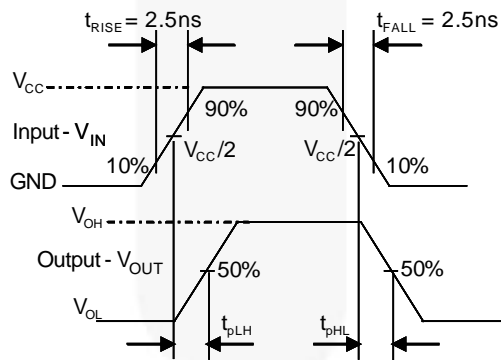


Figure 13. Switch Propagation Delay Waveforms

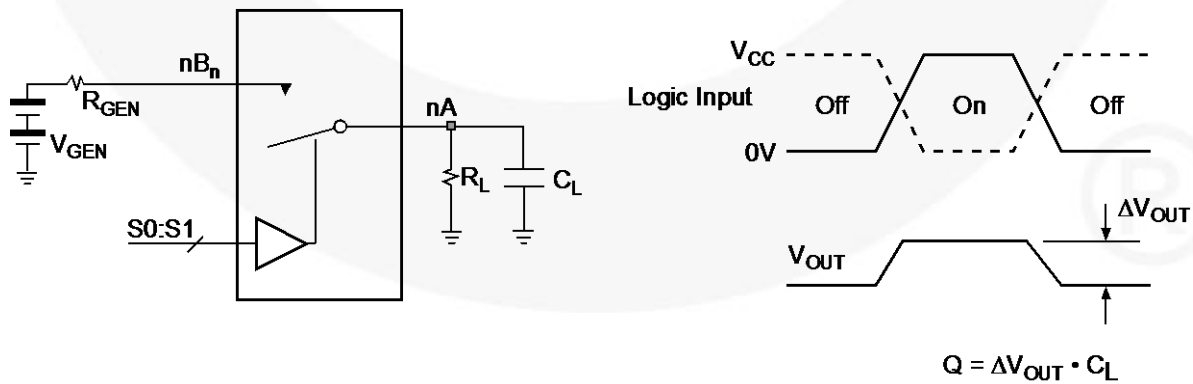
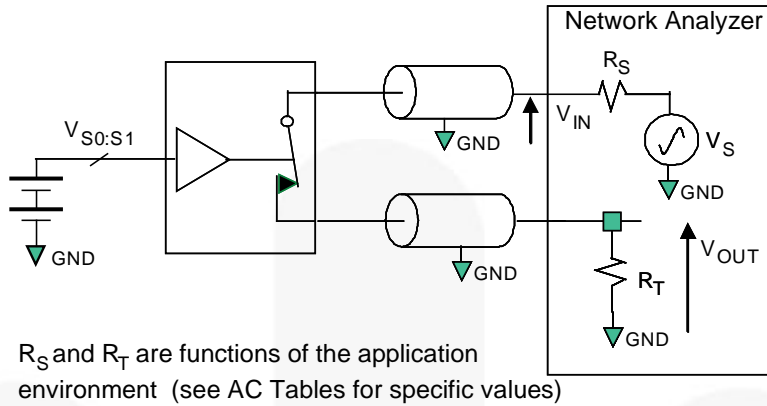
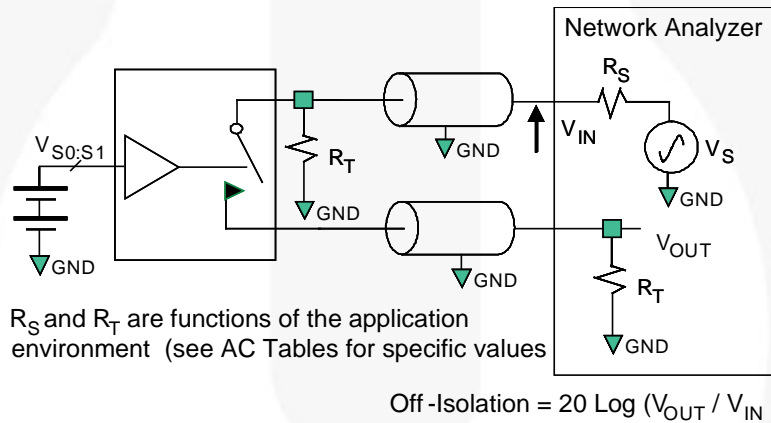


Figure 14. Charge Injection Test

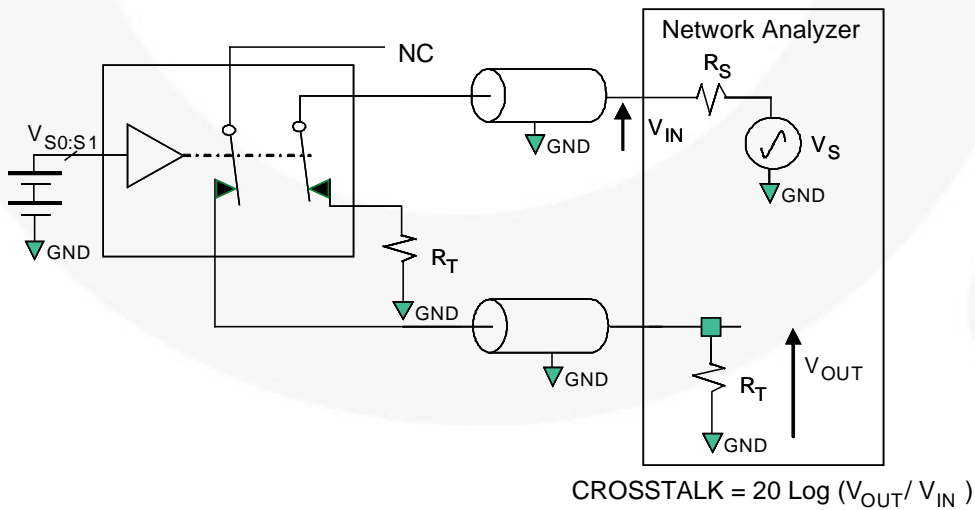
**Test Diagrams** (Continued)



**Figure 15. Bandwidth**



**Figure 16. Channel Off Isolation**



**Figure 17. Non-Adjacent Channel-to-Channel Crosstalk**

Test Diagrams (Continued)

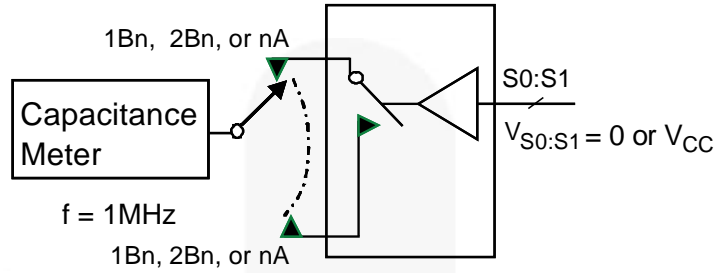


Figure 18. Channel Off Capacitance

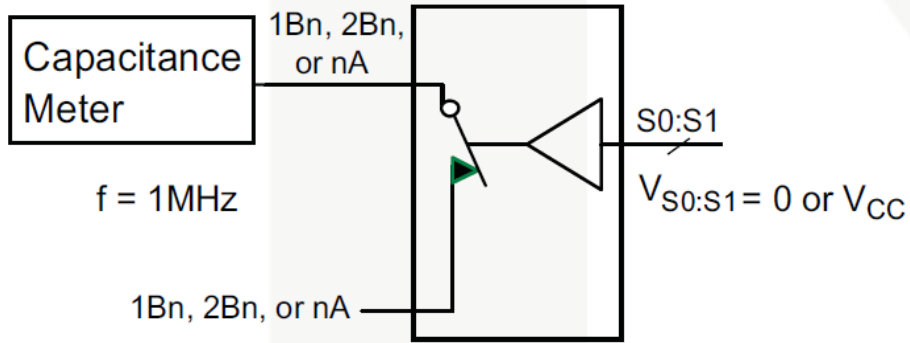


Figure 19. Channel On Capacitance

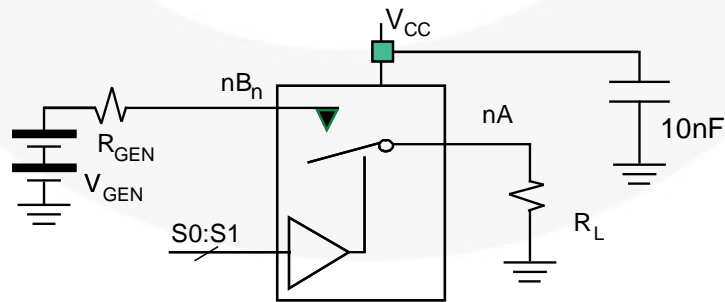
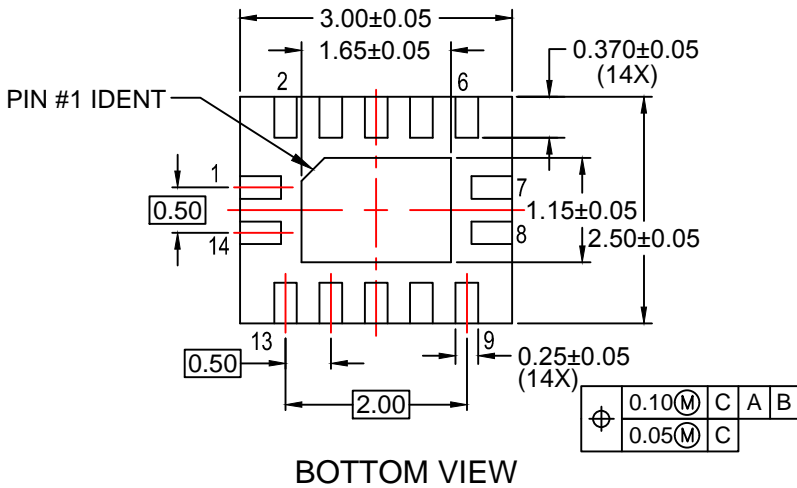
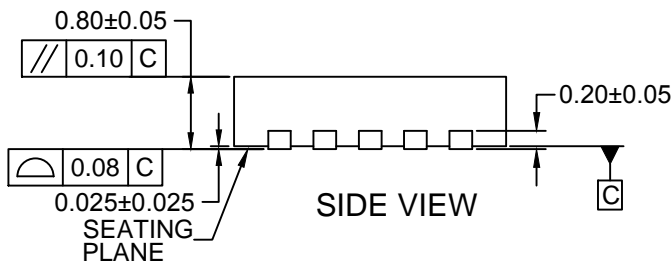


Figure 20. Total Harmonic Distortion



**RECOMMENDED LAND PATTERN**



**NOTES:**

- A. CONFORMS TO JEDEC REGISTRATION MO-241, VARIATION AA
- B. DIMENSIONS ARE IN MILLIMETERS.
- C. DIMENSIONS AND TOLERANCES PER ASME Y14.5M, 2009.
- D. LAND PATTERN RECOMMENDATION IS EXISTING INDUSTRY LAND PATTERN.
- E. DRAWING FILENAME: MKT-MLP14Arev2.



ON Semiconductor and  are trademarks of Semiconductor Components Industries, LLC dba ON Semiconductor or its subsidiaries in the United States and/or other countries. ON Semiconductor owns the rights to a number of patents, trademarks, copyrights, trade secrets, and other intellectual property. A listing of ON Semiconductor's product/patent coverage may be accessed at [www.onsemi.com/site/pdf/Patent-Marking.pdf](http://www.onsemi.com/site/pdf/Patent-Marking.pdf). ON Semiconductor reserves the right to make changes without further notice to any products herein. ON Semiconductor makes no warranty, representation or guarantee regarding the suitability of its products for any particular purpose, nor does ON Semiconductor assume any liability arising out of the application or use of any product or circuit, and specifically disclaims any and all liability, including without limitation special, consequential or incidental damages. Buyer is responsible for its products and applications using ON Semiconductor products, including compliance with all laws, regulations and safety requirements or standards, regardless of any support or applications information provided by ON Semiconductor. "Typical" parameters which may be provided in ON Semiconductor data sheets and/or specifications can and do vary in different applications and actual performance may vary over time. All operating parameters, including "Typicals" must be validated for each customer application by customer's technical experts. ON Semiconductor does not convey any license under its patent rights nor the rights of others. ON Semiconductor products are not designed, intended, or authorized for use as a critical component in life support systems or any FDA Class 3 medical devices or medical devices with a same or similar classification in a foreign jurisdiction or any devices intended for implantation in the human body. Should Buyer purchase or use ON Semiconductor products for any such unintended or unauthorized application, Buyer shall indemnify and hold ON Semiconductor and its officers, employees, subsidiaries, affiliates, and distributors harmless against all claims, costs, damages, and expenses, and reasonable attorney fees arising out of, directly or indirectly, any claim of personal injury or death associated with such unintended or unauthorized use, even if such claim alleges that ON Semiconductor was negligent regarding the design or manufacture of the part. ON Semiconductor is an Equal Opportunity/Affirmative Action Employer. This literature is subject to all applicable copyright laws and is not for resale in any manner.

## PUBLICATION ORDERING INFORMATION

### LITERATURE FULFILLMENT:

Literature Distribution Center for ON Semiconductor  
19521 E. 32nd Pkwy, Aurora, Colorado 80011 USA  
**Phone:** 303-675-2175 or 800-344-3860 Toll Free USA/Canada  
**Fax:** 303-675-2176 or 800-344-3867 Toll Free USA/Canada  
**Email:** [orderlit@onsemi.com](mailto:orderlit@onsemi.com)

**N. American Technical Support:** 800-282-9855 Toll Free  
USA/Canada  
**Europe, Middle East and Africa Technical Support:**  
Phone: 421 33 790 2910  
**Japan Customer Focus Center**  
Phone: 81-3-5817-1050

**ON Semiconductor Website:** [www.onsemi.com](http://www.onsemi.com)  
**Order Literature:** <http://www.onsemi.com/orderlit>

For additional information, please contact your local  
Sales Representative