

THIS DRAWING IS UNPUBLISHED.

RELEASED FOR PUBLICATION

ALL RIGHTS RESERVED.

LOC  
AD

DIST  
47

REVISIONS

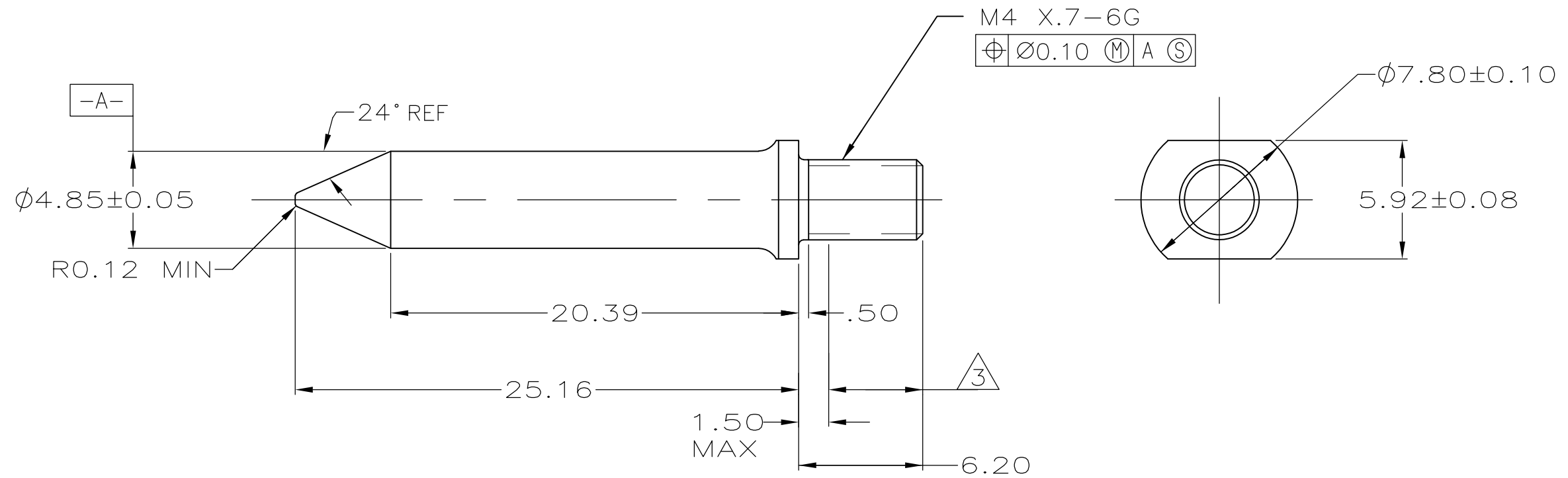
P	LTR	DESCRIPTION	DATE	DWN	APVD
	E3	REVISED PER ECR-15-012700	28AUG2015	ML	SZ

1 MATERIAL: STAINLESS STEEL.


2 FINISH: PASSIVATE.

3 LOCTITE DRI-LOC 204 APPLIED IN THIS AREA.

4. RECOMMENDED P.C. BOARD DRILLED HOLE DIAMETER IS 4.10±0.08mm IF APPLYING A NUT FROM THE REAR OF THE BOARD. IF USING WITH PEM NUT P/N KFS2-M4, DRILLED HOLE DIAMETER SHOULD BE 6.4±0.08mm.



223956-1  
PART NUMBER

THIS DRAWING IS A CONTROLLED DOCUMENT.		DWN R.BUCHHEISTER 25/JAN/95	 <b>TE Connectivity</b>														
DIMENSIONS: mm		CHK D.ZITSCH 25/JAN/95				NAME											
TOLERANCES UNLESS OTHERWISE SPECIFIED:		APVD D.SINISI 25/JAN/95				GUIDE PIN, UNIVERSAL POWER MODULE											
<table border="1"> <tr><td>0 PLC</td><td>± -</td></tr> <tr><td>1 PLC</td><td>± -</td></tr> <tr><td>2 PLC</td><td>± 0.13</td></tr> <tr><td>3 PLC</td><td>± -</td></tr> <tr><td>4 PLC</td><td>± -</td></tr> <tr><td>ANGLES</td><td>± 0° 30'</td></tr> </table>		0 PLC				± -	1 PLC	± -	2 PLC	± 0.13	3 PLC	± -	4 PLC	± -	ANGLES	± 0° 30'	PRODUCT SPEC
0 PLC	± -																
1 PLC	± -																
2 PLC	± 0.13																
3 PLC	± -																
4 PLC	± -																
ANGLES	± 0° 30'																
MATERIAL		APPLICATION SPEC	SIZE	CAGE CODE	DRAWING NO												
FINISH		WEIGHT	A3	00779	C-223956												
<table border="1"> <tr><td>1</td></tr> <tr><td>2</td></tr> <tr><td>3</td></tr> </table>		1	2	3	CUSTOMER DRAWING	SCALE	SHEET	REV									
1																	
2																	
3																	
			4:1	1 OF 1	E3												