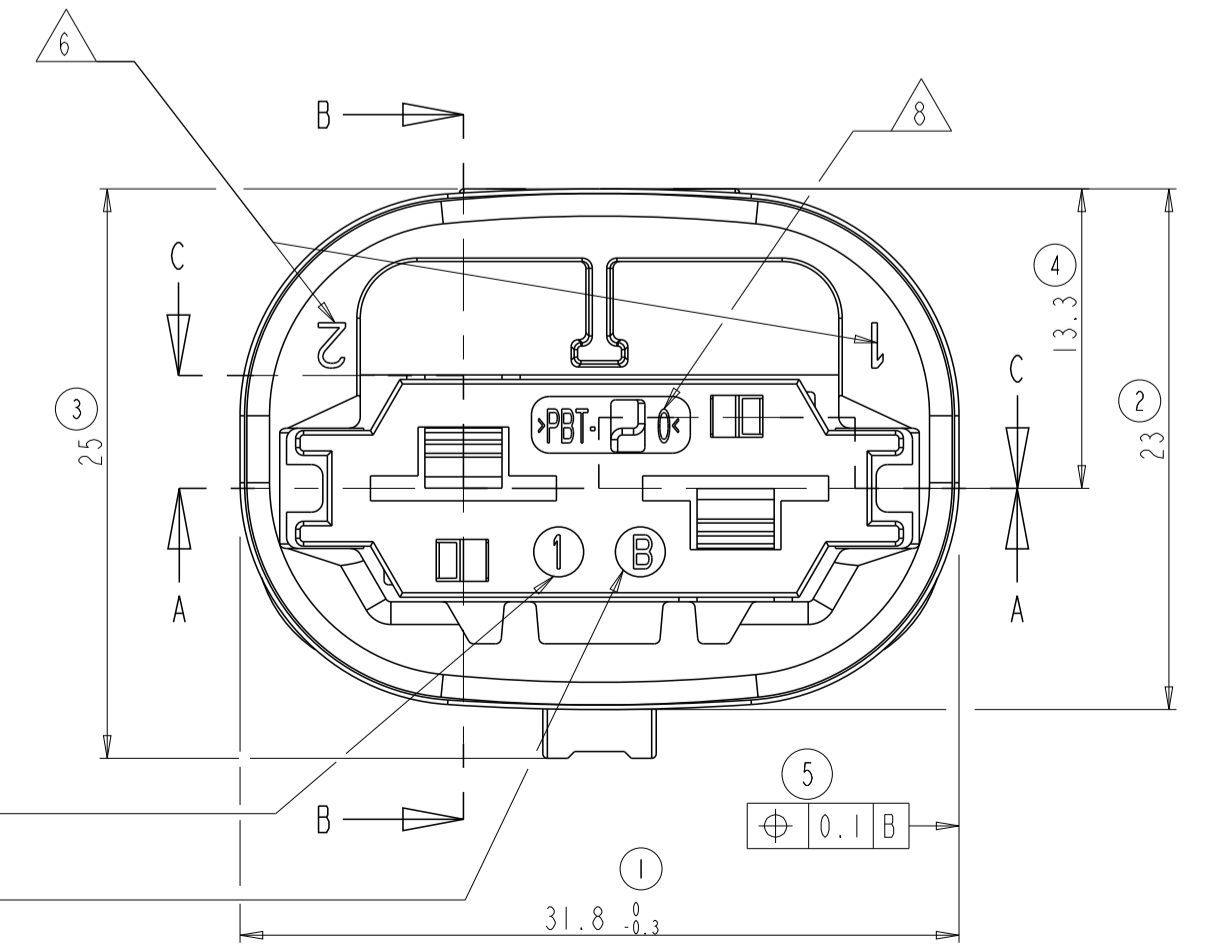
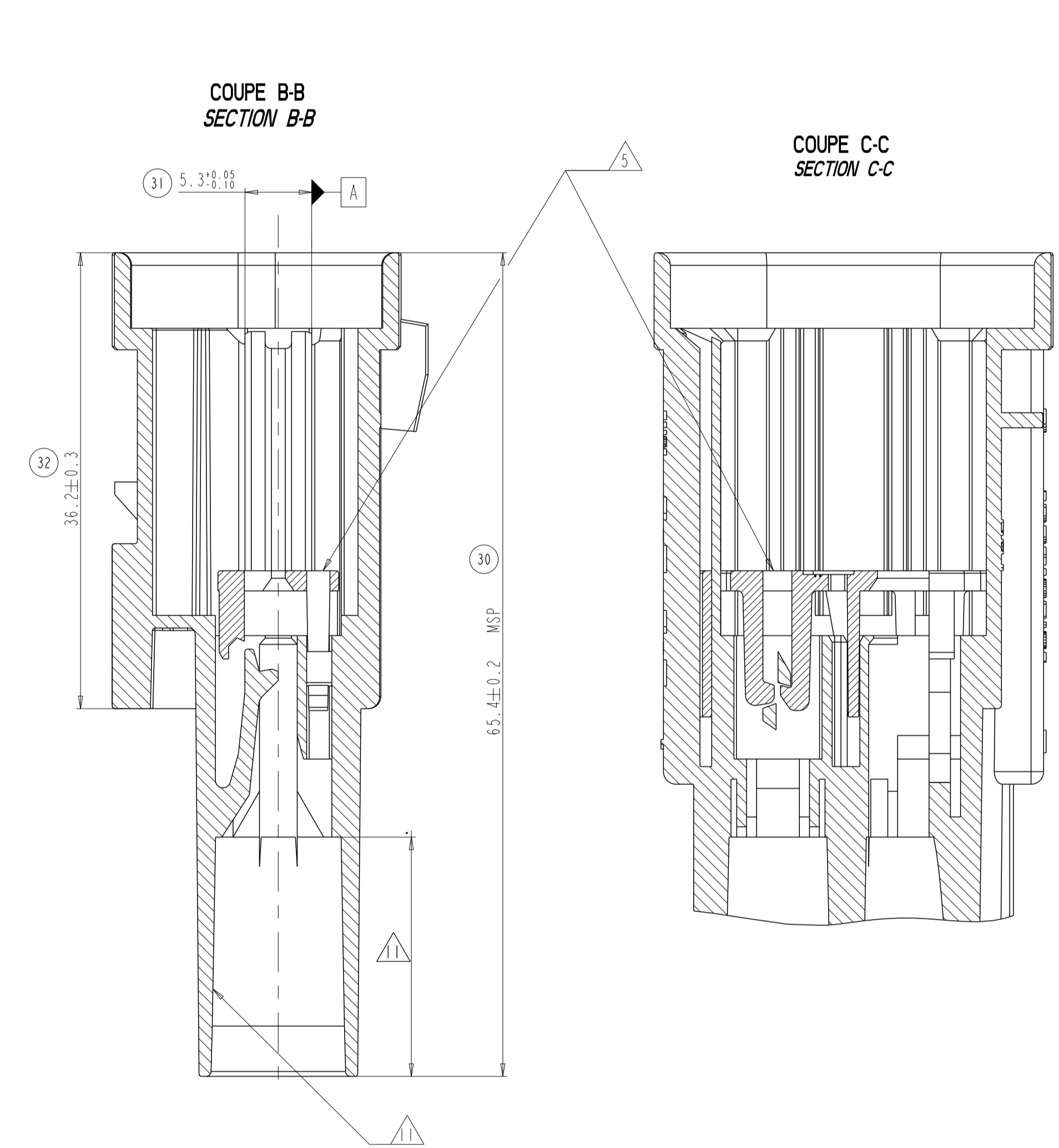
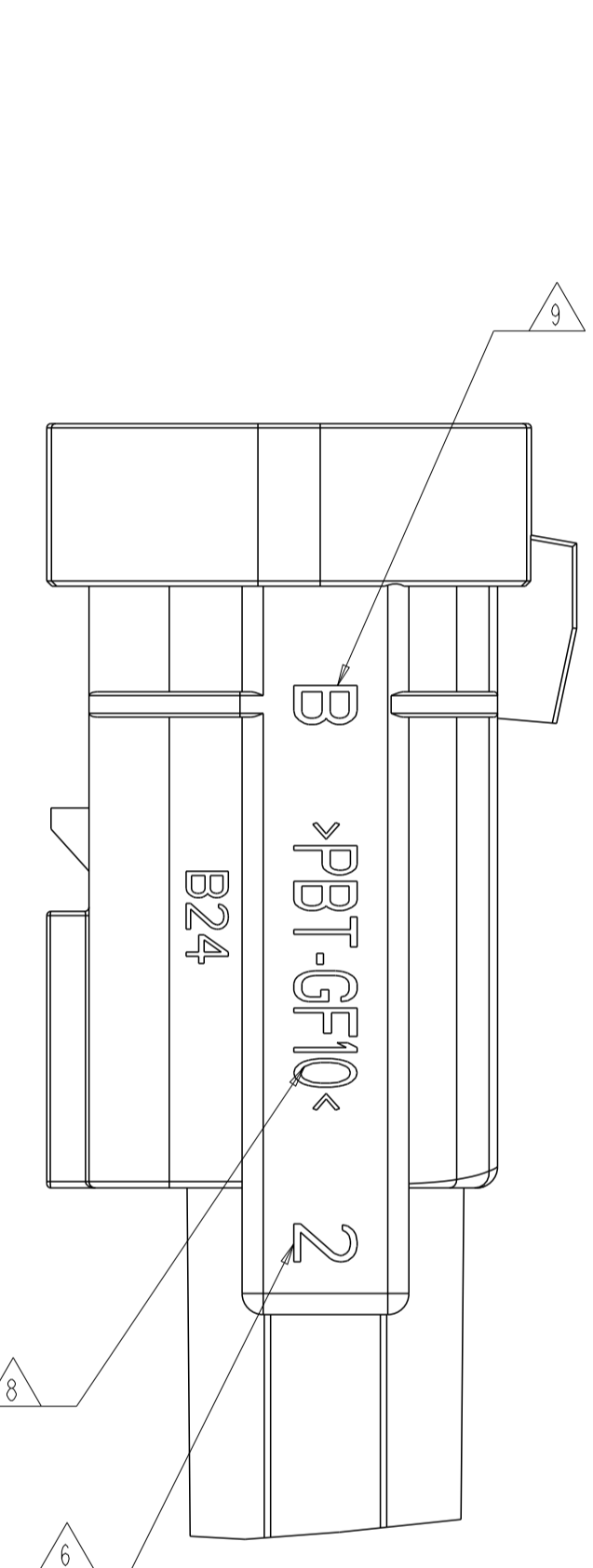
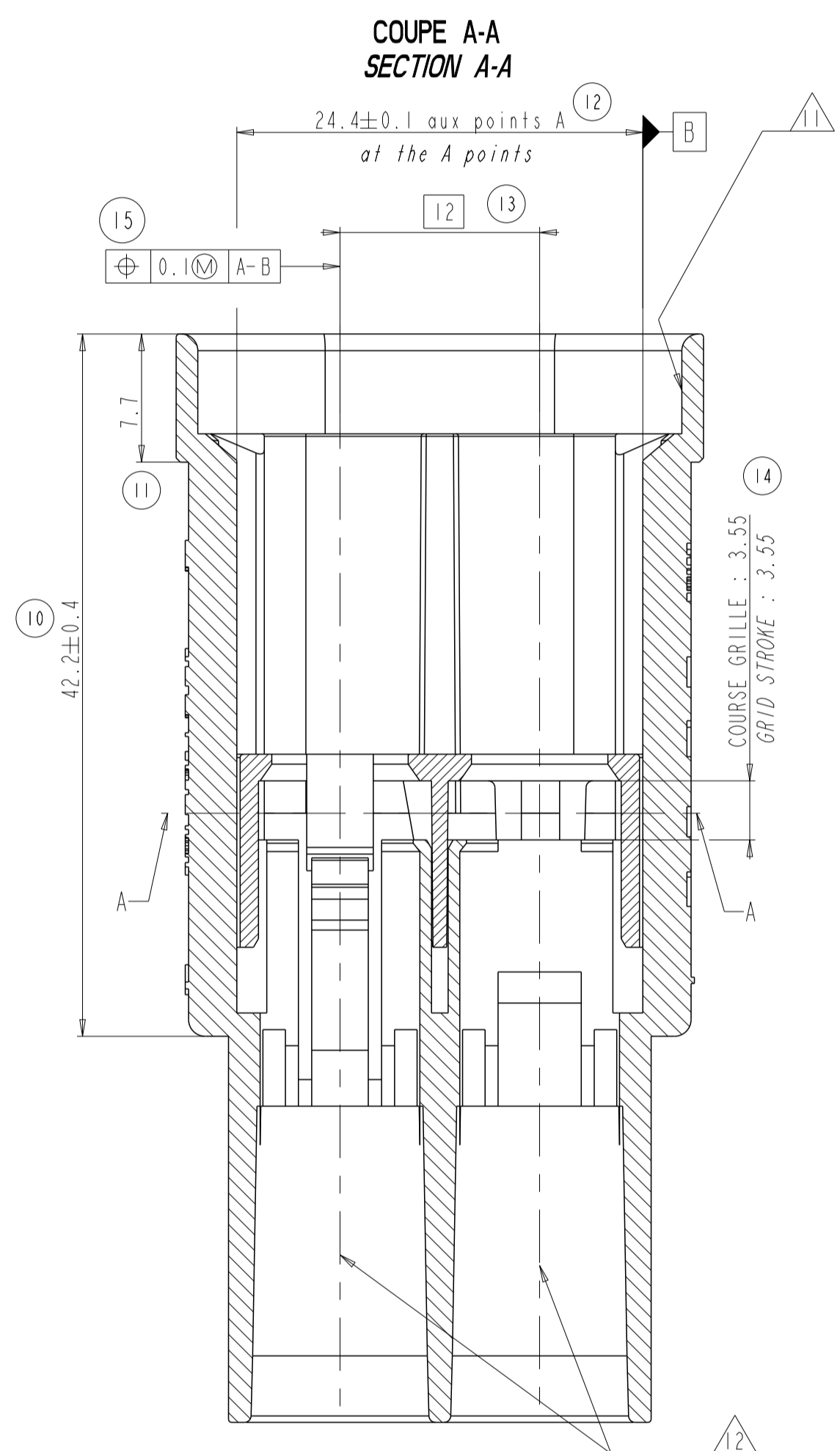
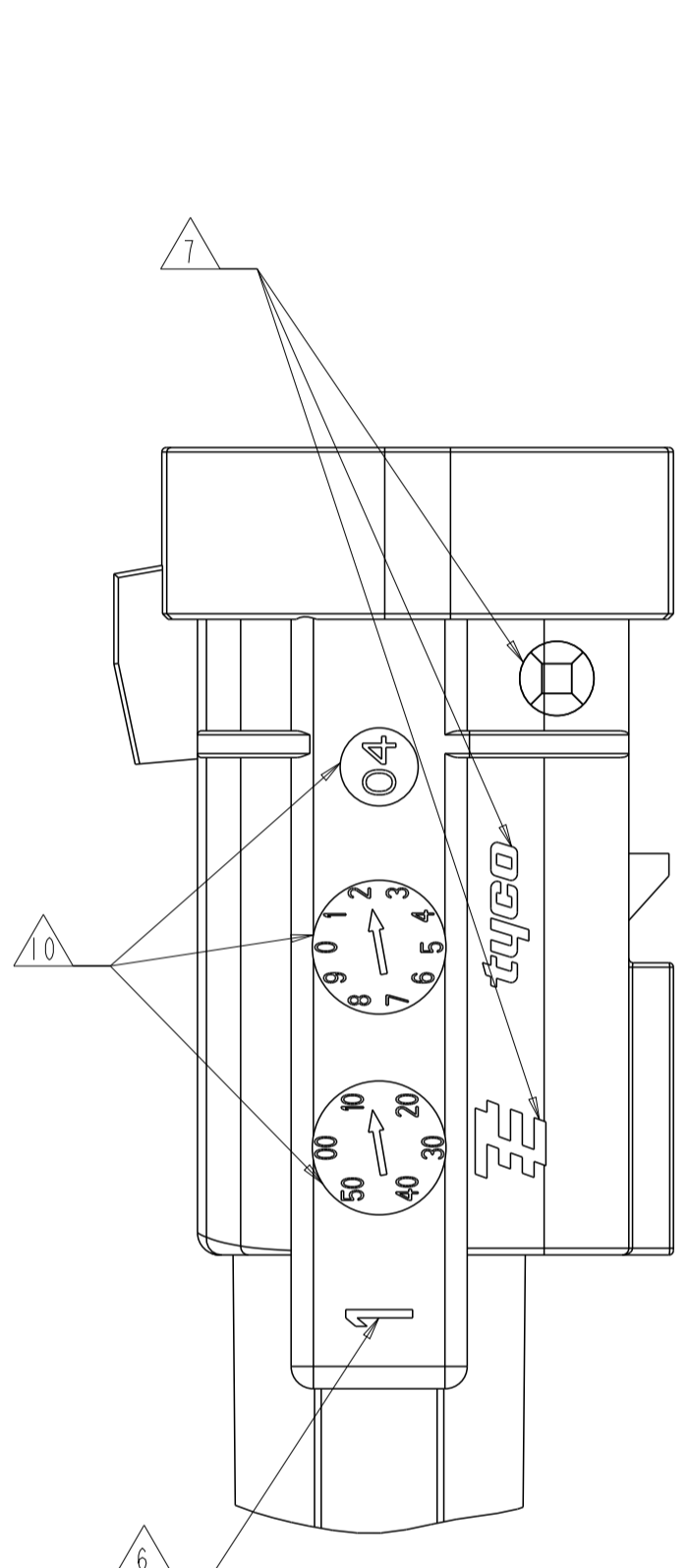


| REVISIONS | | | | | |
|-----------|-----|--|-----------|-----|------|
| P | LTN | DESCRIPTION MODIFICATIONS | DATE | OWN | APPR |
| C | | FIRST ISSUE - TE DRW BOARD | 29JUN2005 | PCS | JDr |
| D | | INTER BOX LOCKING DEVICE MODIFICATION | 21DEC2006 | PCS | JDr |
| E | | REFERENCE PRONER DELETED | 29NOV2010 | PCS | JDr |
| F | | TOLERANCE UPDATED FR DIM REF 10 AND 32 | 29MAY2018 | DB | XR |

ECHELLE 1000
 SCALE : 1000



| Rep | Qté | DESIGNATION Description | MATIERE Material | COULEUR Color |
|-----|-----|---|---------------------|---------------------------|
| B | 1 | GRILLE DE DETECTION (DV) Detection Grid (DV) | PBT GF-10 | JAUNE Yellow |
| A | 1 | PORTE-LANGUETTE Tab Housing | PBT GF-10 | VOIR TABLEAU See table |

REFERENCES TE ET CODAGES COULEURS ASSOCIES
TE PART NUMBERS AND ASSOCIATED CODING COLOR

| 1544334-1 | 1544334-2 | 1544334-3 |
|---------------------|--------------------|--------------------|
| | | |
| 7±0.1 (40) | 3.5±0.05 (41) | 3.5±0.05 (42) |
| NOIR / BLACK | BLEU / BLUE | GRIS / GREY |

NOTE / NOTA

| N° / Nr | DESIGNATION | DESCRIPTION |
|---------|--|---|
| 1 | DISPOSITIF D'ACCROCHAGE | INTER-BOX LOCKING DEVICE |
| 2 | DEPOUILLES GENERALES COMPRISES DANS LES TOLERANCES | GENERALE SLOPS IN TOLERANCES |
| 3 | REPERE No MOULE 3 ET + | MOLD No 3 AND +, MARKING |
| 4 | REPERE No EMPREINTE MOULE | MOLD CAVITY No MARKING |
| 5 | GRILLE DE DETECTION LIVREE PRE-MONTEE | DETECTION GRID PRE-MOUNTED DELIVERED |
| 6 | REPERS ALVEOLES | CAVITIES MARKING |
| 7 | LOGO FOURNISSEUR EN RELIEF DE 0.2mm - PRONER SUR MOULE No 1 - TE SUR MOULE No 2 - TE SUR MOULE No 3 ET + SUIVANT I.A. SPEC I-15995-1 | SUPPLIER LOGO RAISED, HEIGHT 0.2mm - PRONER ON MOLD No 1 - TE ON MOLD No 2 - TE ON MOLD No 3 AND + ACCORDING SPEC I-15995-1 |
| 8 | MARQUAGE MATIERE | MATERIAL DESIGNATION MARKING |
| 9 | INDICE MAJEUR DE MODIFICATION EN RELIEF DE 0.2mm | MAJOR MODIFICATION CODE RAISED, HEIGHT 0.2mm |
| 10 | 3 DATEURS : SEMAINES/ANNEES EN RELIEF DE 0.2mm | 3 DATE CODE : WEEK/YEAR, RAISED, HEIGHT 0.2mm |
| 11 | ZONE D'ETANCHEITE POLIE : SANS BAVURE, MARQUE OU MANQUE MATIERE | POLISHED SEAL LOCATION WITHOUT FLASH OR PLASTIC DEFORMATION |
| 12 | ALVEOLES PLAN TE N° : 1544995 PLAN PSA STE N° : 9641756399 | TE CAVITIES DRAWING N° : 1544995 PSA CAVITIES STE N° : 9641756399 |
| 13 | CDC CONNECTIQUE PSA : No 9629966099 | PSA SPECIFICATION : No 9629966099 |
| 14 | PLAN D'INTERFACE TE No 1544681 PSA STE No 9638276999 | INTERFACE DRAWING TE No 1544681 PSA STE No 9638276999 |
| 15 | CAHIER DE PRECONISATIONS : TE No 411-15697 PSA STE No 9641781799 | INSTRUCTION SHEET : TE No 411-15697 PSA STE No 9641781799 |

CARACTERISTIQUES MECANQUES PRINCIPALES
MAINES MECHANICAL SPECIFICATIONS

| VALEURS RESULTS | |
|--|------------------------|
| EFFORT D'INSERTION LANGUETTE / ALVEOLE (AVEC JOINT) : F < 35N TAB / CAVITY MATING FORCE (WITH SEAL) : F < 35N | 27 N MAXI 27 N MAXI |
| EFFORT DE FERMETURE DU DV : 20N<F<40N SECONDARY-LOCK CLOSING FORCE : 20N<F<40N | 39 N MAXI 39 N MAXI |
| EFFORT D'ACCROUPEMENT PC/PL : F < 80N REC HOUSING / TAB HOUSING CONNECTION FORCE : F < 80N | 73 N MAXI 73 N MAXI |

REFERENCES TE POUR CABLEURS
TE PART NUMBERS FOR WIRING MANUFACTURER

| COMPONENTS COMPONENTS | REFERENCES PART NUMBERS | MATIERE MATERIAL | COULEUR COLOR |
|---|----------------------------|---|------------------|
| Languelette / Tab 8mm NGI Section 3 à 6 mm ² Wire section 3 to 6 mm ² | 1544332-1 | Laiton pré-étamé Pre-finned brass | / |
| Languelette / Tab 8mm NGI Section 7 à 10 mm ² Wire section 7 to 10 mm ² | 1544333-1 | Laiton pré-étamé Pre-finned brass | / |
| Joint unifié à sertir Single wire seal Section 3 à 6 mm ² Wire section 3 to 6 mm ² | 1544316-1 | Silicone 50sh A autolubrifié Silicone 50sh A self-lubricated | VERT Green |
| Joint unifié à sertir Single wire seal Section 7 à 10 mm ² Wire section 7 to 10 mm ² | 1544316-2 | Silicone 50sh A autolubrifié Silicone 50sh A self-lubricated | ORANGE Orange |
| Bouchon Bundle | 1544316-3 | Silicone 50sh A non-lubrifié Silicone 50sh A no-lubricated | BLANC White |

THIS DRAWING IS A CONTROLLED DOCUMENT.
 CE PLAN EST UN DOCUMENT CONTROLÉ PAR AND INCORPORATED.
 ALL EDITIONS OF THIS DRAWING, INCLUDING REVISIONS, REMAIN THE PROPERTY OF AND MUST BE KEPT IN THE ORIGINAL FORM.

TE Connectivity

PORTE-LANGUETTES 2V 8mm NGI ETANCHE
 2 WAY SEALED 8mm NGI TAB HOUSING

1544334

00779

14 gr

1.4

3.00

1 OF 1

F