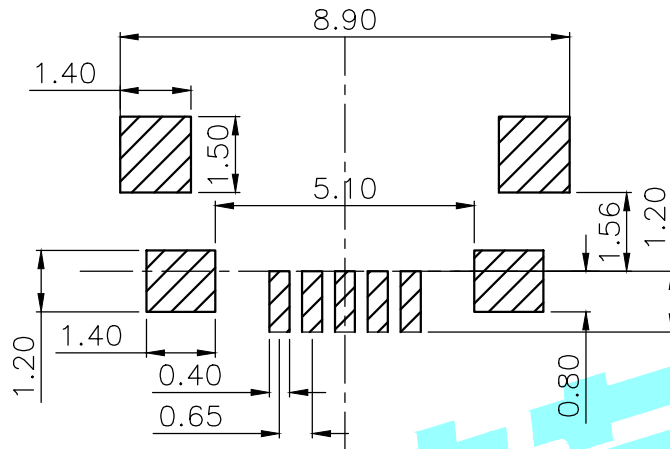
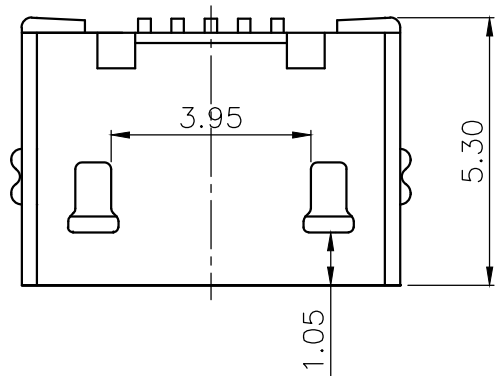
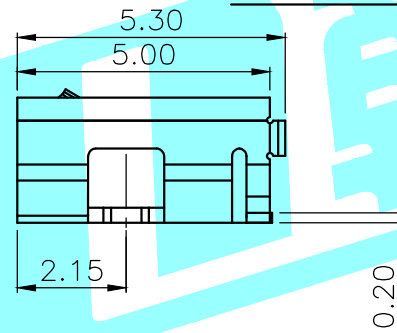
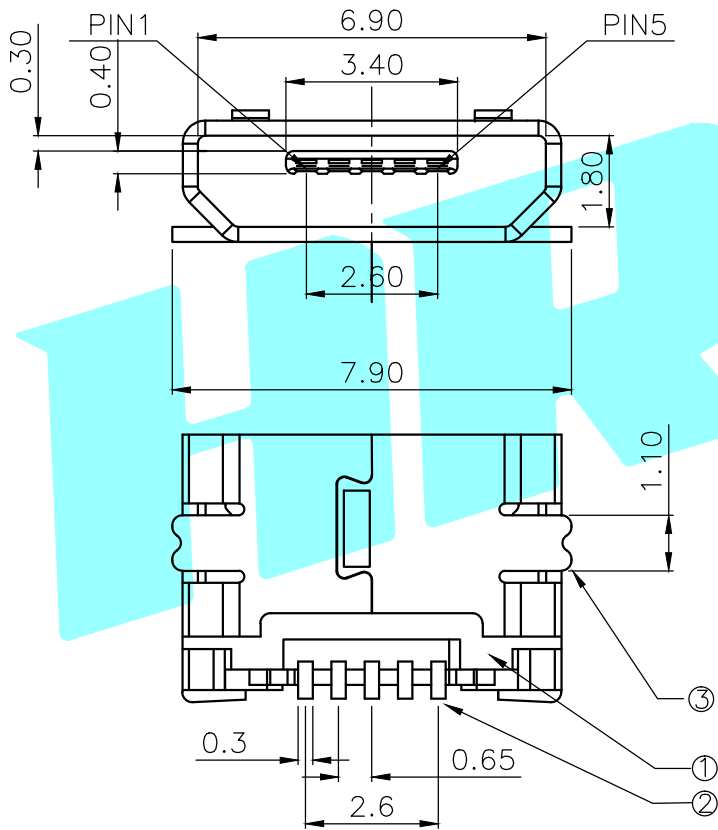


ROHS



Recommended PCB Layout



SPECIFICATIONS

- 1.RATING: DC30V 1.0A
- 2.MECHANICAL LIFE: 5,000 CYCLES.
- 3.PACKAGING: 1000PCS/REEL

③	Shell	—	1	Phosphor Bronze	Ag Plated	—
②	Contact	—	5	Phosphor Bronze	Au Plated	—
①	Housing	—	1	LCP	Black	—
ITEM	PART NAME	TER'NO.	QTY.	MATERIAL	FINISHING	REMARK

APPROVALS		DATE		 ELECTRONICS CO.,LTD		
DRAWN	JKUN.LU	2015/6/17				
CHECKED				TITLE:	USB CONNECTOR	
APPROVALS				PART NO.	U-F-M5SS-W-6	
TOLERANCES ARE			30~以上	±0.30	ANGLE	UNIT: mm
			10~30	±0.25		
			5~10	±0.20		
			~ 5	±0.15		
			±2'	DRAWING NO.		SCALE: 1:1
			PROJ:		SHEET 1 OF 1	

ECN NO.	REV.	DATE.	DESCRIPTION.	CHANGE.	CHECK.	APPRO.
	A		NEW			