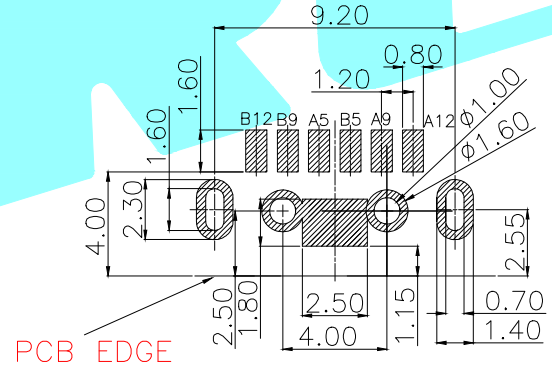
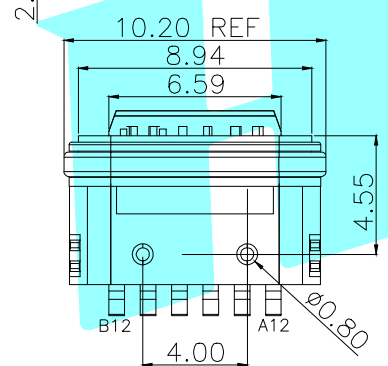
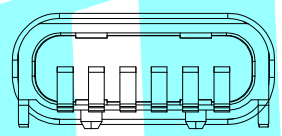
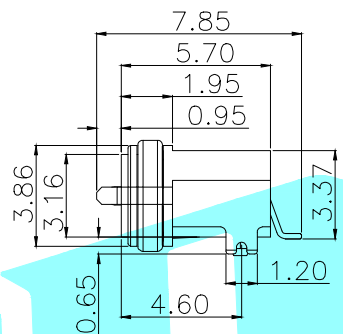
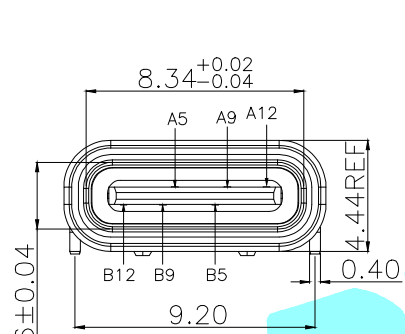


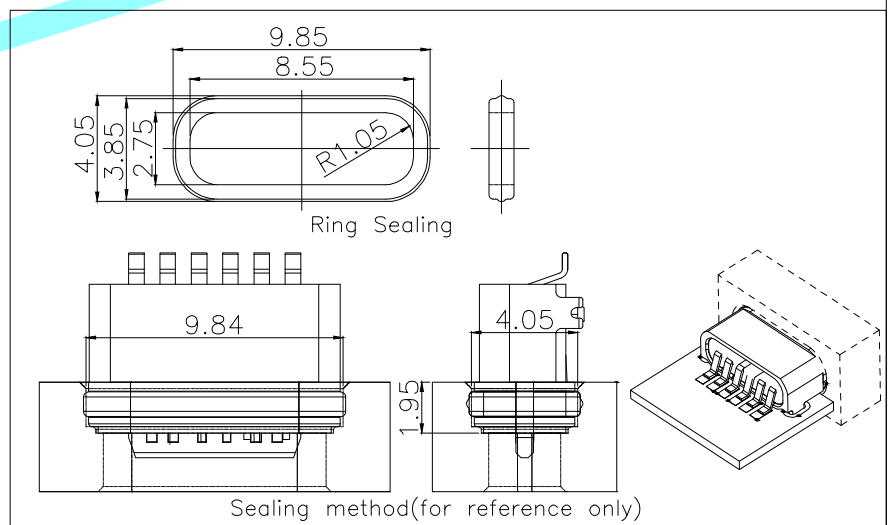
Note:

- 1.Material:
- 1.1 Housing: High temperature thermoplastic,Black UL 94V-0.
 - 1.2 Terminal:Copper Alloy,5u" Gold Plated At Contact Area, G/F Gold Plated At Soldered Area,Nickel Underplated Overall.
 - 1.3 Shell: Zinc Alloy,Nickel Plated.
 - 1.4 Ring: Silicon,65±10A.
- 2.Electrical:
- 2-1:Rated Voltage: 30V AC.
 - 2-2:Rated Current: 5.0A Max.
 - 2-3>Contact Resistance: 40mΩ Max.
 - 2-4:Insulation Resistance: 100MΩ Min.
 - 2-5:Dielectric Strength: 100V AC.
- 3:Mechanical Performance:
- 3-1:Insertion Force:5~20N
 - 3-2:Withdrawal Force:6~20N
 - 3-3:Durability: 10000 CYCLES
 - 3-4:Operating Temperature :-25°C~+80°C.
- 4: Waterproof: IP-X8.



PCB EDGE
PCB Layout(Pattern side)

A5	CC1	B12	GND
A9	VBUS	B9	VBUS
A12	GND	B5	CC2
PIN	SIGNAL NAME	PIN	SIGNAL NAME



Sealing method(for reference only)

APPROVALS		DATE				
DRAWN	LIUCAN	2021.6.30				
CHECKED			TITLE:	USB CONNECTOR		
APPROVALS			PART NO.	TYPE-C-31-E-07		
TOLERANCES ARE		30~以上 ±0.30	ANGLE	UNIT: mm	SCALE: 1:1	Proj:
		10~30 ±0.25				
		5~10 ±0.20				
		~ 5 ±0.15				

ECN NO.	REV.	DATE.	DESCRIPTION.	CHANGE.	CHECK.	APPRO.
	A		NEW			