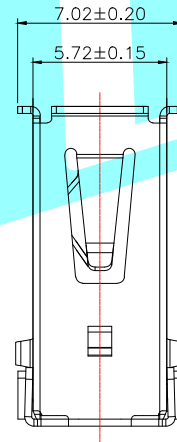
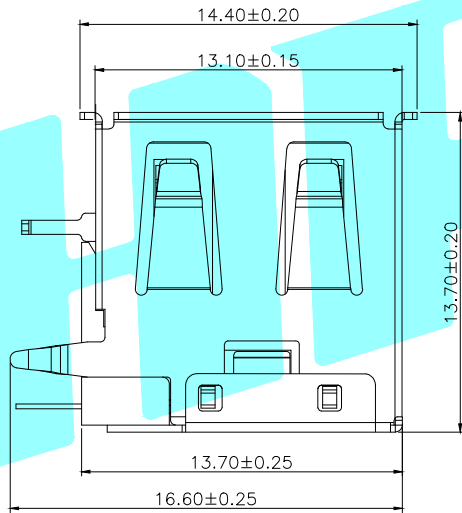


RECOMMENDED P.C.B. LAYOUT
TOLERANCE UNSPECIFIED ±0.05mm



1. Current Rating
1.5A/contact terminal
2. Voltage Rating
30V DC
3. Connector Mate and Unmate Force
Mate force:3.75kgf(MAX)
Unmate force:1.02kgf(MIN)

NO.1	
PART NO	NOTE
U-A-24D1-Y-7	black
U-A-24D2-Y-7	White

③	Base	—	1	PBT	White/black
②	Terminal	—	4	Phosphor Bronze	Ag Plated
①	Housing	—	1	SPCC/Phosphor Bronze	Ni Plated
ITEM	PART NAME	TER'NO.	QTY.	MATERIAL	FINISHING

APPROVALS		DATE	 ELECTRONICS CO.,LTD				
DRAWN	JIANKUN.LU	2020.05.08					
CHECKED			TITLE:	USB CONNECTOR			
APPROVALS			PART NO.				
TOLERANCES ARE	30~以上	±0.30	ANGLE	UNIT: mm	SCALE: 1:1		
	10~30	±0.25					
	5~10	±0.20					
	~ 5	±0.15	±2'	DRAWING NO.			
			PROJ:				
ECN NO.	REV.	DATE.	DESCRIPTION.	CHANGE.	CHECK.	APPRO.	SHEET 1 OF 1

_____	A	_____	NEW	_____	_____	_____
ECN NO.	REV.	DATE.	DESCRIPTION.	CHANGE.	CHECK.	APPRO.