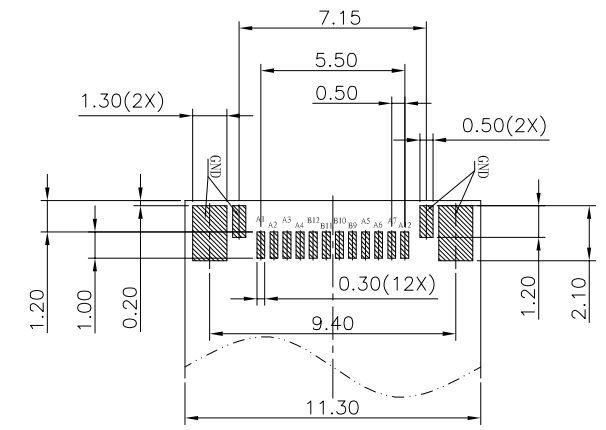
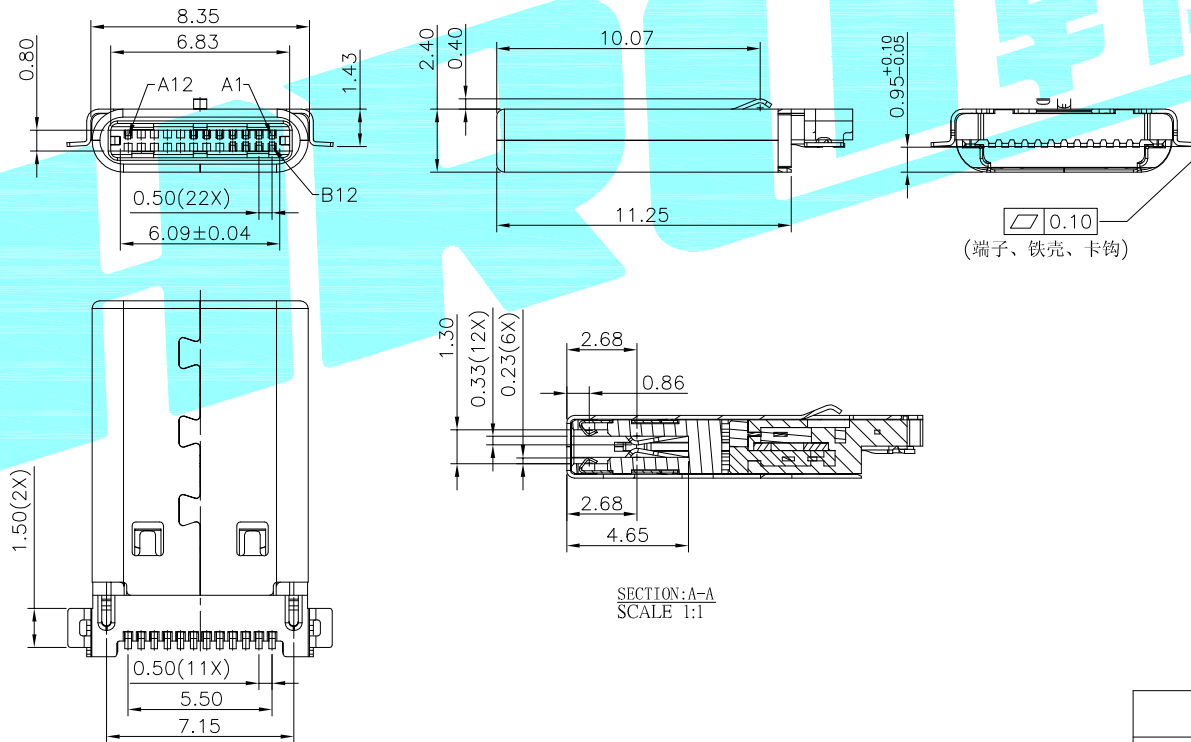


PIN NUMBER	SIGNAL NAME
A1	GND
A2	SSTXp1
A3	SSTXn1
A4	Vbus
A5	CC1
A6	Dp1
A7	Dn1
A8	
A9	
A10	
A11	
A12	GND

PIN NUMBER	SIGNAL NAME
B12	GND
B11	SSRXp1
B10	SSRXn1
B9	Vbus
B8	
B7	
B6	
B5	
B4	
B3	
B2	
B1	



RECOMMENDED PCB LAYOUT(TOP VIEW)

TOLERANCE: ±0.05

APPROVALS		DATE	HROE® ELECTRONICS CO.,LTD				
DRAWN	D.J.LV	2017/12/26	TITLE:	USB CONNECTOR			
CHECKED			PART NO.	TYPE-C-31-G-03			
APPROVALS			TOLERANCES ARE	30~以上 ±0.30	10~30 ±0.20	ANGLE	
				5~10 ±0.15	~ 5 ±0.10	UNIT: mm	
				±2'	DRAWING NO.	SCALE: 1:1	
ECN NO.	REV.	DATE.	DESCRIPTION.	CHANGE.	CHECK.	APPRO.	PROJ:

ECN NO.	REV.	DATE.	DESCRIPTION.	CHANGE.	CHECK.	APPRO.
	A		NEW			