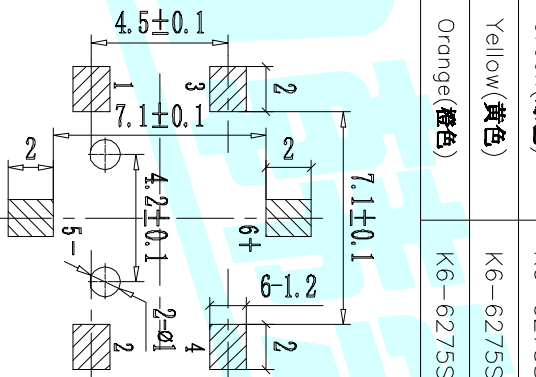
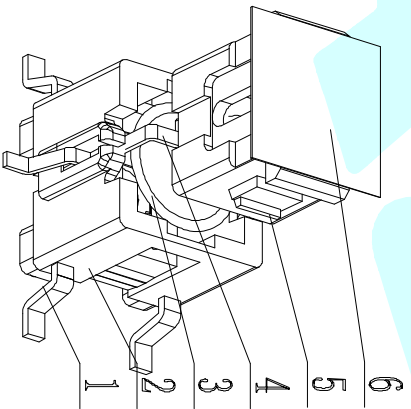
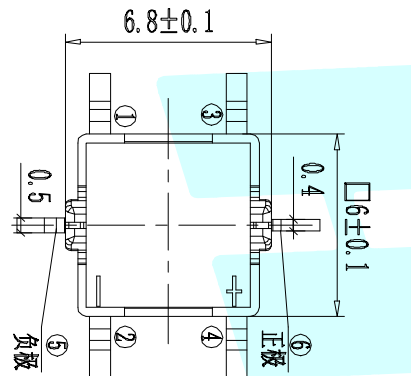
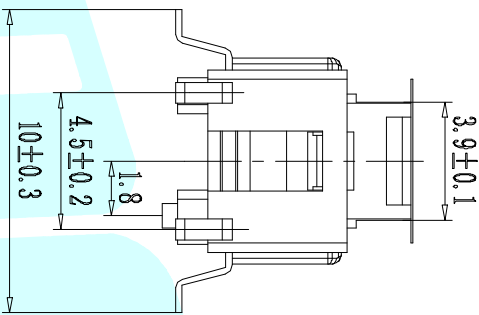
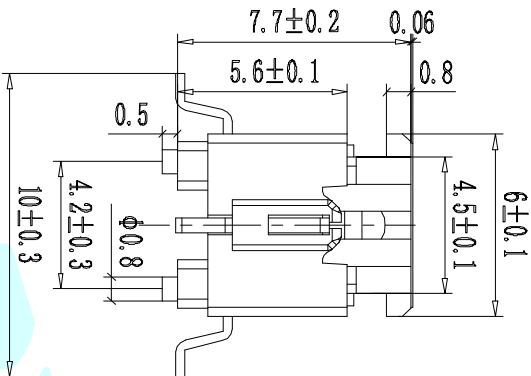
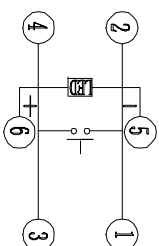
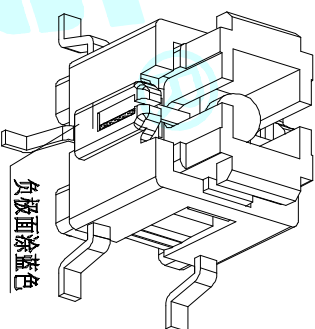


LED colour(LED颜色)	Part No. (料号)
Whiter(白色)	K6-6275S01
Red(红色)	K6-6275S02
Blue(蓝色)	K6-6275S03
Green(绿色)	K6-6275S04
Yellow(黄色)	K6-6275S05
Orange(橙色)	K6-6275S06



PCB layout(pattern Side)



Circuit Diagram

ITEM	PART NAME	TERNO.	QTY.	MATERIAL	FINISHING	REMARK
⑥	Cover	—	1	Silica gel	—	—
⑤	Keystroke	—	1	PA66	—	—
④	LED	—	1	—	—	—
③	Contact	—	1	F.Ag./SUS	—	—
②	Base	—	1	PA66	—	—
①	Terminal	—	4	Brass(0.30t)	—	—

APPROVALS		DATE
DRAWN	J.X.Zhong	2013/5/30
CHECKED	—	—
APPROVALS	—	—

TITLE:	PART NO.
LED TACT SWITCHS	K6-6275S

APPROVALS		DATE
DRAWN	J.X.Zhong	2013/5/30
CHECKED	—	—
APPROVALS	—	—

**HRP**  
ELECTRONICS CO.,LTD

SCALE: 1:1  
PROJ. SHEET 1 OF 1

ECN NO.	REV.	DATE.	DESCRIPTION.	CHANGE.	CHECK.	APPRO.
—	A	—	NEW	—	—	—
—	—	—	—	—	—	—

30~45°  
10~30  
5~10  
±0.30  
±0.20  
±0.15  
±0.10  
~5