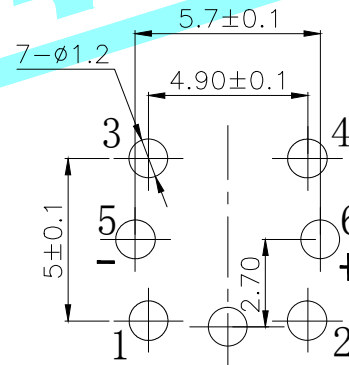
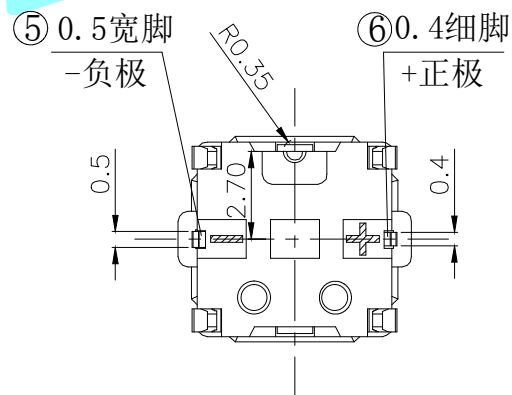
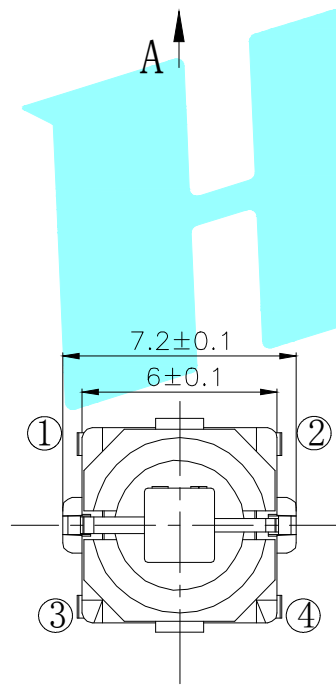
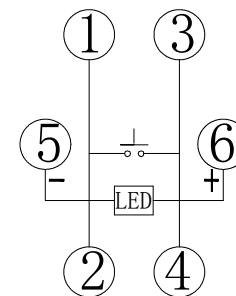


LED colour(LED颜色)	Part No. 料号
Whiler(白色)	K6-6270D01
Red(红色)	K6-6270D02
Blue(蓝色)	K6-6270D03
Green(绿色)	K6-6270D04
Yellow(黄色)	K6-6270D05
Orange(橙色)	K6-6270D06



PCBLayout(Pattern Side)



电原理图

②	Terminal	6	H62	Ag Plating		
①	Housing	1	PA66	Black		
ITEM	PART NAME	TER'NO.	QTY.	MATERIAL	FINISHING	REMARK

APPROVALS		DATE		 ELECTRONICS CO.,LTD		
DRAWN	J.X.Zhang	2013/11/11		TITLE:	LED Tact Switch	
CHECKED				PART NO.	K6-6270D	
APPROVALS				UNIT: mm	SCALE: 1:1	PROJ:
TOLERANCES ARE			30~以上	±0.30	ANGLE	DRAWING NO.
			10~30	±0.20		
			5~10	±0.15		
			~ 5	±0.10		
			±2'	SHEET 1 OF 1		

ECN NO.	REV.	DATE.	DESCRIPTION.	CHANGE.	CHECK.	APPRO.
	A		NEW			