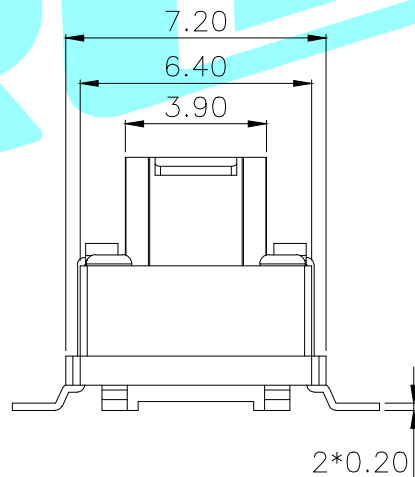
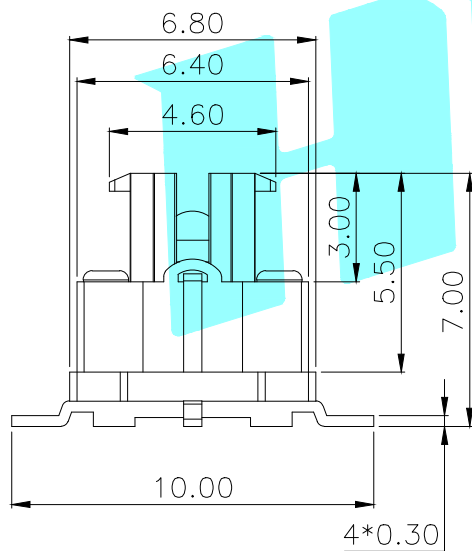


PCBLayout(Pattern Side)



LED colour(LED颜色)	Part No. 料号
Whiler(白色)	K6-6150S01
Red(红色)	K6-6150S02
Blue(蓝色)	K6-6150S03
Green(绿色)	K6-6150S04
Yellow(黄色)	K6-6150S05
Orange(橙色)	K6-6150S06

ITEM	PART NAME	TER'NO.	QTY.	MATERIAL	FINISHING	REMARK
②	Terminal	—	3	Phosphor bronze	Au Plating	—
①	Housing	—	1	Nylon	Black	—

APPROVALS		DATE		 ELECTRONICS CO.,LTD		
DRAWN	J.X.Zhang	2013/11/11				
CHECKED				TITLE: LED Tact Switch		
APPROVALS				PART NO. K6-6150S		
TOLERANCES ARE		30~以上	±0.30	ANGLE	UNIT: mm	SCALE: 1:1
		10~30	±0.20			
		5~10	±0.15			
		~ 5	±0.10			
				±2'	DRAWING NO.	
					PROJ:	

ECN NO.	REV.	DATE.	DESCRIPTION.	CHANGE.	CHECK.	APPRO.
—	A	—	NEW	—	—	—