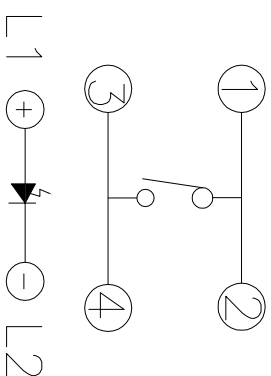
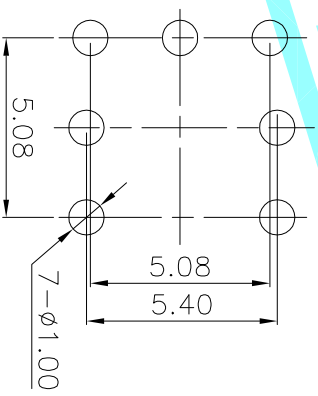


LED colour(LED颜色)	Part No. (料号)
Whiter(白色)	K6-6149D01
Red(红色)	K6-6149D02
Blue(蓝色)	K6-6149D03
Green(绿色)	K6-6149D04
Yellow(黄色)	K6-6149D05
Orange(橙色)	K6-6149D06



PCB layout(Pattern Side)

Circuit Diagram

② Terminal	3	Phosphor bronze	Au Plating
① Housing	1	Nylon	Black
ITEM PART NAME	TER.NO.	QTY.	MATERIAL FINISHING
APPROVALS	DATE	REMARK	
DRAWN J.X.Zhang	2013/11/11	ELECTRONICS CO.,LTD	
CHECKED	TITLE: LED Tact Switch	HROD	
APPROVALS	PART NO. K6-6149D	ELECTRONICS CO.,LTD	
TOLERANCES ARE	30~0.15 ±0.30	ANGLE	UNIT: mm
10~0.30 ±0.20	5~0.10 ±0.15	±2'	SCALE: 1:1
~5 ±0.10			PROJ: 10
			DRAWING NO.
			SHEET 1 OF 1

ECN NO.	REV.	DATE.	DESCRIPTION.	CHANGE.	CHECK.	APPRO.
	A		NEW			