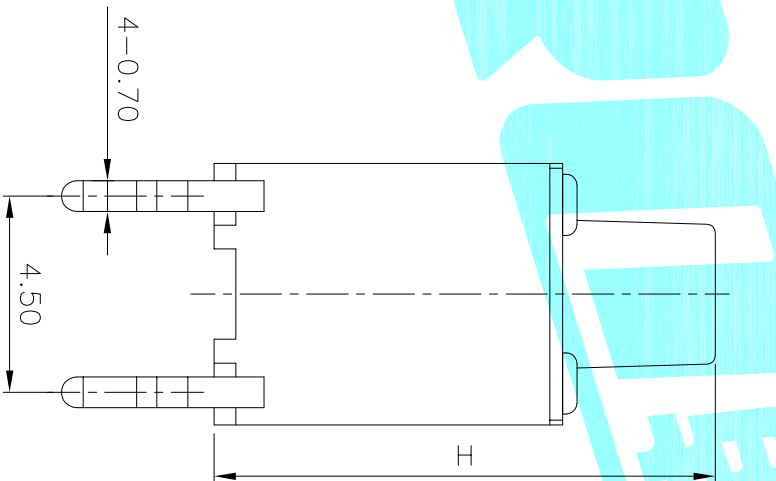
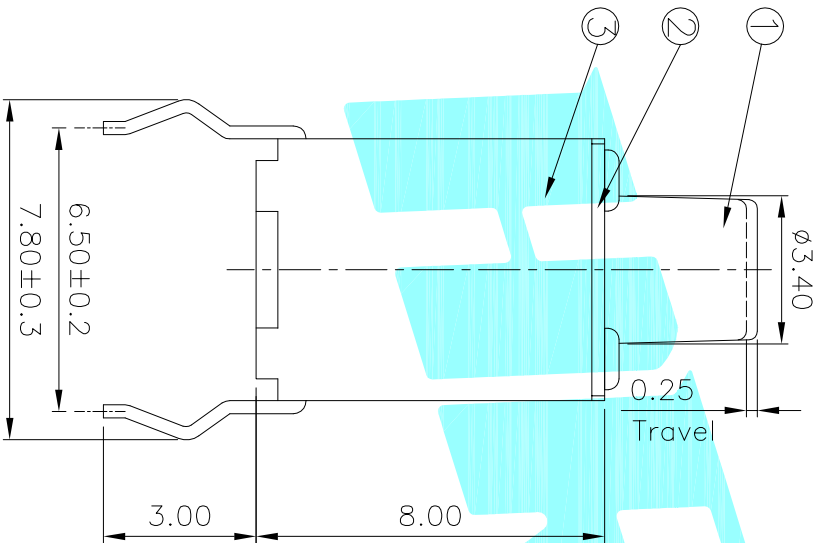


PCB Layout(Pattern side)

Circuit Diagram



NO.1	
PART NO	H
Q	12
S	13
U	14
V	15
W	16
X	17
1	15.5
3	17.5
6	20

NO.2	
PART NO	vigor
1	90±30
2	130±30
3	180±30
4	250±30
5	350±50

NO.3	
PART NO	MATERIAL/QTY
S	SUS/1PC
C	C5210/1PC
D	SUS/2PCS
F	C5210/2PCS

NO.4-NO.5	
PART NO	NOTE
01~99	SERIAL NUMBER

ITEM	PART NAME	TER'NO.	QTY.	MATERIAL	FINISHING	REMARK
⑤	Terminal	—	4	Brass(0.30t)	Plating silver	—
④	Contact	—	1	F.Ag/SUS	—	—
③	Base	—	1	Nylon	Black	—
②	Cover	—	1	Brass	Plating Nickel	—
①	Keystroke	—	1	Nylon	Black	—

APPROVALS		DATE	TITLE:
DRAWN	J.X.Zhong	2013/5/30	TACT SWITCHS
CHECKED			
APPROVALS			

APPROVALS		PART NO.	SCALE:	PROJ.
TOLERANCES ARE	30~80 μ m ±0.30 10~30 ±0.20 5~10 ±0.15 ~5 ±0.10	K2-6645DP-000W-00	1:1	PROJ. 1 OF 1
CHECKED				
APPROVALS				

ECN NO.	REV.	DATE.	DESCRIPTION.	CHANGE.	CHECK.	APPRO.
	A		NEW			



ELECTRONICS CO.,LTD

TACT SWITCHS

PART NO. K2-6645DP-000W-00

SCALE: 1:1

DRAWING NO. SHEET 1 OF 1