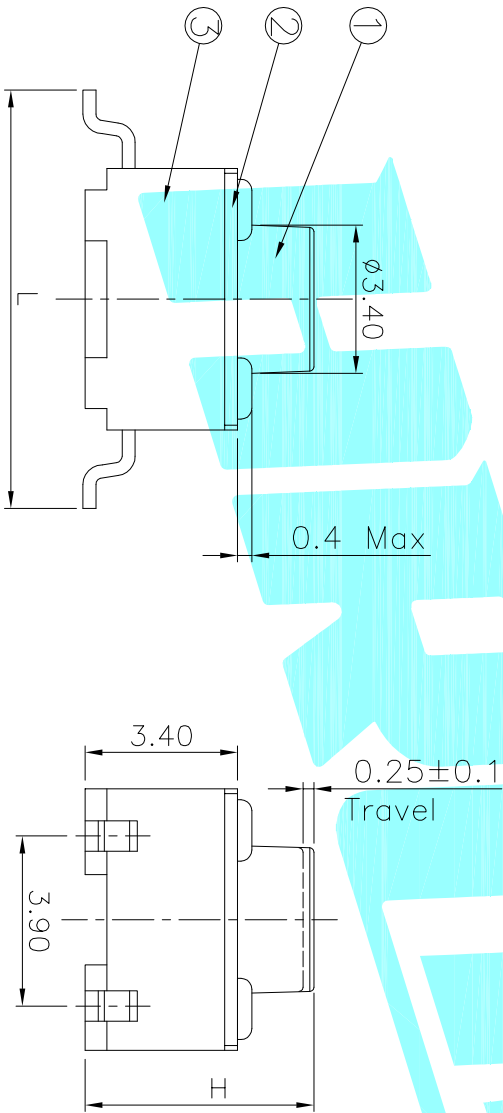


PCB Layout (Pattern side)



Typical Specifications  
 1. Rating : DC 12V 50mA  
 2. Life : 1,000,000 Cycles

NO.2	
PART NO	vigor
1	90±30
2	130±30
3	180±30
4	250±30
5	350±50

NO.3	
PART NO	MATERIAL/QTY
S	SUS/1PC
C	C5210/1PC
D	SUS/2PCS
F	C5210/2PCS

NO.4	
PART NO	L
A	8
B	8.5
C	9
D	9.5
E	10

NO.5-NO.6	
PART NO	NOTE
01~99	SERIAL NUMBER

NO.1			
PART NO	H	PART NO	H
A	4.3	O	11
B	4.5	P	11.5
C	5	Q	12
D	5.5	R	12.5
E	6	S	13
F	6.5	T	13.5
G	7	U	14
H	7.5	V	15
I	8	W	16
J	8.5	X	17
K	9	Y	18
L	9.5	Z	19
M	10		15.5
N	10.5		16.5

ITEM	PART NAME	TER'NO.	QTY.	MATERIAL	FINISHING	REMARK
⑤	Terminal	—	4	Brass(0.30t)	Plating silver	
④	Contact	—	1	F.Ag/SUS	—	
③	Base	—	1	PA46	Black	
②	Cover	—	1	SPCC	Plating Nickel	
①	Keystroke	—	1	PA46	Black	

APPROVALS		DATE	TITLE:
DRAWN	J.X.Zhong	2013/5/30	TACT SWITCHS
CHECKED			

APPROVALS		PART NO.	SCALE:	PROJ.
TOLERANCES ARE	30~0.1± 10~0.30 5~0.10 ~5	±0.30 ±0.20 ±0.15 ±0.10	ANGLE ±2°	UNIT: mm
				DRAWING NO.
				SHEET 1 OF 1

ECN NO.	REV.	DATE.	DESCRIPTION.	CHANGE.	CHECK.	APPRO.
	A		NEW			



ELECTRONICS CO.,LTD