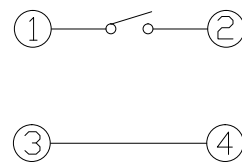
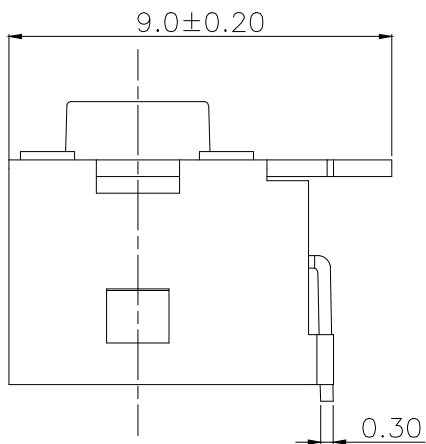
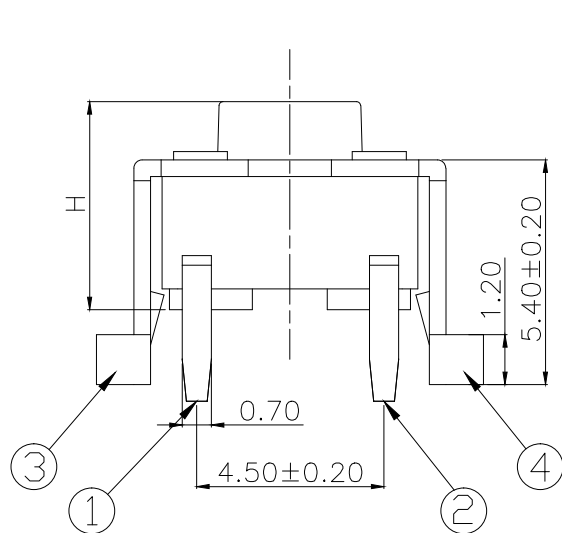
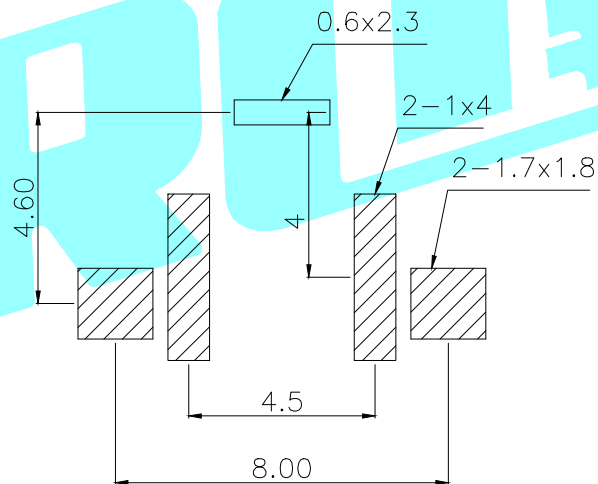
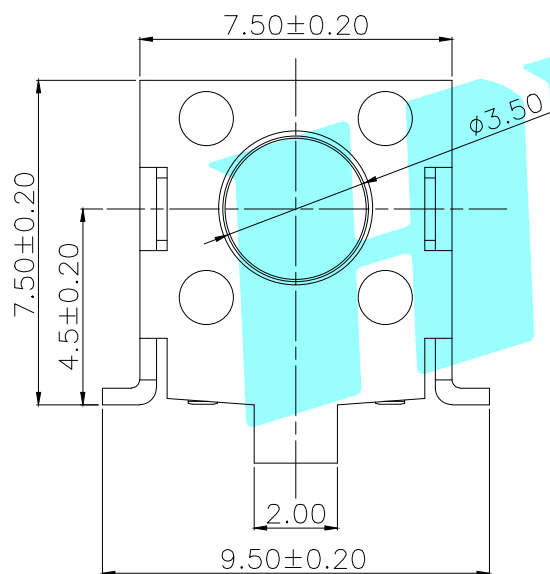
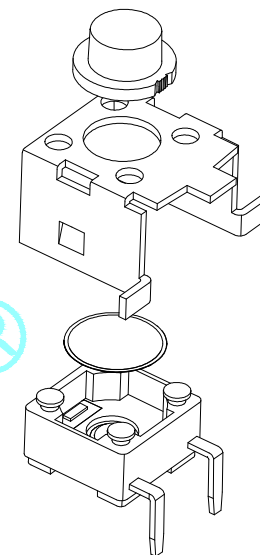


ROHS



Circuit diagram



PCB Layout(Pattern Side)

NO.1	
PART NO	H
A	4.3
B	4.5
C	5
D	5.5
E	6
F	6.5
G	7
H	7.5
I	8

NO.2	
PART NO	vigor
2	130±30
3	180±30
4	250±50

NO.3	
PART NO	MATERIAL/QTY
S	SUS/1PC
C	C5210/1PC
D	SUS/2PCS
F	C5210/2PCS

NO.4-NO.5	
PART NO	NOTE
01~99	SERIAL NUMBER

⑤	Terminal	—	2	Brass(0.30t)	Plating silver	—
④	Base	—	1	PPA	Black	—
③	Contact	—	1	F.Ag/SUS	—	—
②	Cover	—	1	SPCC	—	—
①	Keystoke	—	1	PPA	Black	—
ITEM	PART NAME	TER'NO.	QTY.	MATERIAL	FINISHING	REMARK

APPROVALS		DATE	HRO 韓榮® ELECTRONICS CO.,LTD			
DRAWN	LIUCAN	2021.4.7	TITLE:	TACT SWITCHS		
CHECKED			PART NO.	K2-1102HQ-□□□W-□□		
APPROVALS			UNIT: mm	SCALE: 1:1	PROJ:	④
TOLERANCES ARE	30~以上 ±0.30	10~30 ±0.20	ANGLE	DRAWING NO.		SHEET 1 OF 1
	5~10 ±0.15	~ 5 ±0.10	±2'			

ECN NO.	REV	DATE.	DESCRIPTION.	CHANGE.	CHECK.	APPRO.
	A		NEW			