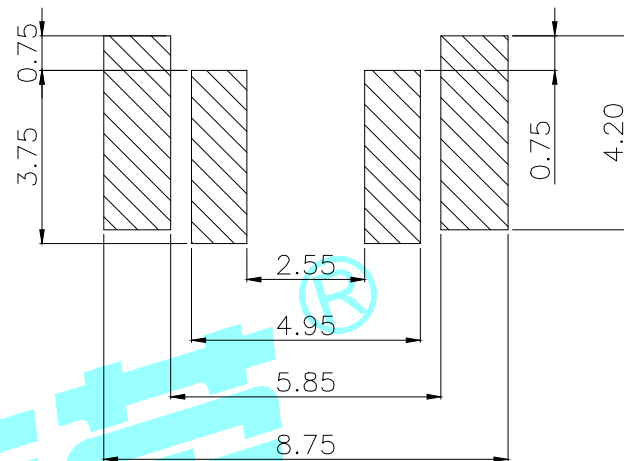
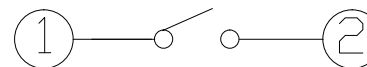
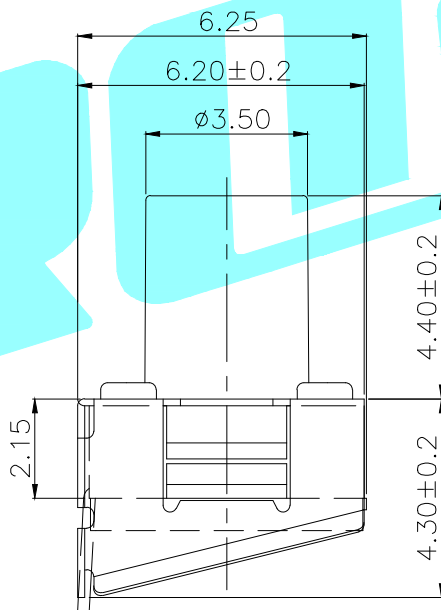
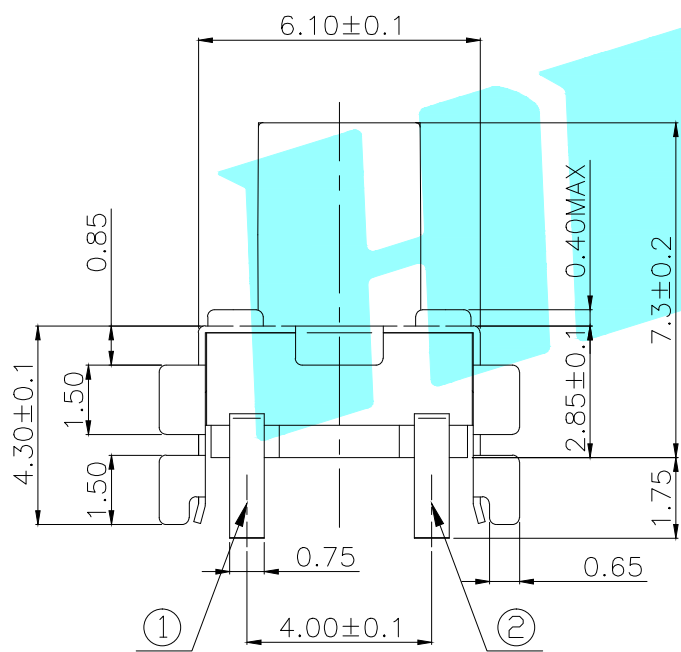


Typical Specifications :
 1. Rating : DC 12V 50mA
 2. Life:300,000 Cycles Min.



PCB Layout(Pattern Side)



Circuit diagram

NO.2	
PART NO	vigor
3	180±30
4	250±30

NO.3	
PART NO	MATERIAL/QTY
S	SUS/1PC

NO.4-NO.5	
PART NO	NOTE
01~99	SERIAL NUMBER

⑤	Terminal	—	2	Brass(0.30t)	Plating silver	—
④	Base	—	1	PPA	Black	—
③	Contact	—	1	F.Ag/SUS	—	—
②	Cover	—	1	SPCC	—	—
①	Keystoke	—	1	PPA	White	—
ITEM	PART NAME	TER'NO.	QTY.	MATERIAL	FINISHING	REMARK

APPROVALS		DATE		ELECTRONICS CO.,LTD TITLE: TACT SWITCHS		
DRAWN	JKUN.LU	2019/8/1				
CHECKED				PART NO. K2-1102HD-H□SW-□□		
APPROVALS				UNIT: mm SCALE: 1:1 PROJ:		
TOLERANCES ARE		30~以上	±0.30	ANGLE	DRAWING NO.	SHEET 1 OF 1
		10~30	±0.20			
		5~10	±0.15			
		~ 5	±0.10			

_____	A	_____	NEW	_____	_____	_____
ECN NO.	REV	DATE.	DESCRIPTION.	CHANGE.	CHECK.	APPRO.