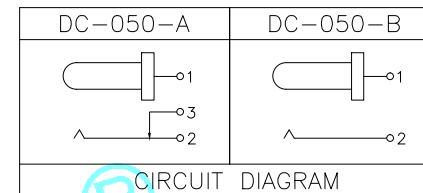
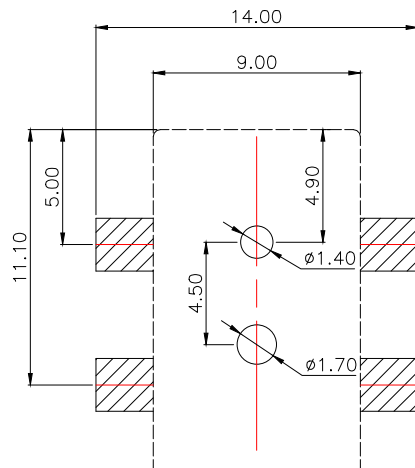
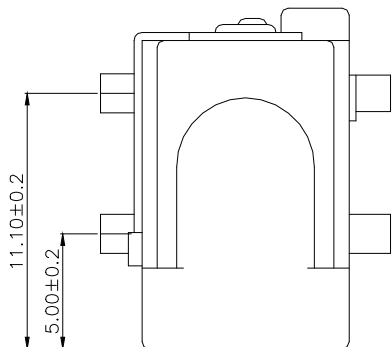
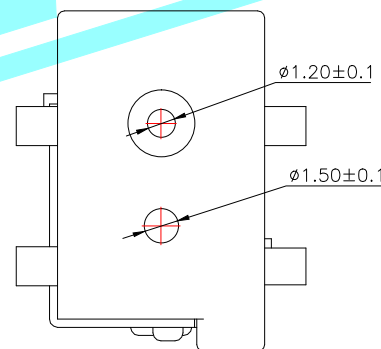
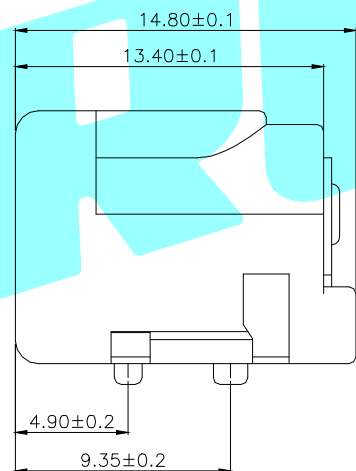
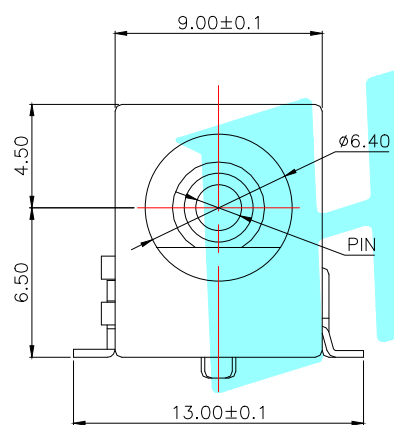


ROHS



Model No.	1	2
PIN	∅2.0	∅2.5

P.C.B LAYOUT(Top view)



Rating:0.5A 30V DC  
 Contact Resistance: 30 mΩ Max.  
 Operating temperature:-20℃~70℃  
 Operating force:3-20N  
 Operating Life:5,000cycles

②	Terminal	—	4	Brass	Ag Plating	—
①	Housing	—	1	PPA	Black	—
ITEM	PART NAME	TER'NO.	QTY.	MATERIAL	FINISHING	REMARK

APPROVALS		DATE		 ELECTRONICS CO.,LTD		
DRAWN	LIUCAN	2021.5.29				
CHECKED				TITLE: PHONE JACKS		
APPROVALS				PART NO. DC-050		
TOLERANCES ARE		30~以上	±0.30	ANGLE	UNIT: mm	SCALE: 1:1
		10~30	±0.20			
		5~10	±0.15			
		~ 5	±0.10			
				±2'	DRAWING NO.	
				PROJ:		
				SHEET 1 OF 1		

—	A	—	NEW	—	—	—
ECN NO.	REV.	DATE.	DESCRIPTION.	CHANGE.	CHECK.	APPRO.