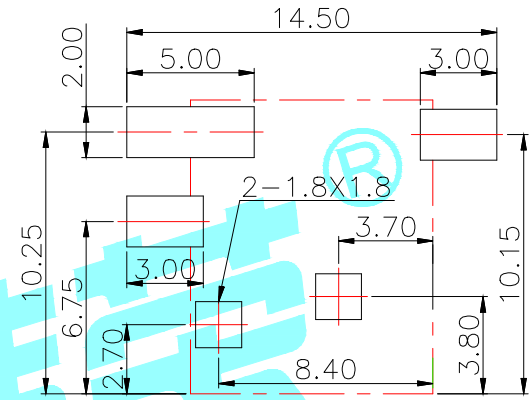
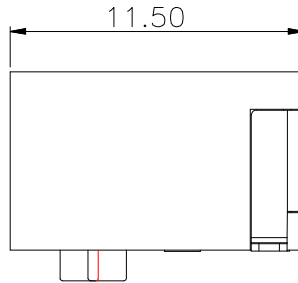
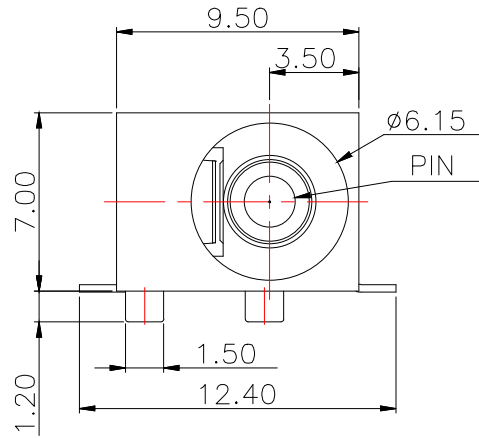
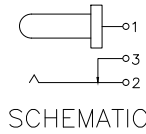
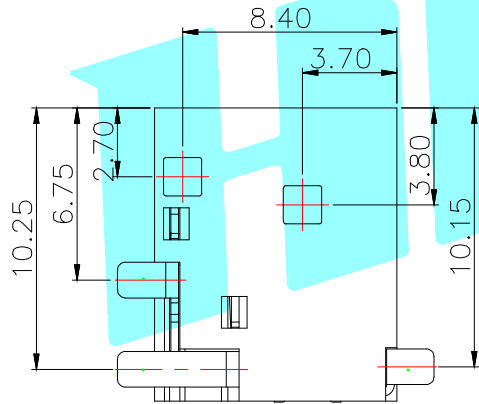


ROHS



PCB HOLES(TOP VIEW)
GENERAL TOLERANCE:±0.1mm



Model No.	DC-044S-20A	DC-044S-25A
PIN	φ2.0	φ2.5

Rating:0.5A 30V DC
Contact Resistance: 30 mΩ Max.
Operating temperature:-30℃~70℃
Operating force:3-30N
Operating Life:5,000cycles

②	Terminal	—	3	Brass	Ag Plating	—
①	Housing	—	1	PPA	Black	—
ITEM	PART NAME	TER'NO.	QTY.	MATERIAL	FINISHING	REMARK
APPROVALS			DATE	 ELECTRONICS CO.,LTD		
DRAWN	LIUCAN	2021.5.28				
CHECKED			TITLE: PHONE JACKES			
APPROVALS			PART NO.			
TOLERANCES ARE	30~以上	±0.30	ANGLE	UNIT: mm	SCALE: 1:1	PROJ:
	10~30	±0.20				
	5~10	±0.15	±2'	DRAWING NO.		SHEET 1 OF 1
	~ 5	±0.10				

ECN NO.	REV.	DATE.	DESCRIPTION.	CHANGE.	CHECK.	APPRO.
	A		NEW			