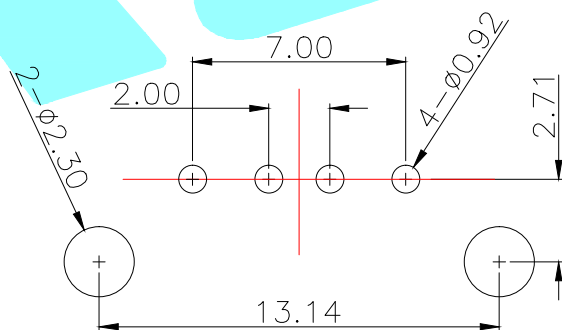
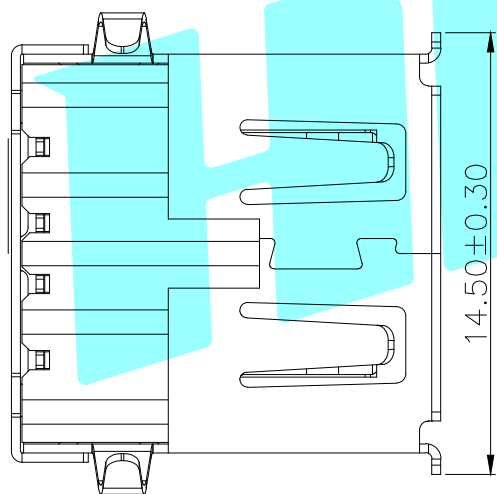
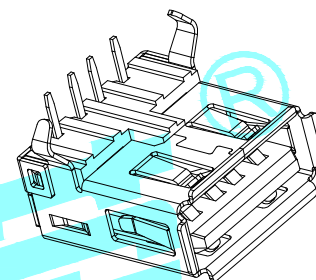
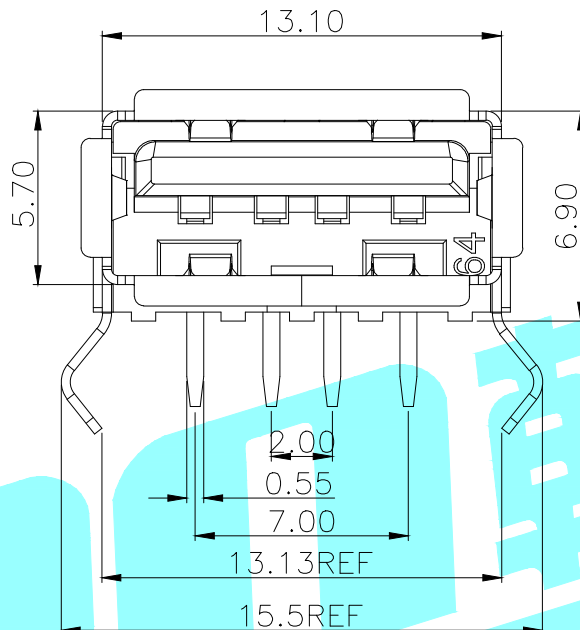
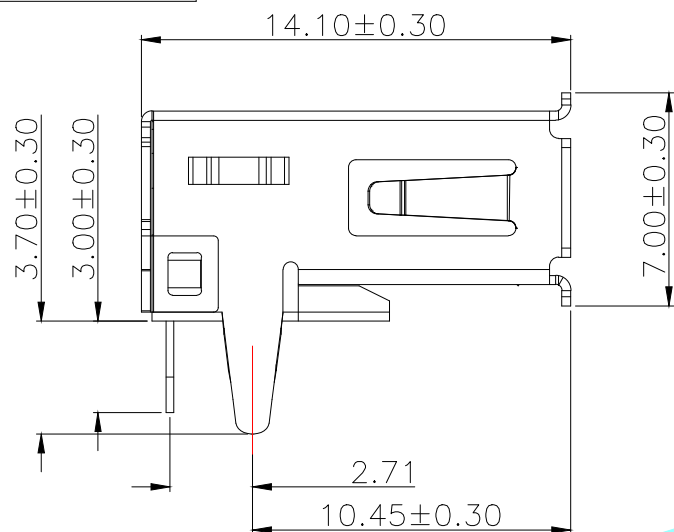


ROHS



Recommended PCB Layout

Specifications

Electrical:

- Contact Resistance: 30 milliohms MAX
- Dielectric Withstanding Voltage: 500 V AC AT Sea Level
- Insulation Resistance: 1000 MEGA ohms MIN

Material

1. Base: PBT UL 94V-0 White
2. Terminal: Contact Copper Alloy C2680H
3. Shell: Copper Alloy or Spcc

Finish

1. Terminal: Contact Au Plated G/F  
Terminal Sn Plated
2. Shell: Ni Plated

APPROVALS		DATE		 ELECTRONICS CO.,LTD													
DRAWN	xu qi feng	2014/11/17					TITLE:	USB CONNECTOR									
CHECKED				PART NO.	U-A-24DD-Y-5												
APPROVALS				TOLERANCES ARE	<table border="1"> <tr> <td>30~以上</td> <td>±0.30</td> </tr> <tr> <td>10~30</td> <td>±0.25</td> </tr> <tr> <td>5~10</td> <td>±0.20</td> </tr> <tr> <td>~ 5</td> <td>±0.15</td> </tr> </table>	30~以上	±0.30	10~30	±0.25	5~10	±0.20	~ 5	±0.15	ANGLE	UNIT: mm	SCALE: 1:1	PROJ:
30~以上	±0.30																
10~30	±0.25																
5~10	±0.20																
~ 5	±0.15																
ECN NO.	REV.	DATE.	DESCRIPTION.	CHANGE.	CHECK.	APPRO.	DRAWING NO.		SHEET 1 OF 1								

_____	A	_____	NEW	_____	_____	_____
ECN NO.	REV.	DATE.	DESCRIPTION.	CHANGE.	CHECK.	APPRO.