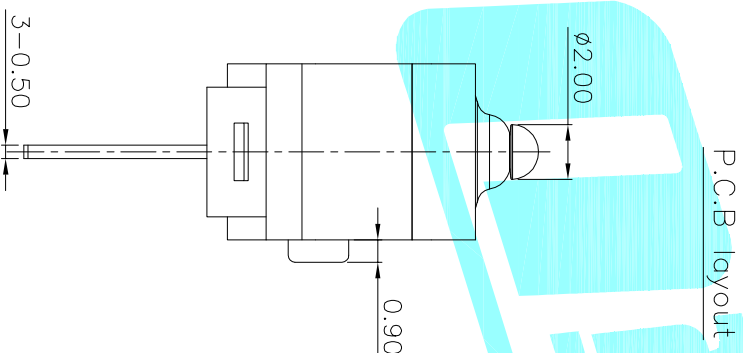
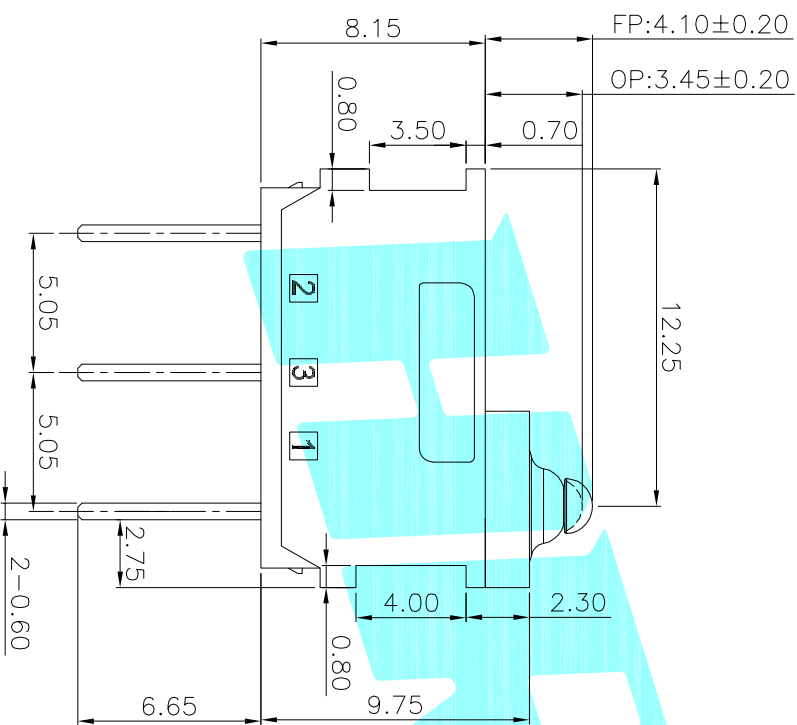
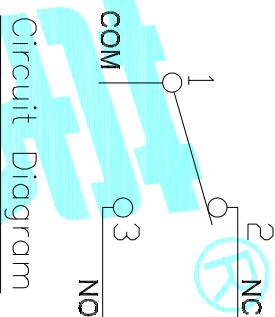
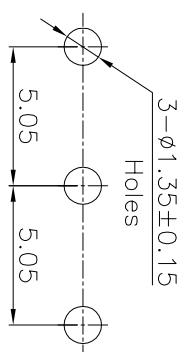
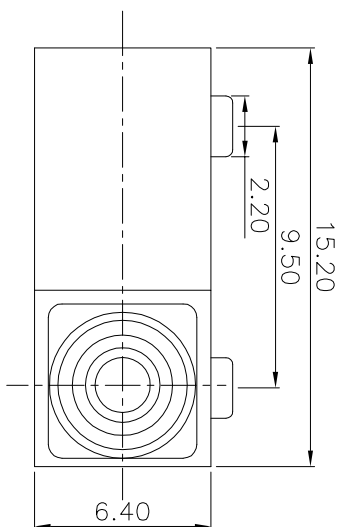


INGRESS PROTECTION:IP67



- NOTE:
1. Rating1:DC12V 3A  
Rating2:48V DC/125V AC/250V AC 0.1A
  2. Operating froce:130gf MAX
  3. Electric Life:10,000
  4. Mechanical Life:1,000,000

⑦	Shrapnel	1	Brass	Plating silver	
⑥	Contact	1	Ag		
⑤	Sealed Circle	1	Silicone Rubber		
④	Terminal	3	Brass(0.50t)	Plating silver	
③	Plunger	1	POM	Black	
②	Cose	1	PA	Black	
①	Cover	1	PA	Black	

APPROVALS	DATE	TITLE	PART NO.	SCALE	PROJ.
DRAWN J.X.Zhang	2018/8/1	ELECTRONICS CO.,LTD	K9-1802B	1:1	PROD.

CHECKED		TITLE	PART NO.	SCALE	PROJ.
APPROVALS		MICRO SWITCHS	K9-1802B	1:1	PROD.

ECN NO.	REV.	DATE.	DESCRIPTION.	CHANGE.	CHECK.	APPRO.	TOLERANCES ARE	30~R/L	±0.30	ANGLE	UNIT: mm	SCALE: 1:1	PROJ.	SHEET 1 OF 1
	A		NEW				10~30	±0.20		±2'	mm	1:1	PROD.	