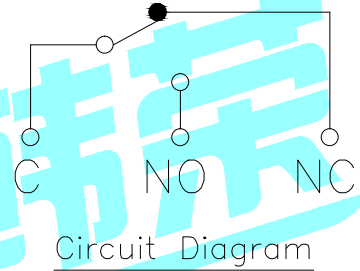
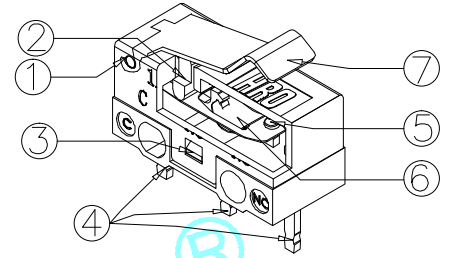
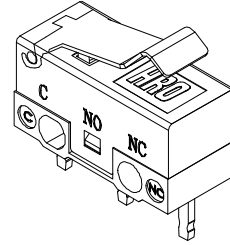
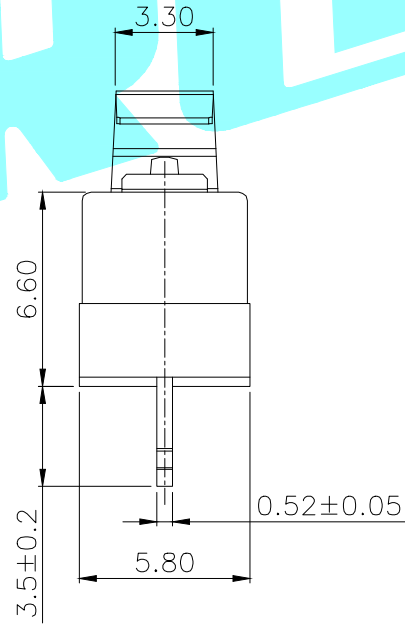
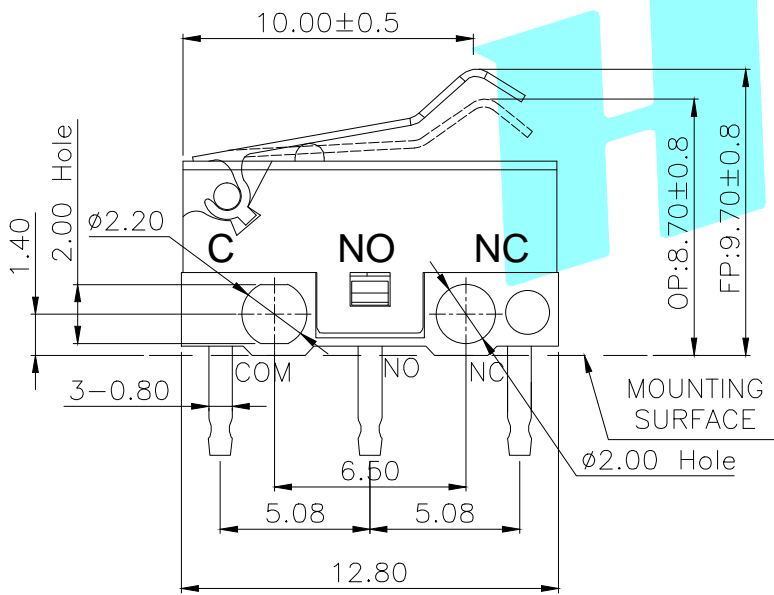


P.C.B layout



Circuit Diagram



- NOTE:
- 1.Rating:DC30V 0.1A
  - 2.OP:8.70±0.8
  - 3.Operating froce:30±15gf
  - 4.Mechanical Life:3,000,000

ITEM	PART NAME	TER'NO.	QTY.	MATERIAL	FINISHING	REMARK
⑦	Lever	—	1	Stainless Steel	—	—
⑥	Shrapnel	—	1	Beryllium Copper	—	—
⑤	Contact	—	1	Ag	—	—
④	Terminal	—	3	Brass(0.52t)	Plating silver	—
③	Housing	—	1	PBT	White	—
②	Knob	—	1	PBT	White	—
①	Cover	—	1	PBT	Black	—

APPROVALS		DATE		 ELECTRONICS CO.,LTD			
DRAWN	JIANKUN.LU	2015.4.8					
CHECKED				TITLE: MICRO SWITCHS			
APPROVALS				PART NO. K9-1267L			
TOLERANCES ARE		30~以上	±0.30	ANGLE	UNIT: mm	SCALE: 1:1	
		10~30	±0.20				
		5~10	±0.15	±2'	DRAWING NO.	PROJ:	
		~ 5	±0.10				
ECN NO.	REV. A	DATE.	DESCRIPTION.	CHANGE.	CHECK.	APPRO.	SHEET 1 OF 1

ECN NO.	REV. A	DATE.	DESCRIPTION.	CHANGE.	CHECK.	APPRO.
---------	--------	-------	--------------	---------	--------	--------