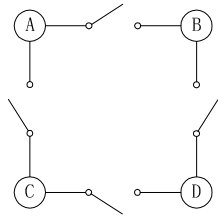
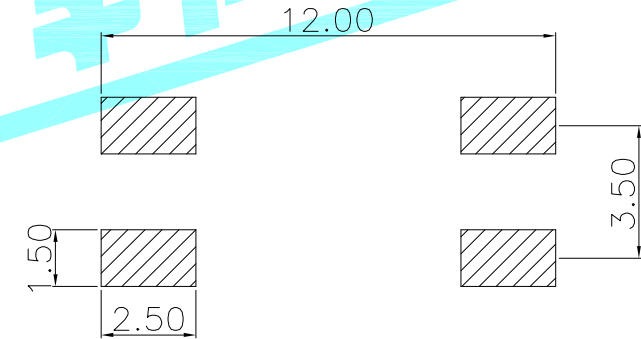
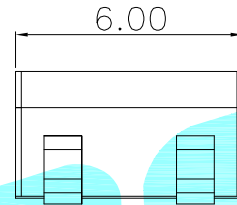
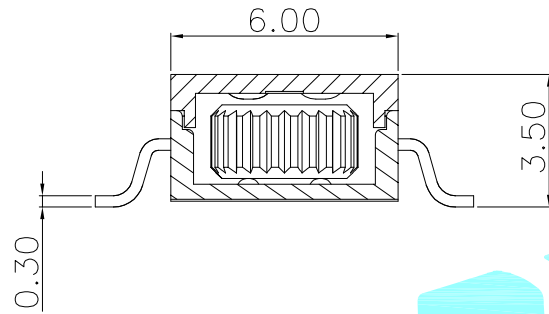
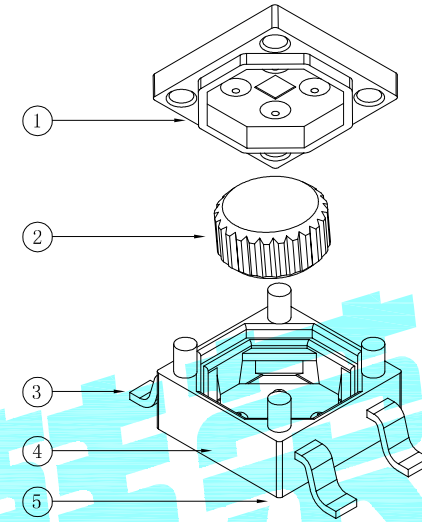
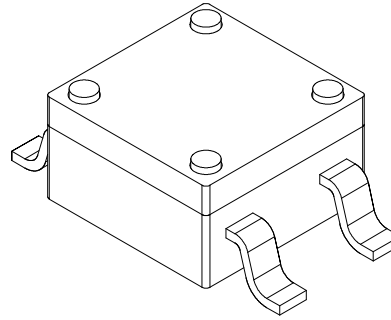


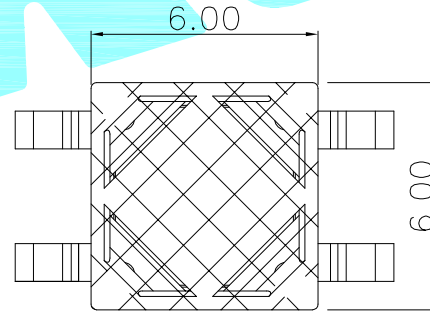
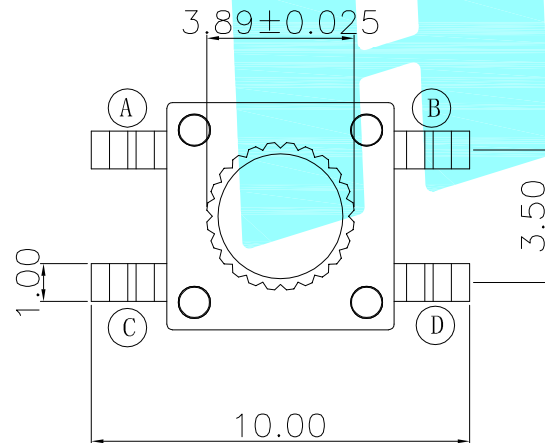
# ROHS



CIRCUIT DIAGRAM



PCB LAND DIMENSION

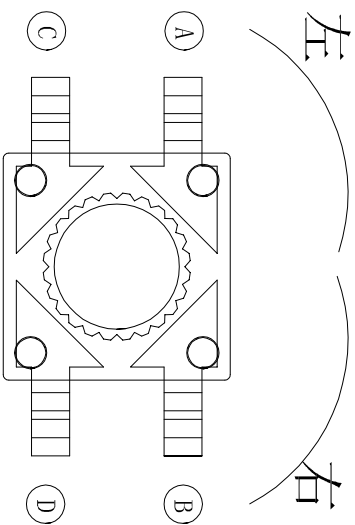


⑤	Dust Cover	—	1	KET	Natural	—
④	Base	—	4	PA	Black	—
③	Terminal	—	1	Phosphor Bronze	Ag Plated	—
②	Ball bearing	—	1	Phosphor Bronze	Ag Plated	—
①	Cover	—	1	PA	Black	—
ITEM	PART NAME	TER'NO.	QTY.	MATERIAL	FINISHING	REMARK

APPROVALS		DATE		 ELECTRONICS CO.,LTD		
DRAWN	J.X.Zhang	2018/8/1				
CHECKED				PART NO.		
APPROVALS				K5-1672SN-01		
TOLERANCES ARE		30~以上	±0.30	ANGLE	UNIT: mm	SCALE: 1:1
		10~30	±0.20			
		5~10	±0.15	±2'	DRAWING NO.	PROJ:
		~ 5	±0.10			

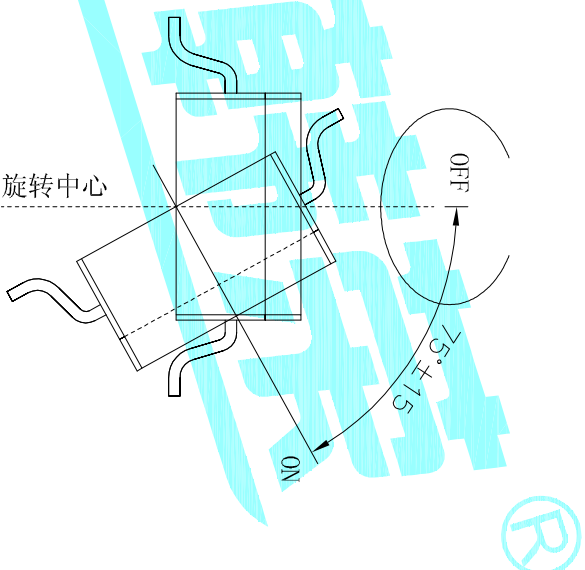
—	A	—	NEW	—	—	—
ECN NO.	REV.	DATE.	DESCRIPTION.	CHANGE.	CHECK.	APPRO.

图一：



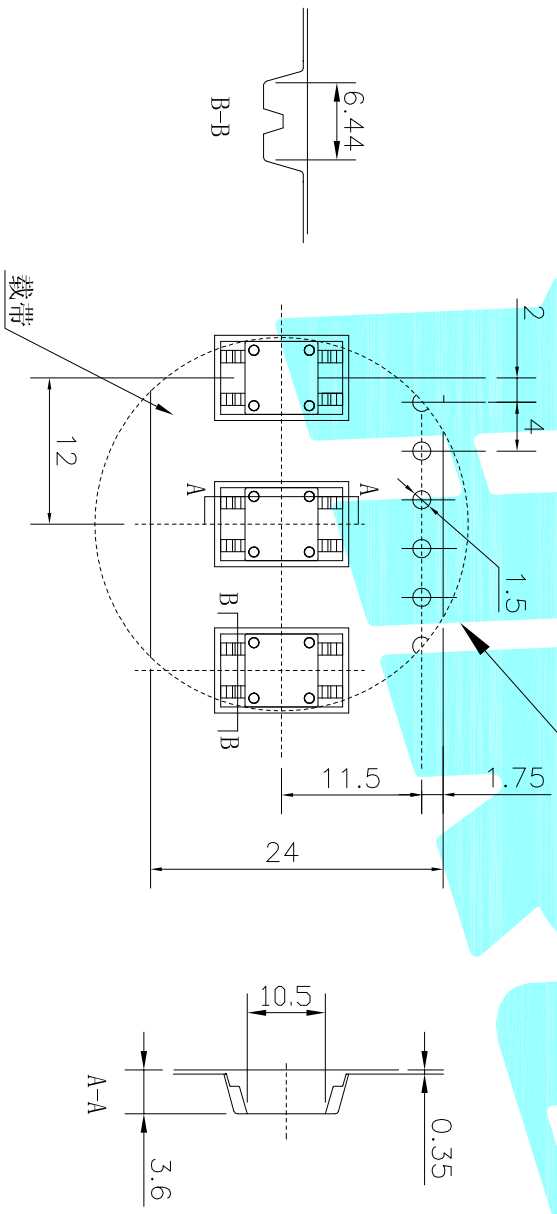
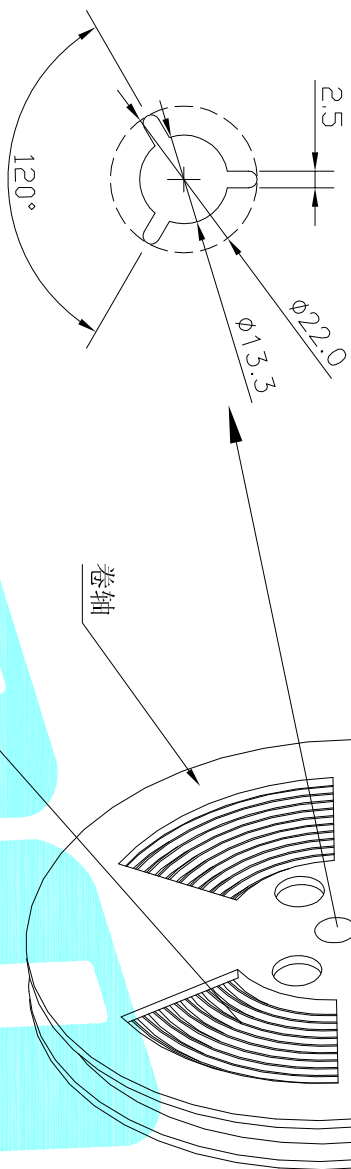
- 开关的方向如图1所示。
- 1、开关静止状态, 接触脚C和接触脚D导通。
  - 2、向左旋转70° ~ 90° 度, 接触脚A和接触脚C导通。
  - 3、向右旋转70° ~ 90° 度, 接触脚B和接触脚D导通。
  - 4、向左旋转160° ~ 180° 度, 接触脚A和接触脚B导通。
  - 5、向右旋转160° ~ 180° 度, 接触脚A和接触脚B导通。

图二：



在图二中, 以中心线作为轴并旋转70° ~ 90° 度, 相邻的两只接触脚导通。

ITEM	PART NAME	TER'NO.	QTY.	MATERIAL	FINISHING	REMARK
APPROVALS						
DRAWN	J.X.Zhang	2018/8/1	TITLE: DETECTOR SWITCHS			
CHECKED			PART NO. K5-1672SN-01			
APPROVALS						
TOLERANCES ARE						
	30~以上	±0.30	ANGLE	UNIT: mm	SCALE: 1:1	PROJ:
	10~30	±0.20				
	5~10	±0.15	±2'	DRAWING NO.		SHEET 1 OF 1
	~ 5	±0.10				
ECN NO.	REV.	DATE.	DESCRIPTION.	CHANGE.	CHECK.	APPRO.
	A		NEW			



包装规格

项目	说明
包装	卡通箱
转轴	聚丙烯
载带	聚丙烯

成品每卷包装数量1000PCS。

ECN NO.	REV.	DATE.	DESCRIPTION.	CHANGE.	CHECK.	APPRO.
	A		NEW			

ITEM	PART NAME	TER'NO.	QTY.	MATERIAL	FINISHING	REMARK
APPROVALS						
DRAWN	J.X.Zhang	DATE	2018/8/1	TITLE: DETECTOR SWITCHS		
CHECKED				PART NO.	K5-1672SN-01	
APPROVALS						
TOLERANCES ARE						
30~>以上	±0.30	ANGLE	±2°	UNIT: mm	SCALE: 1:1	PROJ:
10~30	±0.20			DRAWING NO.		SHEET 1 OF 1
5~10	±0.15					
~5	±0.10					



ELECTRONICS CO.,LTD