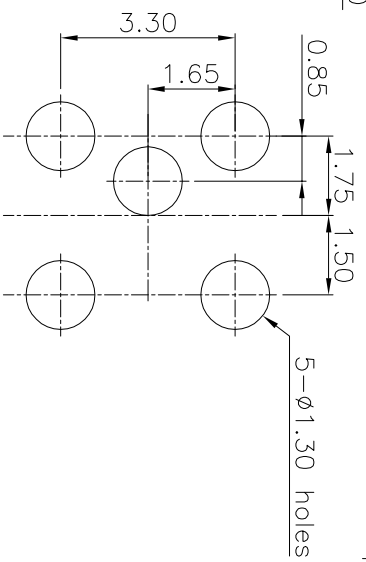
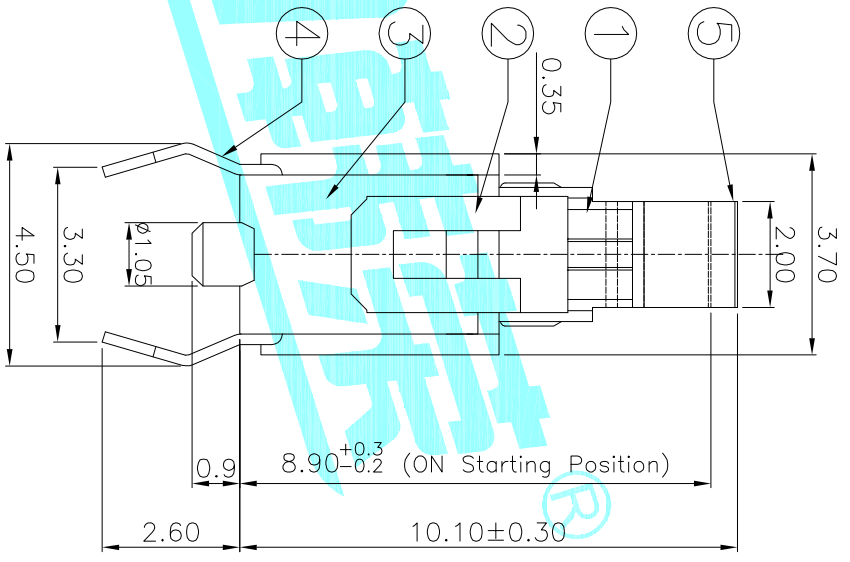


Circuit Diagram



PCB Layout (Pattern side)



NOTE:
 Rating: DC 30V 0.1A
 Operating Force: 30±10gf
 Lifetime: 50,000 Cycles

ITEM	PART NAME	TER'NO.	QTY.	MATERIAL	FINISHING	REMARK
⑥	Contact Spring	---	1	Phosphor Bronze	Ag Plated	---
⑤	Lever	---	1	SUS	Natural	---
④	Terminal	---	4	Phosphor Bronze	Ag Plated	---
③	Base	---	1	PA46	Black	---
②	Cover	---	1	PA46	Black	---
①	Knob	---	1	PA46	Black	---

DRAWN		J.X.Zhang	DATE		2018/12/10
CHECKED			TITLE:		DETECTOR SWITCHS
APPROVALS			PART NO.		K5-1626DA-02
TOLERANCES ARE		30~0.1±	±0.30	ANGLE	±2°
		10~0.30	±0.20	UNIT: mm	SCALE: 1:1
		5~10	±0.15	DRAWING NO.	PROJ: ①
		~5	±0.10		SHEET 1 OF 1



ELECTRONICS CO.,LTD

ECN NO.	REV.	DATE.	DESCRIPTION.	CHANGE.	CHECK.	APPRO.
	A		NEW			