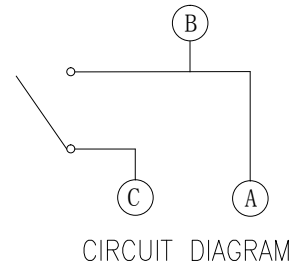
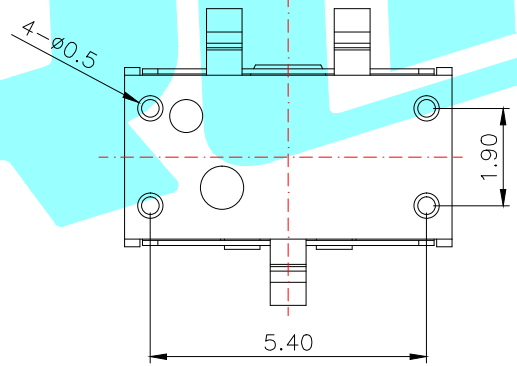
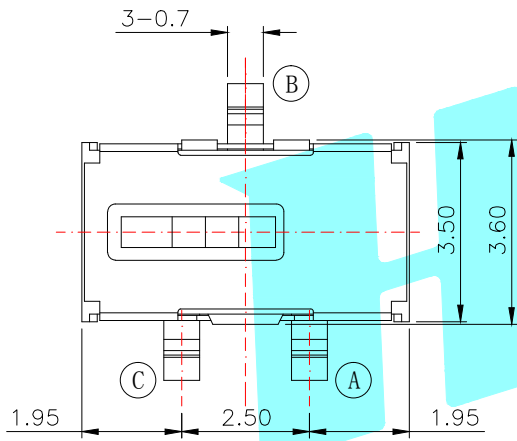
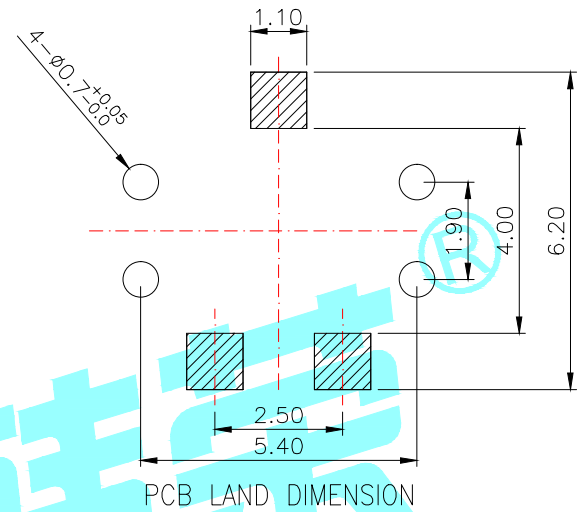
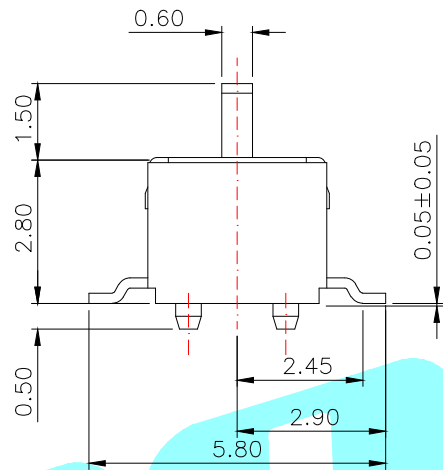
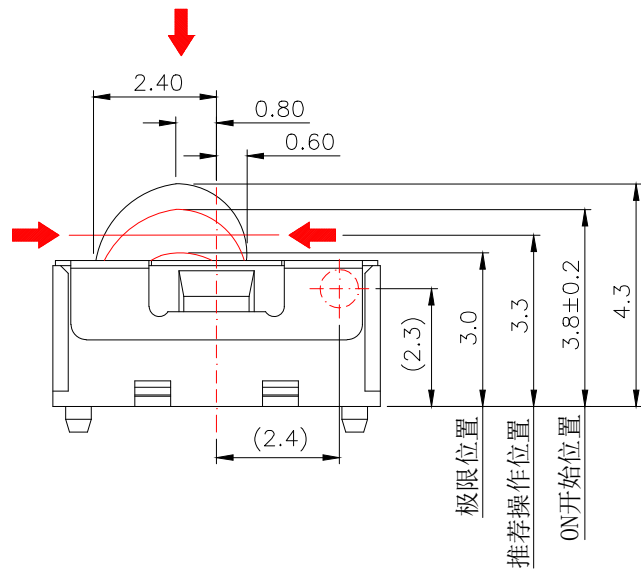


ROHS



NOTE:  
 Rating: DC 5V 0.1~1mA  
 Operating Force: 31gf Max  
 Lifetime: 50,000 Cycles  
 Travel: 0.50±0.20mm

ITEM	PART NAME	TER'NO.	QTY.	MATERIAL	FINISHING	REMARK
⑤	Spring	—	1	Phosphor bronze	Ag Plated	—
④	Base	—	1	PA	Black	—
③	Terminal	—	3	Brass	Ag Plated	—
②	Cover	—	1	SUS	Natural	—
①	Knob	—	1	PA	Black	—

APPROVALS		DATE		HRO 翰豪® ELECTRONICS CO.,LTD		
DRAWN	LIUCAN	2021.4.6		TITLE:	DETECTOR SWITCHES	
CHECKED				PART NO.	K5-1217SA-01	
APPROVALS				UNIT: mm	SCALE: 1:1	PROJ:
TOLERANCES ARE		30~以上	±0.30	ANGLE	DRAWING NO.	SHEET 1 OF 1
		10~30	±0.20			
		5~10	±0.15			
		~ 5	±0.10			

ECN NO.	REV.	DATE.	DESCRIPTION.	CHANGE.	CHECK.	APPRO.
—	A	—	NEW	—	—	—