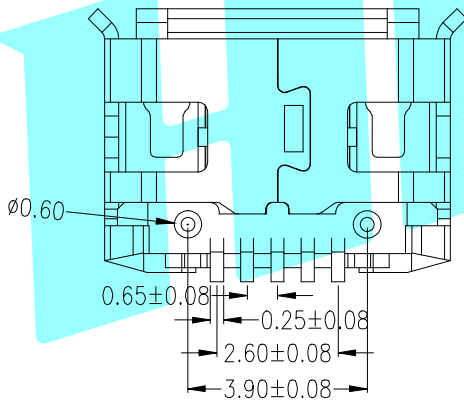
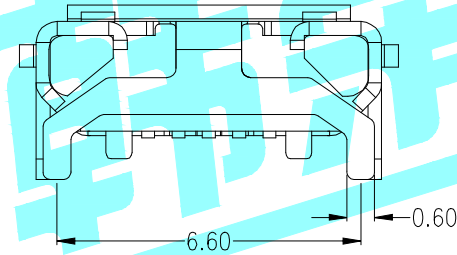
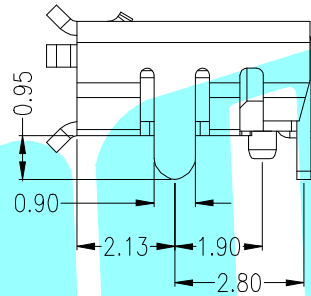
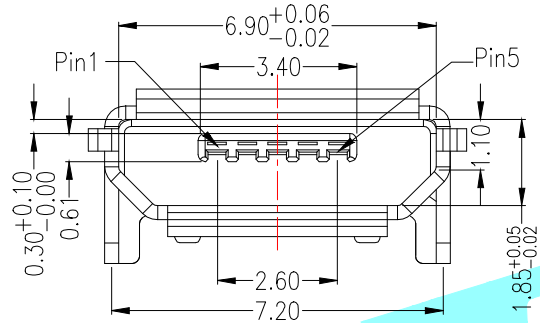
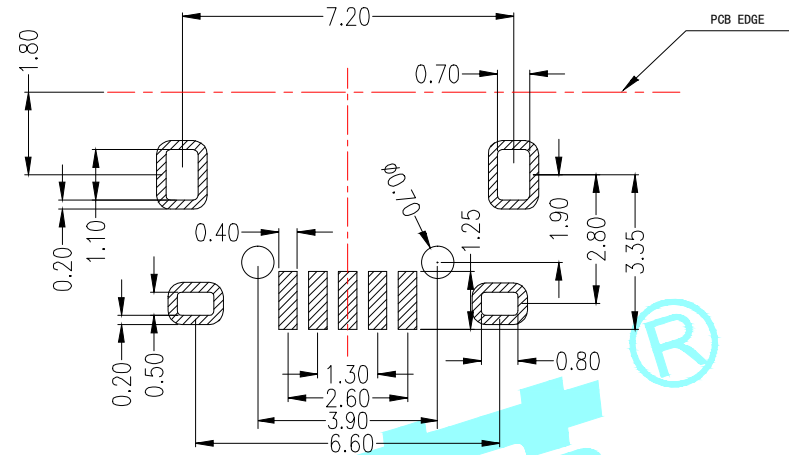
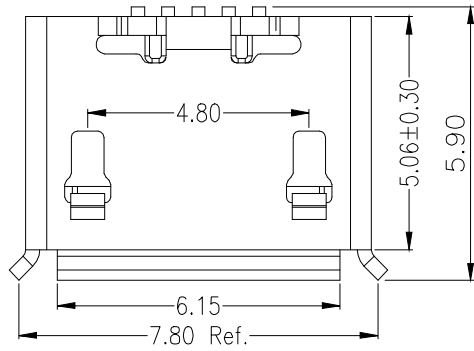


ROHS



1.Specifications:

- 1.1. Current rating: 1 A Max.
- 1.2. Dielectric withstanding:voltage: 100 V(ac) for 1 min.
- 1.3. Contact resistance: 50 mW Max.
- 1.4. Insulation resistance: 100 MW Min.
- 1.5. Total mating force: 3.57 Kgf Max.
- 1.6. Total unmating force: 1.0 Kgf Min.0.81~2.05 Kgf Min.after 10000 insertion/extraction cycles
- 1.7. Temperature range: -30°C~+80°C

③	Shell	—	1	Copper Alloy	Sn Plated	—
②	Terminal	—	5	Copper Alloy	Au Plated	—
①	Base	—	1	LCP	Black	—
ITEM	PART NAME	TER'NO.	QTY.	MATERIAL	FINISHING	REMARK

APPROVALS		DATE		 ELECTRONICS CO.,LTD														
DRAWN	JKUN.LU	2015/3/29					TITLE:	USB CONNECTOR										
CHECKED				PART NO.	U-F-M5DD-Y-L1													
APPROVALS				TOLERANCES ARE	<table border="1"> <tr> <td>30~以上</td> <td>±0.30</td> <td rowspan="3">ANGLE</td> </tr> <tr> <td>10~30</td> <td>±0.25</td> </tr> <tr> <td>5~10</td> <td>±0.20</td> </tr> <tr> <td>~ 5</td> <td>±0.15</td> <td>±2'</td> </tr> </table>	30~以上	±0.30	ANGLE	10~30	±0.25	5~10	±0.20	~ 5	±0.15	±2'	UNIT: mm	SCALE: 1:1	PROJ:
30~以上	±0.30	ANGLE																
10~30	±0.25																	
5~10	±0.20																	
~ 5	±0.15	±2'																
ECN NO.	REV.	DATE.	DESCRIPTION.	CHANGE.	CHECK.	APPRO.	DRAWING NO.		SHEET 1 OF 1									

_____	A	_____	NEW	_____	_____	_____			
ECN NO.	REV.	DATE.	DESCRIPTION.	CHANGE.	CHECK.	APPRO.			