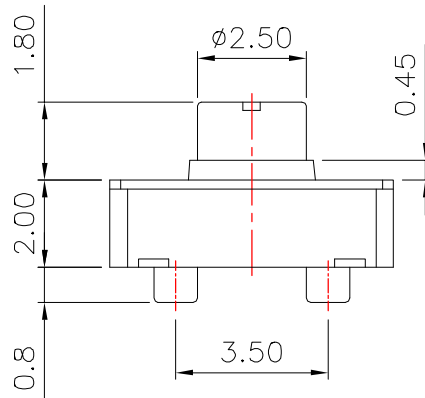
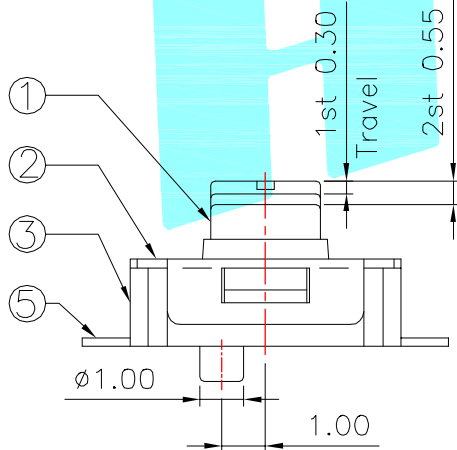


Circuit Diagram

PCB Layout(Pattern side)



NOTE:  
Operating Force:  
1 st 100 ± 40 gf  
2 st 250 ± 80 gf

NO.1-NO.2	
PART NO	NOTE
01~99	SERIAL NUMBER

⑤	Terminal	—	4	Phosphor Bronze	Plating silver	—
④	Contact	—	1	F.Ag/SUS	Plating silver	—
③	Base	—	1	Nylon	White	—
②	Cover	—	1	SUS	Natural	—
①	Keystoke	—	1	Nylon	White	—
ITEM	PART NAME	TER'NO.	QTY.	MATERIAL	FINISHING	REMARK

APPROVALS		DATE		 ELECTRONICS CO.,LTD		
DRAWN	J.X.Zhang	2013/5/30				
CHECKED				TITLE: TACT SWITCHS		
APPROVALS				PART NO. K2-1831SL-A4SA-□□		
TOLERANCES ARE		30~以上	±0.30	ANGLE	UNIT: mm	SCALE: 1:1
		10~30	±0.20			
		5~10	±0.15			
		~ 5	±0.10			
			±2'	DRAWING NO.		PROJ:
				SHEET 1 OF 1		

ECN NO.	REV.	DATE.	DESCRIPTION.	CHANGE.	CHECK.	APPRO.
—	A	—	NEW	—	—	—