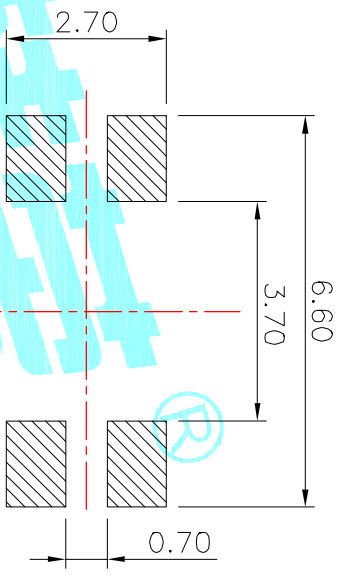
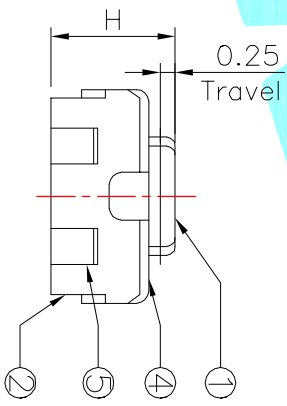


Circuit diagram



PCB Layout recommended

NO.1	
PART NO	H
A	2.1
B	2.5

NO.3	
PART NO	MATERIAL/qty.
S	SUS/1PC
D	SUS/2PCS

NO.2	
PART NO	vigor
2	130±30
3	160±30
4	250±30

NO.4-NO.5	
PART NO	NOTE
01~99	SERIAL NUMBER

ITEM	PART NAME	TER'NO.	QTY.	MATERIAL	FINISHING	REMARK
⑤	Terminal	—	4	Phosphor Bronze	Ag-PLATED	—
④	Shell	—	1	SUS	Natural	—
③	Contact	—	1	SUS	Ag-PLATED	—
②	Base	—	1	Nylon	Black	—
①	Keystroke	—	1	Nylon	Black	—

APPROVALS

DRAWN xu qi feng 2014/10/17

TITLE: TACT SWITCHS

ELECTRONICS CO.,LTD

ECN NO.	REV.	DATE.	DESCRIPTION.	CHANGE.	CHECK.	APPRO.
	A		NEW			
TOLERANCES ARE 30~12.5 ± ±0.30 ANGLE 10~30 ±0.20 5~10 ±0.15 ~5 ±0.10 ±2° DRAWING NO. SHEET 1 OF 1						