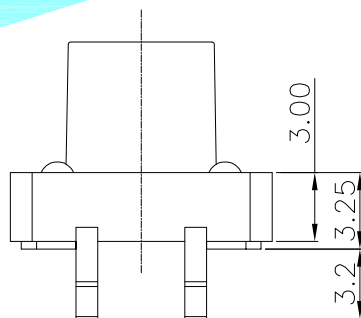
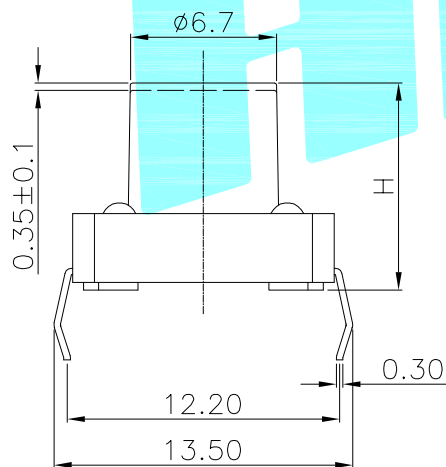


Circuit Diagram

PCB Layout (Pattern side)



NO.1

PART NO	H	PART NO	H
A	4.3	O	11
B	4.5	P	11.5
C	5	Q	12
D	5.5	R	12.5
E	6	S	13
F	6.5	T	13.5
G	7	U	14
H	7.5	V	15
I	8	W	16
J	8.5	X	17
K	9	Y	18
L	9.5	Z	19
M	10	1	15.5
N	10.5		

NO.2

PART NO	vigor
1	90±30
2	130±30
3	180±30
4	250±30
5	350±50

NO.3

PART NO	MATERIAL/QTY
S	SUS/1PC
C	C5210/1PC
D	SUS/2PCS
F	C5210/2PCS

NO.4-NO.5

PART NO	NOTE
01~99	SERIAL NUMBER

⑤	Terminal	—	4	Brass(0.3t)	Plating silver	—
④	Contact	—	1	F.Ag/C5210	—	—
③	Base	—	1	Nylon	Black	UL94V-0
②	Cover	—	1	SPCC/Brass	Plating Sn	—
①	Keystoke	—	1	Nylon	Black	UL94V-0
ITEM	PART NAME	TER'NO.	QTY.	MATERIAL	FINISHING	REMARK

APPROVALS

DATE

DRAWN J.X.Zhang 2014/2/18

CHECKED

TITLE: TACT SWITCHES

APPROVALS

PART NO. K2-1103DP-□□□W-□□

TOLERANCES ARE

30~以上 ±0.30
10~30 ±0.20
5~10 ±0.15
~ 5 ±0.10

ANGLE

UNIT: mm SCALE: 1:1 PROJ:

DRAWING NO.

SHEET 1 OF 1

ECN NO.	REV.	DATE.	DESCRIPTION.	CHANGE.	CHECK.	APPRO.
—	A	—	NEW	—	—	—



ELECTRONICS CO.,LTD