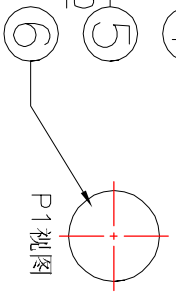
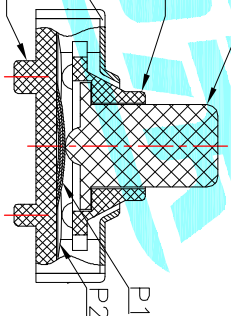
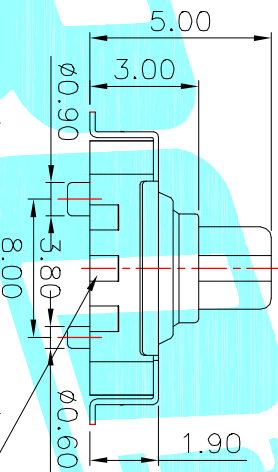
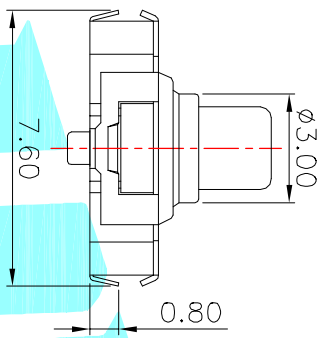
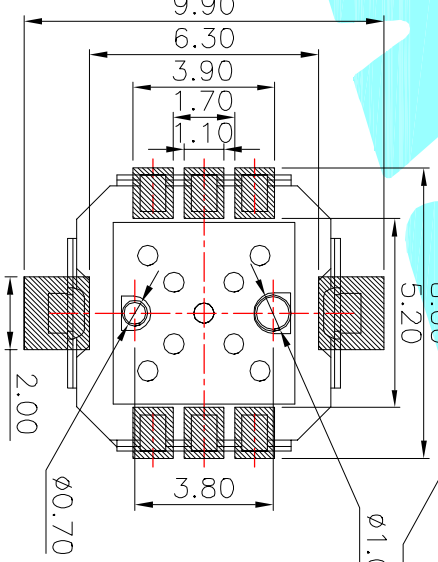
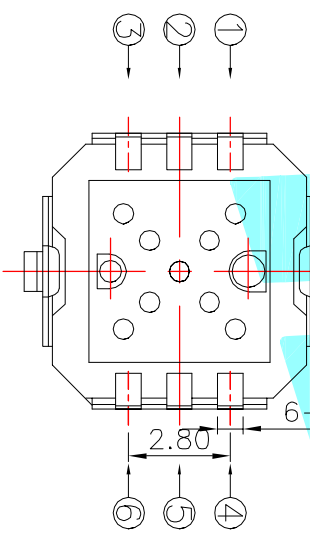


Circuit Diagram



NOTE:
Operating Force:
lever portion 160 ± 35 gf
Push portion 250 ± 35 gf



PCB Layout(Pattern Side)

ITEM	PART NAME	TER'NO.	QTY.	MATERIAL	FINISHING	REMARK
⑦	Contact 2	—	2	F.Ag/SUS	—	—
⑥	Contact 1	—	1	F.Ag/SUS	—	—
⑤	Terminal	—	6	Brass(0.15t)	Plating silver	—
④	Base	—	1	LCP	Black	—
③	Cover	—	1	SUS	—	—
②	Axle sleeve	—	1	LCP	Black	—
①	Keystroke	—	1	PA46	Black	—

APPROVALS		DATE
DRAWN	J.X.Zhang	2013/7/23

APPROVALS		TITLE:
CHECKED		MULTIFUNCTIONAL SWITCHS
APPROVALS		PART NO. K1-5202UA-03
TOLERANCES ARE		SCALE: 1:1
30~以上	±0.30	PROJ.
10~30	±0.20	
5~10	±0.15	
~5	±0.10	
ANGLE	±2'	DRAWING NO.
UNIT: mm		SHEET 1 OF 1

ECN NO.	REV.	DATE.	DESCRIPTION.	CHANGE.	CHECK.	APPRO.
	A		NEW			



ELECTRONICS CO.,LTD