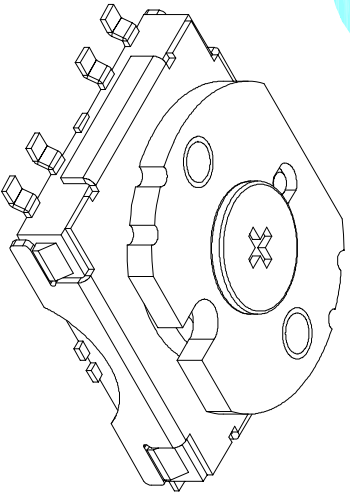
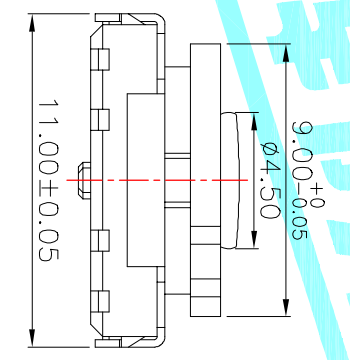
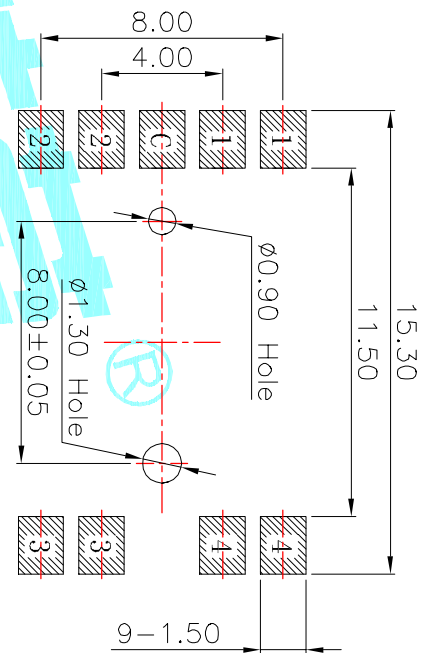


| Terminal | 1 | 2 | 3 | 4 | 5 | 6 | 7 | 8 |
|----------|---|---|---|---|---|---|---|---|
| C1 | | | | | ● | | | |
| C2 | ● | | | | | | | |
| C3 | | ● | | | | | | |
| C4 | | | ● | | | | | |

Circuit Diagram

NOTE:
Operating Force: 200±20gf



| ITEM | PART NAME | TER. NO. | QTY. | MATERIAL | FINISHING | REMARK |
|------|---------------|----------|------|--------------|----------------|--------|
| ⑧ | Terminal | — | 9 | Bross(0.25t) | Plating silver | — |
| ⑦ | Base | — | 1 | PPA | Brown | — |
| ⑥ | Contact | — | 1 | Bross | Plating silver | — |
| ⑤ | Knob | — | 1 | PP66 | Black | — |
| ④ | Spring Plate | — | 1 | SUS | Natural | — |
| ③ | Cover | — | 1 | SUS | Natural | — |
| ② | Locking Plate | — | 1 | SECC | Plating Nickel | — |
| ① | Bolt | — | 1 | H62 | Plating Nickel | — |

| APPROVALS | DATE | TITLE |
|-----------------|----------|--------------------------|
| DRAWN J.X.Zhong | 2013/8/7 | MULTIFUNCTIONAL SWITCHES |
| CHECKED | | ELECTRONICS CO.,LTD |
| APPROVALS | | |

| ECN NO. | REV. | DATE. | DESCRIPTION. | CHANGE. | CHECK. | APPRO. | TOLERANCES ARE | ANGLE | UNIT: | SCALE: | PROJ: | SHEET |
|---------|------|-------|--------------|---------|--------|--------|----------------|-------|-------|--------|---------|--------|
| | A | | NEW | | | | 30~0.1± | ±0.30 | mm | 1:1 | PROJ: 1 | 1 OF 1 |
| | | | | | | | 10~0.30 | ±0.20 | | | | |
| | | | | | | | 5~10 | ±0.15 | | | | |
| | | | | | | | ~5 | ±0.10 | | | | |