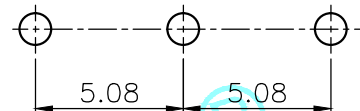
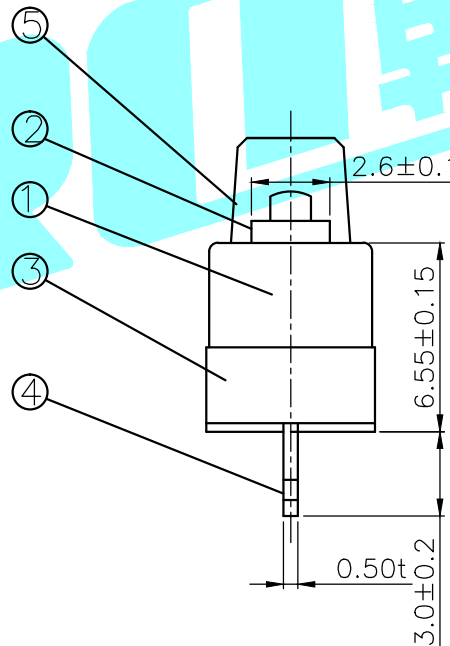
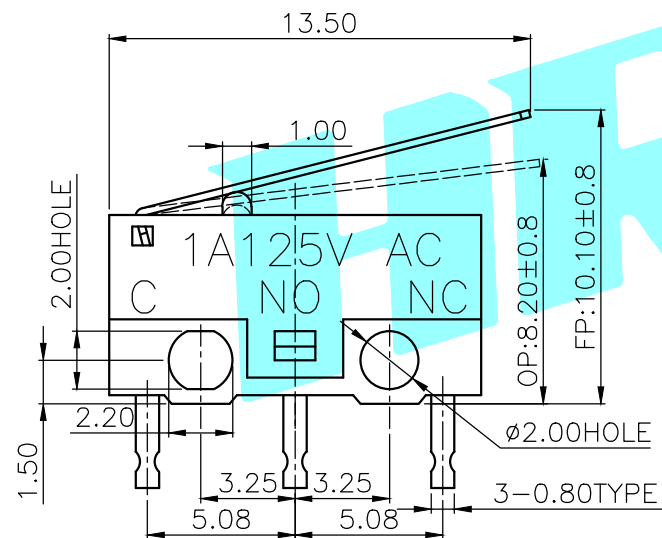


Circuit Diagram



P.C.B layout



NOTE:

- 1.Rating:DC30V 0.1A
- 2.OP:8.20±0.8
- 3.Operating force:30±15gf
- 4.Mechanical Life:3,000,000

ITEM	PART NAME	TER'NO.	QTY.	MATERIAL	FINISHING	REMARK
⑦	Shrapnel	—	1	Beryllium Copper	—	—
⑥	Contact	—	1	Ag	—	—
⑤	Lever	—	1	Stainless Steel	—	—
④	Terminal	—	3	Brass(0.50t)	Plating silver	—
③	Housing	—	1	PBT	White	—
②	Knob	—	1	POM	White	—
①	Cover	—	1	PBT	Black	—

APPROVALS		DATE	 <b>ELECTRONICS CO.,LTD</b>											
DRAWN	J.X.Zhang	2013/6/4												
CHECKED			TITLE:		MICRO SWITCHS									
APPROVALS			PART NO.		K9-1267H									
TOLERANCES ARE		<table border="1"> <tr> <td>30~以上</td> <td>±0.30</td> </tr> <tr> <td>10~30</td> <td>±0.20</td> </tr> <tr> <td>5~10</td> <td>±0.15</td> </tr> <tr> <td>~ 5</td> <td>±0.10</td> </tr> </table>	30~以上	±0.30	10~30	±0.20	5~10	±0.15	~ 5	±0.10	ANGLE	UNIT: mm	SCALE: 1:1	PROJ:
30~以上	±0.30													
10~30	±0.20													
5~10	±0.15													
~ 5	±0.10													
ECN NO.	REV.	DATE.	DESCRIPTION.	CHANGE.	CHECK.	APPRO.	DRAWING NO.	SHEET 1 OF 1						

ECN NO.	REV.	DATE.	DESCRIPTION.	CHANGE.	CHECK.	APPRO.
—	A	—	NEW	—	—	—