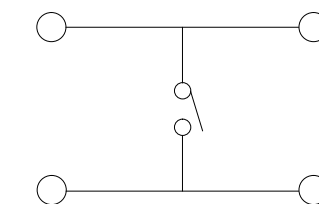
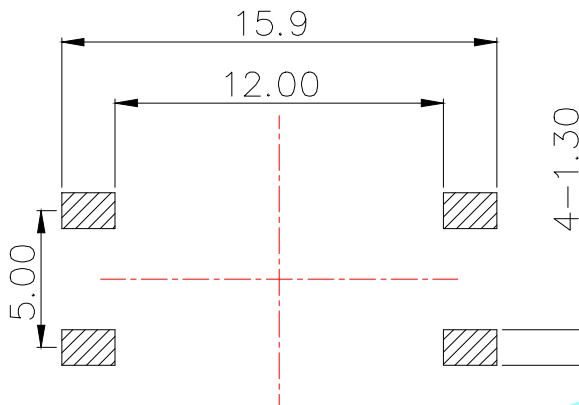
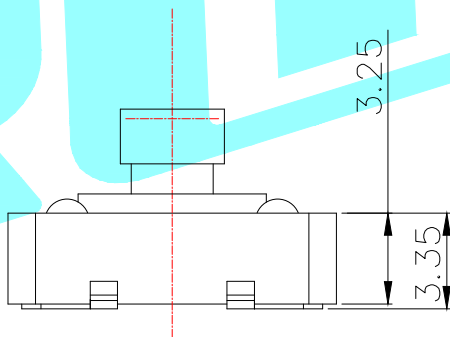
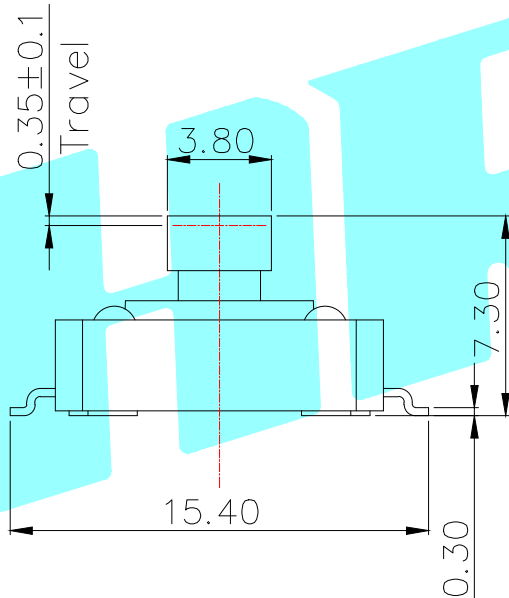


PCB Layout (Pattern side)



Circuit Diagram

Typical Specifications :
 1. Rating : DC 12V 50mA
 2. Life: 100,000 Cycles Min.



NO.2	
PART NO	vigor
1	90±30
2	130±30
3	180±30
4	250±30
5	350±50

NO.3	
PART NO	MATERIAL/QTY
S	SUS/1PC
C	C5210/1PC
D	SUS/2PCS
F	C5210/2PCS

NO.4-NO.5	
PART NO	NOTE
01~99	SERIAL NUMBER

ITEM	PART NAME	TER'NO.	QTY.	MATERIAL	FINISHING	REMARK
⑤	Terminal	—	4	Brass(0.3t)	Plating silver	—
④	Contact	—	1	F.Ag/C5210	—	—
③	Base	—	1	Nylon	Black	UL94V-0
②	Cover	—	1	SPCC	Plating Sn	—
①	Keystoke	—	1	Nylon	Black	UL94V-0

APPROVALS		DATE		HRO 華聯 ELECTRONICS CO.,LTD		
DRAWN	LIUCAN	2021.7.7		TITLE:	TACT SWITCHS	
CHECKED				PART NO.	K2-1103ST-A □□W-□□	
APPROVALS				UNIT: mm	SCALE: 1:1	PROJ:
TOLERANCES ARE		30~以上	±0.30	ANGLE	DRAWING NO.	SHEET 1 OF 1
		10~30	±0.20			
		5~10	±0.15			
		~ 5	±0.10			

ECN NO.	REV.	DATE.	DESCRIPTION.	CHANGE.	CHECK.	APPRO.
—	A	—	NEW	—	—	—