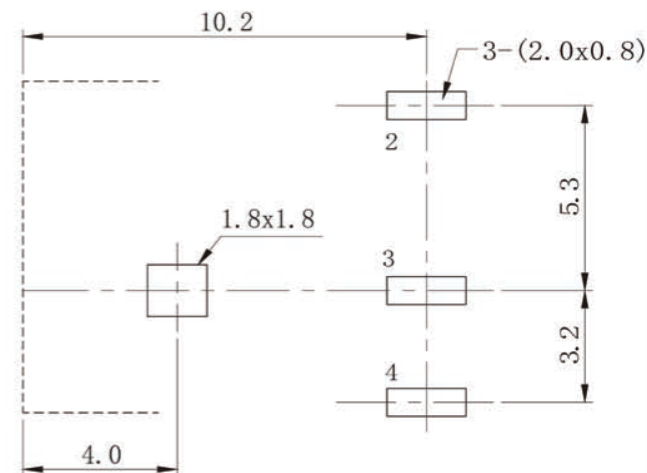
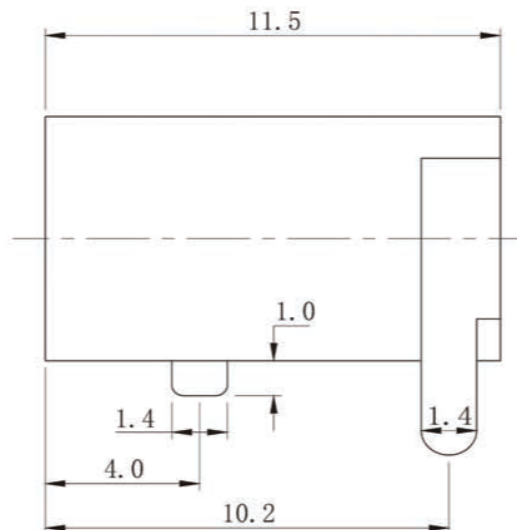
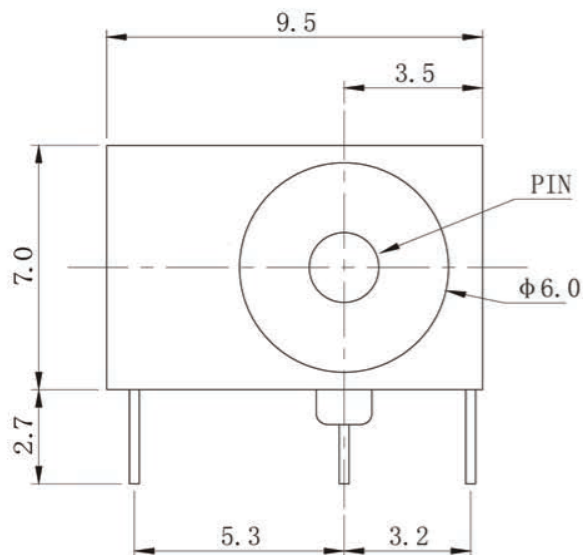
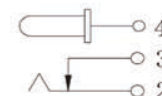


| | | | |
|------|----------|--|--|
| REV | A | | |
| DATB | 08/12/24 | | |

P. C. B LAYOUT TOP VIEW



| | | | |
|------|-------------|------------|------------|
| PIN | $\phi 1.65$ | $\phi 2.0$ | $\phi 2.5$ |
| APPD | | | |



| NO | PART | MATERIAL | QTY | REMARKS |
|----|---------------|------------|-----|------------------|
| 7 | TERMINAL-3 | BRASS-0.4T | 2 | Tin Plating |
| 6 | TERMINAL-2 | BRASS-0.4T | 2 | Tin Plating |
| 5 | TERMINAL-1 | BRASS-0.5T | 2 | Tin Plating |
| 4 | SOCKET | BRASS-0.4T | 4 | Tin/Gold Plating |
| 3 | UP&DOWN COVER | ABS | 2 | BLACK |
| 2 | WASHER | ABS | 4 | |
| 1 | HOUSING | ABS | 1 | BLACK |

| TOLERANCE | |
|-----------|------------|
| UNDER 1 | ± 0.05 |
| 1-10 | ± 0.15 |
| OVER 10 | ± 0.25 |

| | | | | | |
|---------------|---------------|----------|----------------|------|----|
| 深圳市金航标电子有限公司 | | | WWW.BDS666.COM | | |
| KH-DC-044-2.0 | | | 0755-83044319 | | |
| TITLE: | DC POWER JACK | ITEM NO | DC-044 | | |
| DRAWING: | 赖积任 | 08/12/24 | SCALE | UNIT | mm |
| APPROVE: | | | PROJECTION | | |