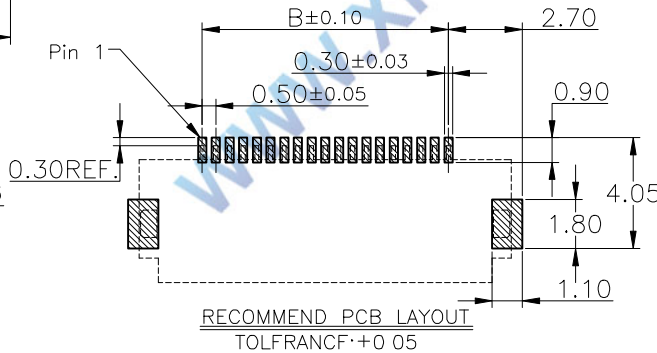
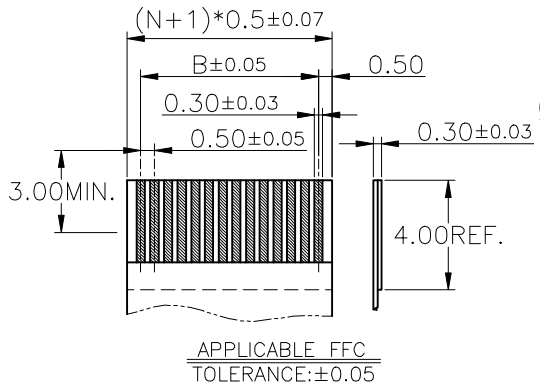
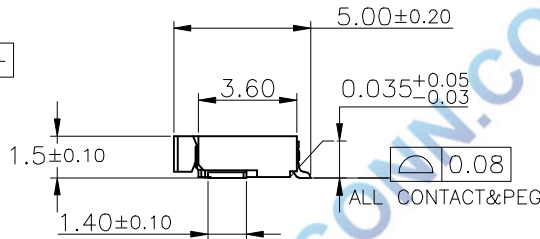
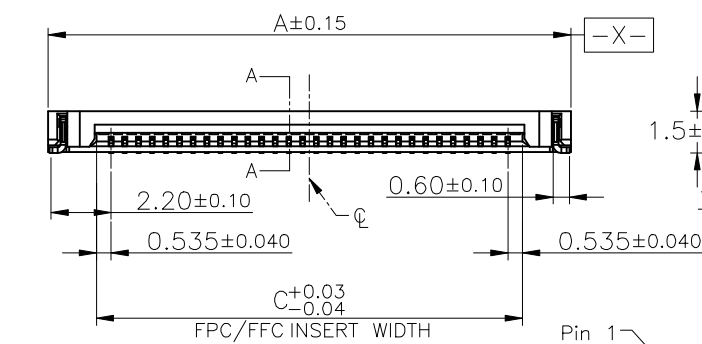


F0502-B-xx-15T-x  
 R=卷装 无=管装  
 T=镀锡 G=镀金  
 Pin位数  
 B=下接

Electrical Characteristics:  
 Current rating: 0.4A AC/DC  
 Voltage rating: 50V AC/DC  
 Temperature range: -25°C~+85°C  
 Withstand Voltage: 200V AC/Minute  
 Contact Resistance: ≤ 20mΩ  
 Insulation resistance: ≥ 500mΩ  
 Relative Humidity: 93%+40°C

Material Description:  
 Terminal: Phosphor Bronze Tin-Plated  
 Fitting Nail: Brass Tin-plated  
 Housing: Thermoplastic(UL94V-0)  
 Slider: Thermoplastic(UL94V-0)



PIN数	DIM=A	DIM=B	DIM=C	PIN数	DIM=A	DIM=B	DIM=C
60	34.10	29.50	30.57	31	19.60	15.00	16.07
59	33.60	29.00	30.07	30	19.10	14.50	15.57
58	33.10	28.50	29.57	29	18.60	14.00	15.07
57	32.60	28.00	29.07	28	18.10	13.50	14.57
56	32.10	27.50	28.57	27	17.60	13.00	14.07
55	31.60	27.00	28.07	26	17.10	12.50	13.57
54	31.10	26.50	27.57	25	16.60	12.00	13.07
53	30.60	26.00	27.07	24	16.10	11.50	12.57
52	30.10	25.50	26.57	23	15.60	11.00	12.07
51	29.60	25.00	26.07	22	15.10	10.50	11.57
50	29.10	24.50	25.57	21	14.60	10.00	11.07
49	28.60	24.00	25.07	20	14.10	9.50	10.57
48	28.10	23.50	24.57	19	13.60	9.00	10.07
47	27.60	23.00	24.07	18	13.10	8.50	9.57
46	27.10	22.50	23.57	17	12.60	8.00	9.07
45	26.60	22.00	23.07	16	12.10	7.50	8.57
44	26.10	21.50	22.57	15	11.60	7.00	8.07
43	25.60	21.00	22.07	14	11.10	6.50	7.57
42	25.10	20.50	21.57	13	10.60	6.00	7.07
41	24.60	20.00	21.07	12	10.10	5.50	6.57
40	24.10	19.50	20.57	11	9.60	5.00	6.07
39	23.60	19.00	20.07	10	9.10	4.50	5.57
38	23.10	18.50	19.57	9	8.60	4.00	5.07
37	22.60	18.00	19.07	8	8.10	3.50	4.57
36	22.10	17.50	18.57	7	7.60	3.00	4.07
35	21.60	17.00	18.07	6	7.10	2.50	3.57
34	21.10	16.50	17.57	5	6.60	2.00	3.07
33	20.60	16.00	17.07	4	6.10	1.50	2.57
32	20.10	15.50	16.57				

VER	MODIFICATION	DRAW	DATE	TOLERANCE UNLESS OTHERWISE	DRAWN	CK	tan
A0				X. ±0.30 X° ±5°	CHKD		
				.X ±0.20 .X° ±2°	APPD		
				.XX ±0.08 .XX° ±1°	VIEW	⊕	
				.XXX ±0.03 .XXX° ±0.5°			

XFCN兴飞连接器有限公司 CONNECTORS XFCN CONNECTORS CO., LTD.		SHEET	1/1
		DATE	2010. 4. 12
PRODUCT NAME	FPC 0.50mm Connectors	UNITS	mm
PART. NO.	F0502-B-XX-15T	SCALE	1:1
		DWG. NO.	009