

# 产品规格书

## DATA SHEET

客户名称：        无          
产品名称：        单相整流桥          
产品型号：        KBP2\*\*整流桥（凸台）          
产品描述：        玻璃钝化芯片整流桥          
                        2A                          
物料编码：        无        

制作 Prepared by	审核 Audit by	批准 Approved by
王伟	崔伟	黄晓艳

客户确认 Customer Signature

乐山希尔电子股份有限公司

中国，四川省，乐山市高新技术开发区南新路 9 号（614000）

网址：[www.share-leshan.com.cn](http://www.share-leshan.com.cn)      邮箱：[Sales@share-leshan.com.cn](mailto:Sales@share-leshan.com.cn)

## 2A 单相整流桥

### 2A Glass Passivated Single-Phase Bridge Rectifier

#### 特征 Features

玻璃钝化芯片

Glass passivated chip

低反向漏电流

Low Reverse Leakage Current

高耐浪涌电流能力达 60 安培

High surge current capability to 60 Amperes

塑封料已经UL可燃性认证94V-0，UL档案编号：E249161

Plastic material has Underwriters Laboratory flammability recognition 94V-0, Recognized File # E249161

符合ROHS要求

ROHS compliance

高温焊接保证：260°C±5°C/10秒，拉力2.3 Kgf.cm

High temperature soldering guaranteed: 260°C+5°C/10 seconds (2.3 Kgf.cm)tension



#### 机械参数 Mechanical Data

本体：塑封

Case: Molded plastic case

标识/极性：本体标记

Marking / Polarity: Marked on Body

重量：约 1.6 克

Weight: About 1.6 grams

#### 产品适用范围 Product scope of application

家用电器

Household Electric Appliances

工业电源

Industrial power supply

工业自动化设备

Industrial automation equipment

型号Type	V <sub>RRM</sub> (V)	V <sub>RSM</sub> (V)
KBP2005	50V	100V
KBP201	100V	200V
KBP202	200V	300V
KBP204	400V	500V
KBP206	600V	700V
KBP208	800V	900V
KBP210	1000V	1100V
KBP212	1200V	1300V

最大额定值 Maximum Ratings and Thermal Characteristics @ Ta = 25°C unless otherwise noted				
参数名称 Item	符号 Symbol	参数条件 Conditions	额定值 Rated value	单位 Unit
平均整流输出电流 Average Rectified Output Current	I <sub>o</sub>	50Hz 正弦波负载, 50Hz sine wave load	2	A
最大正向浪涌电流 Peak Surge Forward Current	I <sub>fsm</sub>	50HZ 正弦波,一个周期, T <sub>j</sub> =25°C 50HZ sine wave,1 cycle, T <sub>j</sub> =25°C	60	A
热容值 Rating for fusing	i <sup>2</sup> t	1ms<t<8.3ms,T <sub>j</sub> =25°C, 单个二极管 1ms<t<8.3ms,T <sub>j</sub> =25°C, Rating of per diode	14.9	A <sup>2</sup> S
		1ms<t<10.0ms,T <sub>j</sub> =25°C, 单个二极管 1ms<t<10.0ms,T <sub>j</sub> =25°C, Rating of per diode	18	A <sup>2</sup> S
存储温度 Storage Temperature	T <sub>stg</sub>		-55 ~ +150	°C
结温 Junction Temperature	T <sub>j</sub>		-55 ~ +150	°C

电气特性 Electrical Characteristics @ Ta = 25°C unless otherwise noted					
参数名称 Item	符号 Symbol	测试条件 Test Conditions	额定值 Rated value	单位 Unit	
正向峰值电压 Peak Forward Voltage	V <sub>F</sub>	IF=2.0A, 脉冲测试, 单个二极管的额定值 IF=2.0A, Pulse measurement, Rate of per diode	Ta=25°C 1.1	V	
反向峰值电流 Peak Reverse Current	I <sub>R</sub>	VR=VRRM, 脉冲测试, 单个二极管的额定值 VR=VRRM, Pulse measurement, Rating of per diode	Tj=25°C 5	uA	
			Tj=125°C 500		
热阻 Thermal resistance	R <sub>θJ-A</sub>	结到环境的热阻,无散热片 Junction to ambient, without heatsink	32 <sup>(1)</sup>	°C/W	

备注:

(1) 产品安装于 PCB 板上, 不带散热片;

Products installed on the PCB, Without heatsink;

特性曲线 Rating Characteristic

FIG.1 . Derating Curve For Output Rectified Current

图 1. 电流降额曲线

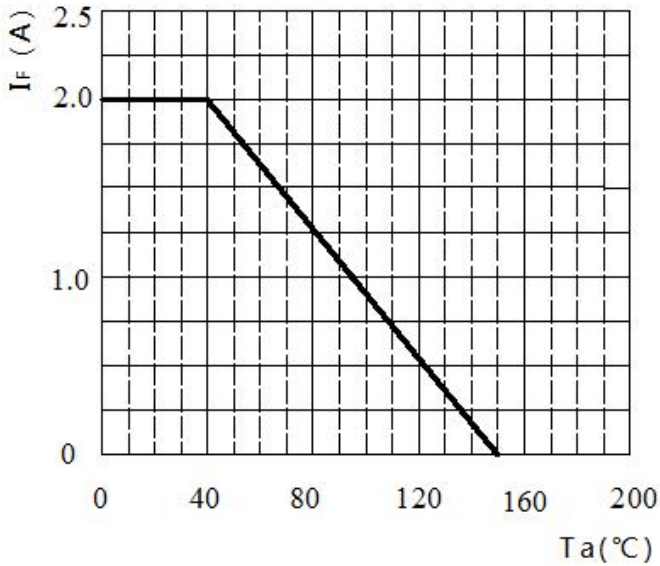


FIG.2 . Maximum Non-Repetitive Peak Orward Surge Current Per Bridge Element

图 2. 最大正向不重复峰值浪涌电流

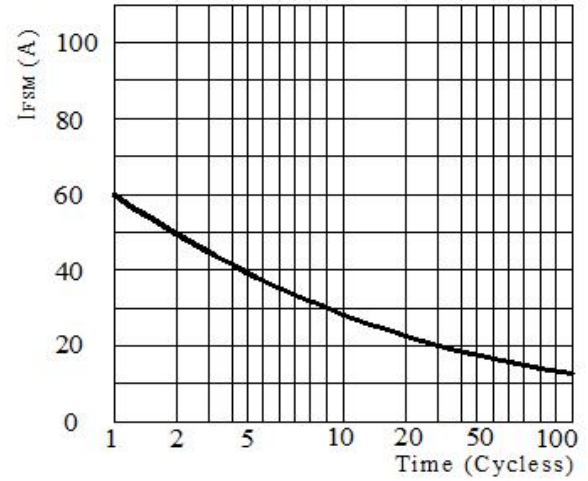


FIG3. Typical Reverse Characteristics Per Bridge Element

图 3. 典型反向特性

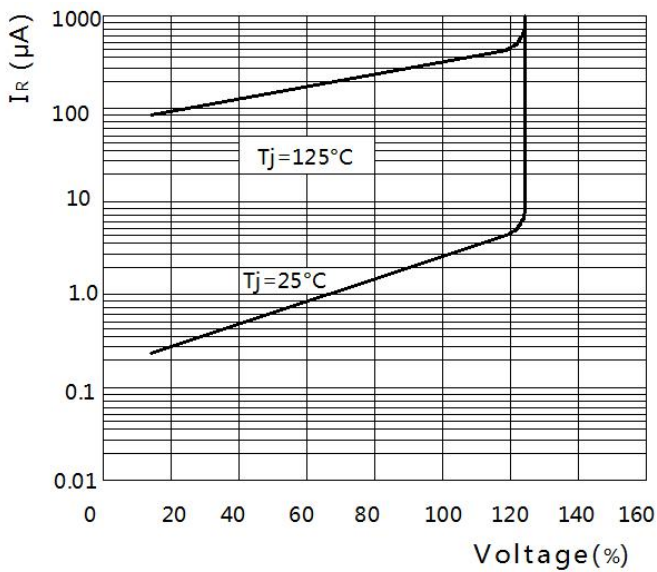
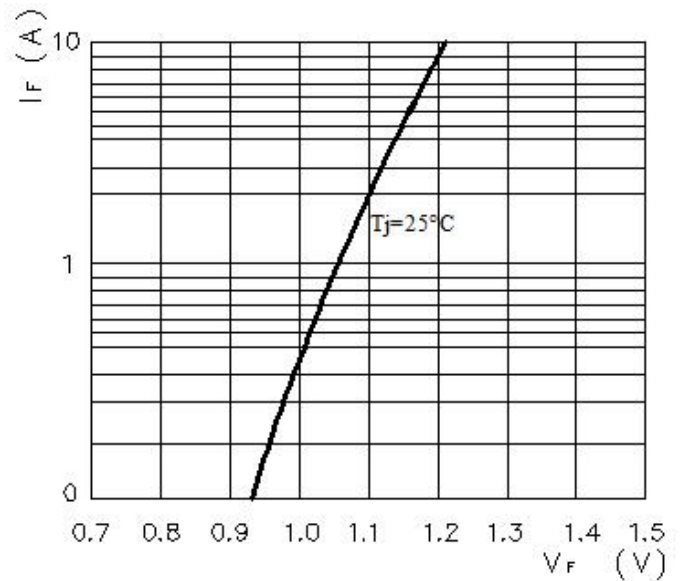
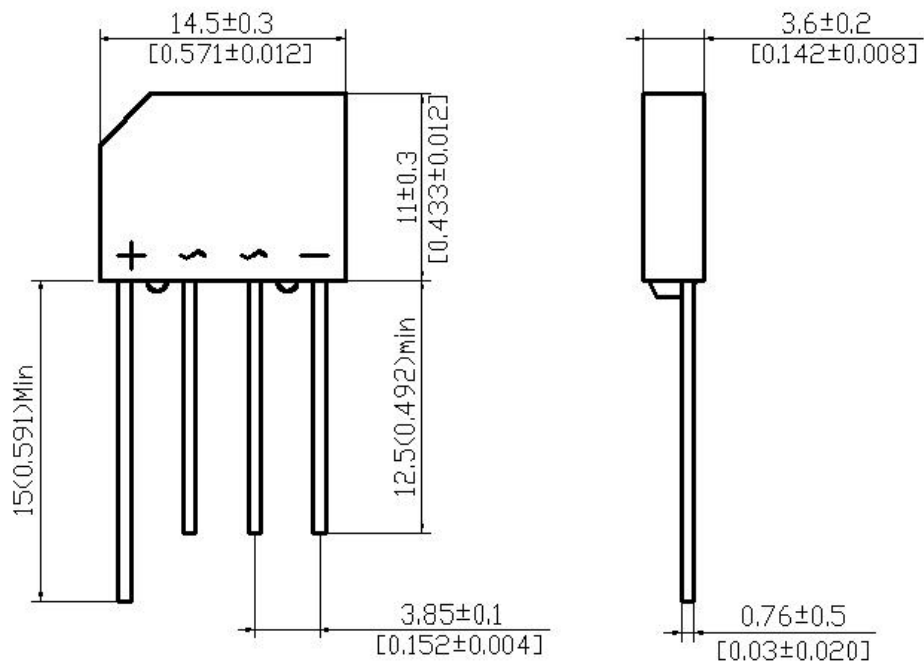


FIG4. Typical Forward Characteristics Per Bridge Element

图 4. 典型正向特性

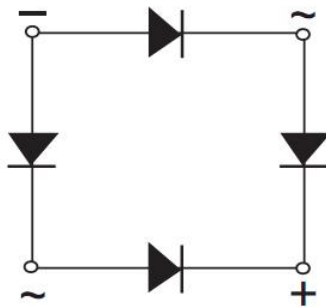


## 尺寸图 Dimensioned drawing



Dimensions in inches (mm)

## 线路图 Circuit diagram



## 外形图 Outside view

