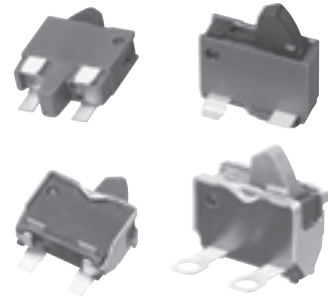


### ESE22 Detector Switches

Type: **ESE22**



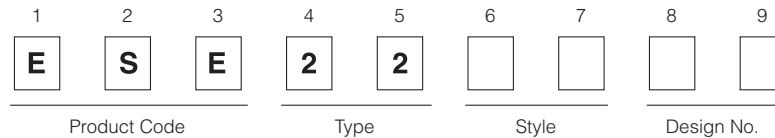
#### ■ Features

- Can be operated with different actuation angles (horizontally and vertically)
- Reflow soldering
- Light operating force

#### ■ Recommended Applications

- Detection of media in portable electronic equipment

#### ■ Explanation of Part Numbers

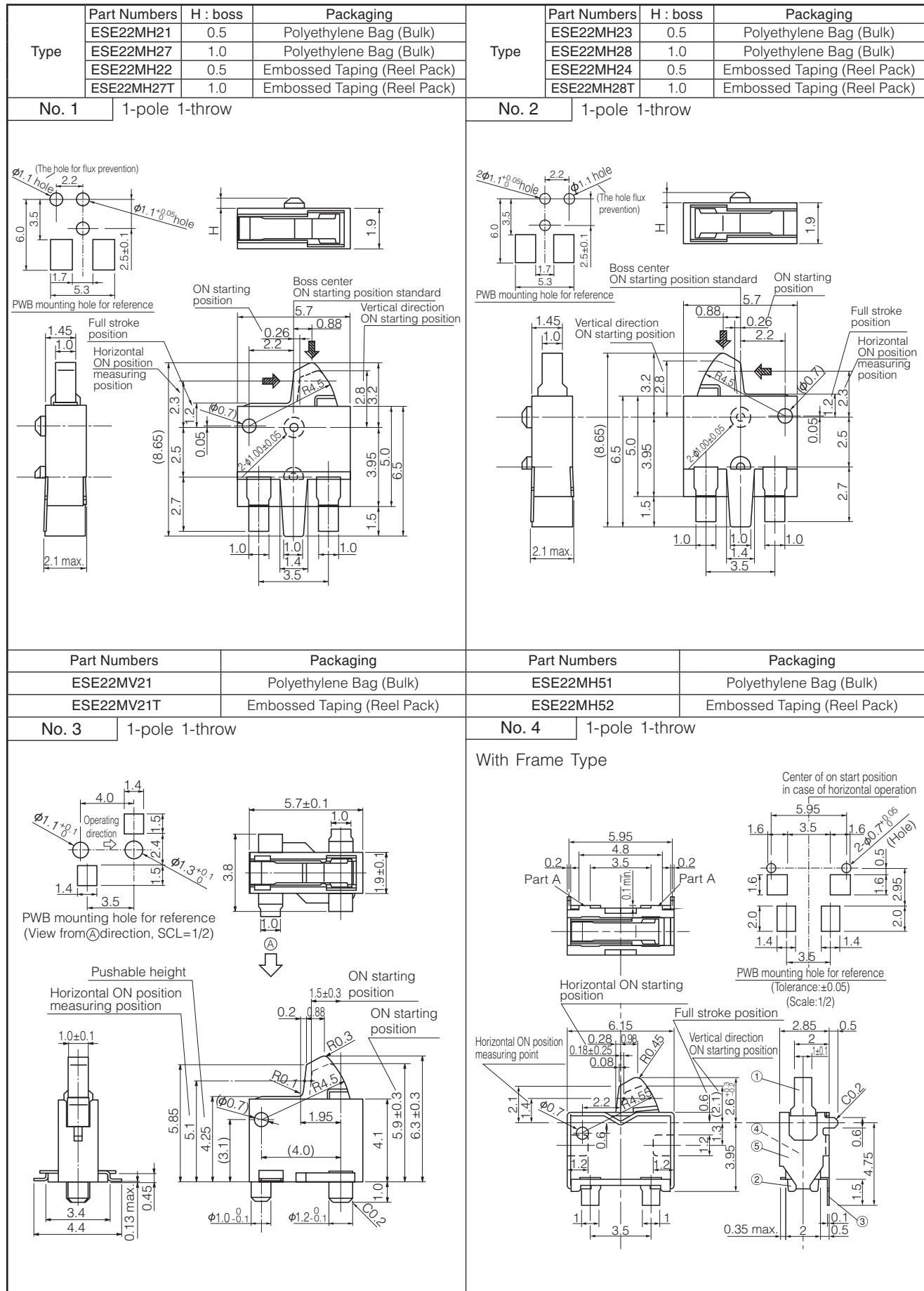


#### ■ Specifications

Rating	50 $\mu$ A 3 V DC to 10 mA 5 V DC (Resistive load)	
Contact Resistance	500 m $\Omega$ max. (Initial)	
Insulation Resistance	100 M $\Omega$ min. (at 100 V DC for 1 minute)	
Dielectric Withstanding Voltage	100 V AC (50 Hz or 60 Hz) for 1 minute	
Operating Force	290 mN max.	
Mounting Height	<ul style="list-style-type: none"> <li>· ESE22MV Type 4.1 mm</li> <li>· ESE22MH Type with Frame 2.85 mm</li> </ul>	<ul style="list-style-type: none"> <li>· ESE22MH Type 2.1 mm</li> </ul>
Poles and Throws	1-pole 1-throw	
Full Travel (Pushing distance)	<ul style="list-style-type: none"> <li>· ESE22MV Type 4.25 mm(2.05 mm)</li> <li>· ESE22MH Type with Frame 0.6 mm(2.0 mm)</li> </ul>	<ul style="list-style-type: none"> <li>· ESE22MH Type 1.2 mm(2.0 mm)</li> </ul>
Operating Life	50,000 cycles min.	
Temperature Range	-10 $^{\circ}$ C to +70 $^{\circ}$ C (Standard), -40 $^{\circ}$ C to +85 $^{\circ}$ C (Automotive)	
Heat Resistance	+80 $^{\circ}$ C for 96 hours	
Low Temperature Resistance	-25 $^{\circ}$ C for 96 hours	
Humidity Resistance	+40 $^{\circ}$ C 90 % to 95 % RH for 96 hours	
Minimum Quantity/Packing Unit	500 pcs. Polyethylene Bag (Bulk)	
	<ul style="list-style-type: none"> <li>· ESE22MV Type 1,000 pcs. Embossed Taping (Reel Pack)</li> <li>· ESE22MH Type with Frame 3,000 pcs. Embossed Taping (Reel Pack)</li> <li>· ESE22MH Type 4,000 pcs. Embossed Taping (Reel Pack)</li> </ul>	
	10,000 pcs. Polyethylene Bag (Bulk)	
Quantity/Carton	10,000 pcs. Polyethylene Bag (Bulk)	
	<ul style="list-style-type: none"> <li>· ESE22MV Type 6,000 pcs. Embossed Taping (Reel Pack)</li> <li>· ESE22MH Type with Frame 18,000 pcs. Embossed Taping (Reel Pack)</li> <li>· ESE22MH Type 24,000 pcs. Embossed Taping (Reel Pack)</li> </ul>	

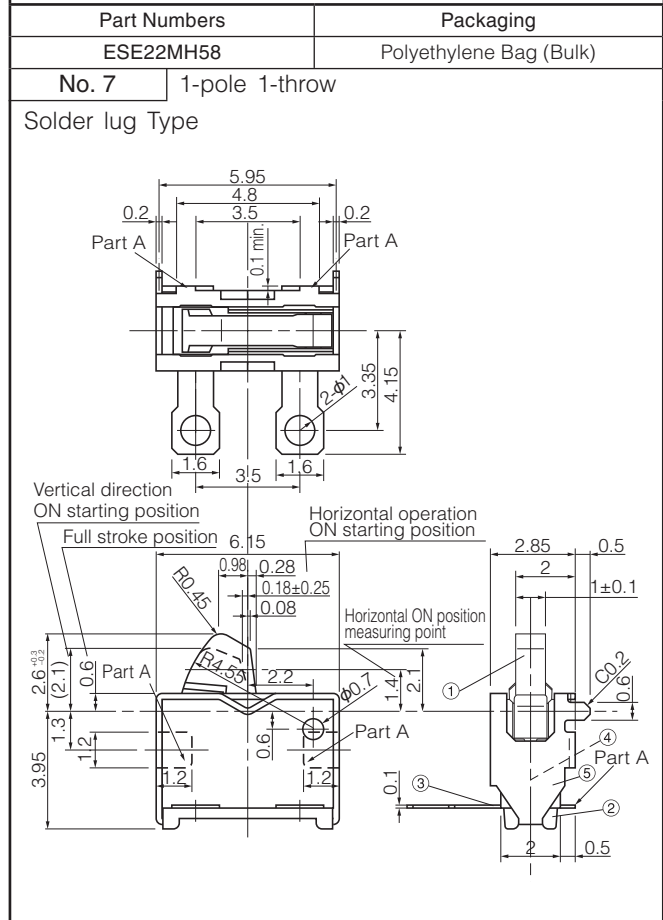
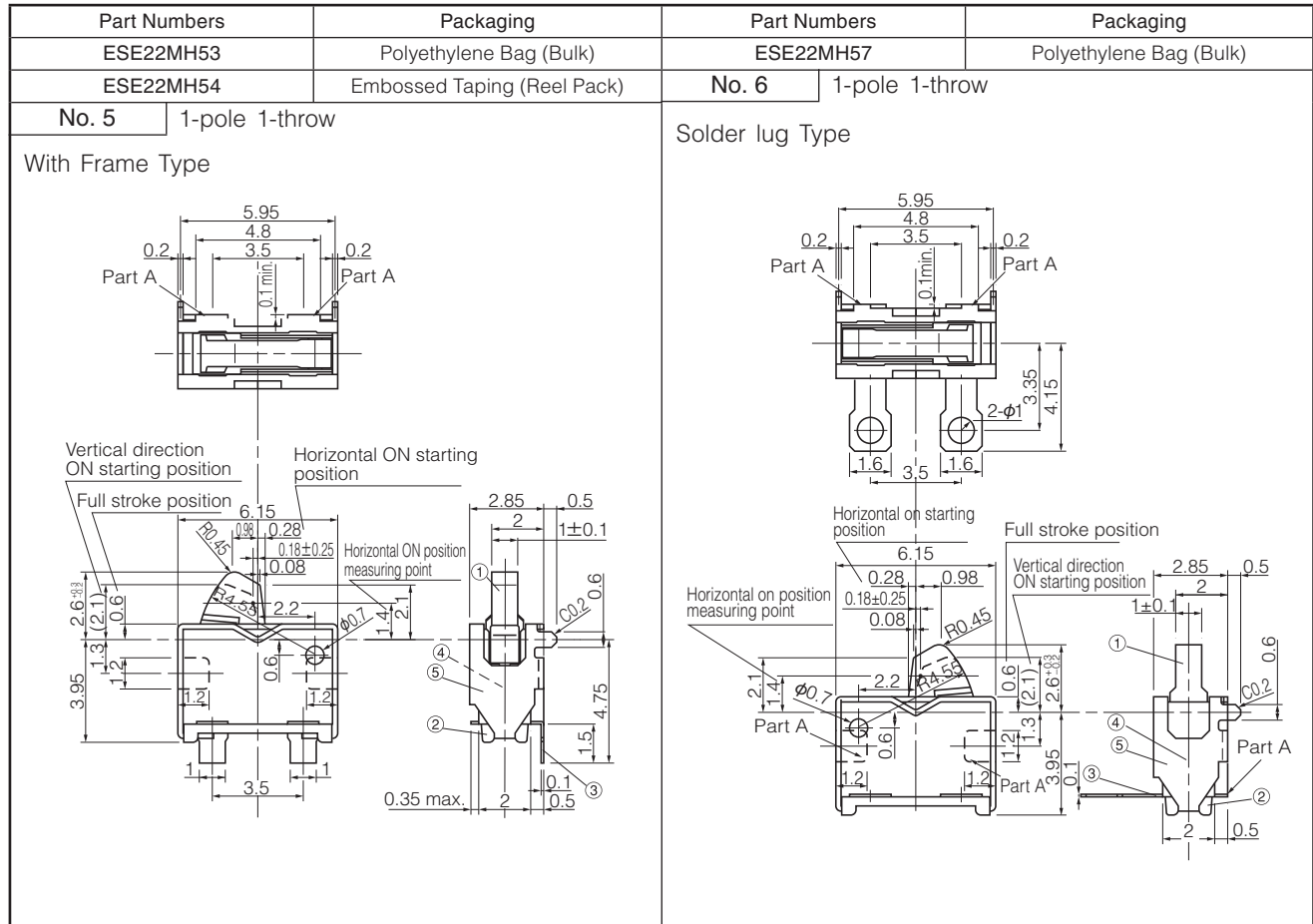
Design and specifications are each subject to change without notice. Ask factory for the current technical specifications before purchase and/or use. Should a safety concern arise regarding this product, please be sure to contact us immediately.

■ Dimensions in mm (not to scale)

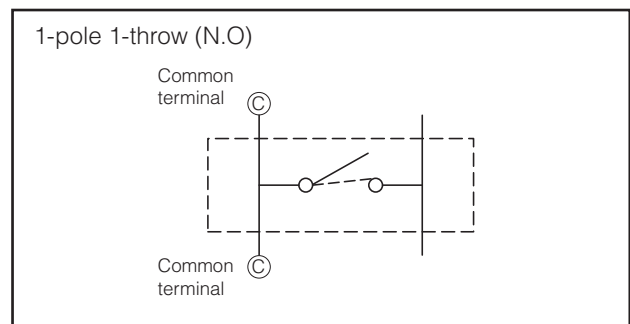


Design and specifications are each subject to change without notice. Ask factory for the current technical specifications before purchase and/or use. Should a safety concern arise regarding this product, please be sure to contact us immediately.

■ Dimensions in mm (not to scale)

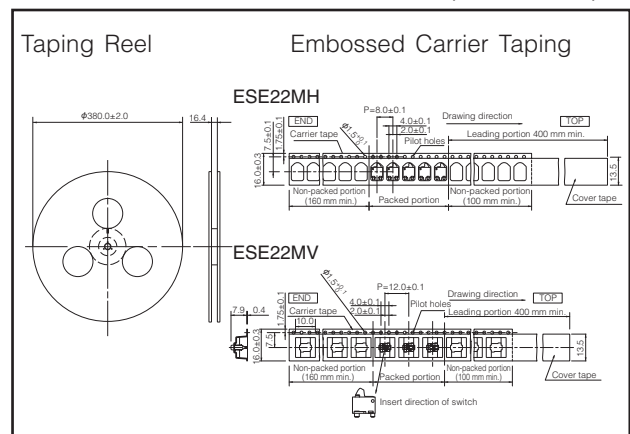


■ Circuit Diagram



■ Packaging Specifications

Standard Reel Dimensions in mm (not to scale)



Design and specifications are each subject to change without notice. Ask factory for the current technical specifications before purchase and/or use. Should a safety concern arise regarding this product, please be sure to contact us immediately.