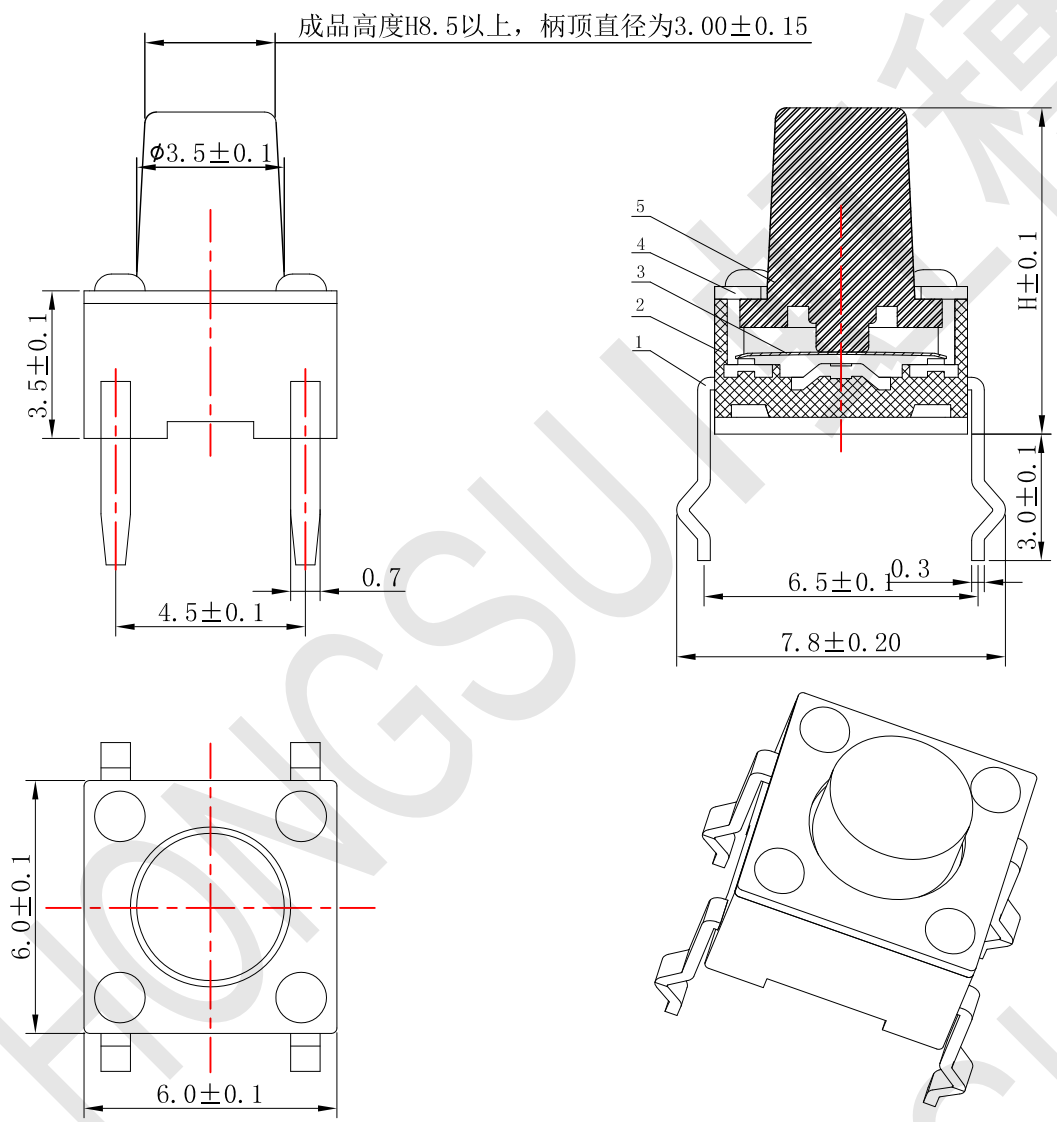
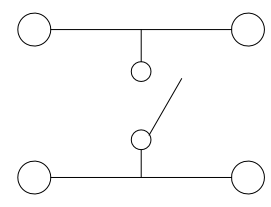


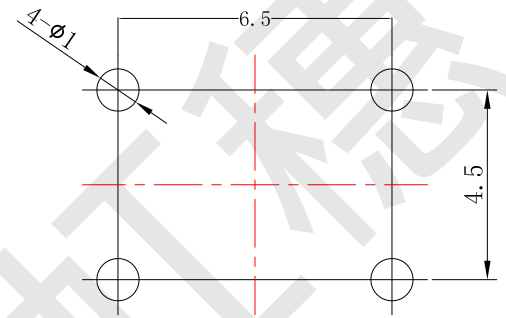
ITEM	H±0.1	
01	4.3	
02	4.5	
03	4.8	
04	5.0	✓
05	5.5	
06	6.0	
07	6.5	
08	7.0	
09	7.5	
10	8.0	
11	8.5	
12	9.0	
13	9.5	
14	10.0	
15	11.0	
16	12.0	
17	12.0	
18	13.0	
19	14.0	
20	15.0	
21	16.0	
22	21.0	
23	22.0	
24	23.0	



Version	ECM	Amendments	Modifier	Date Modified
A/0				



Circuit Diagram



PCB.circuit prohibited area

- Remarks:
1. Rated current、Voltage: DC 12V 50mA
 2. Contact resistance: ≤100mΩ
 3. Insulation resistance: ≥100MΩ
 4. The intensity of operations: 250±50gf
 5. Life requirements: 100000次
 6. Withstand voltage: AC 250V 1分钟
 7. All materials comply with RoHS2.0 standards

NO.	PART NAME	MATERIAL	QTY	FINISHING	General Tolerance	DRAWN	YANGGUOQUAN	Product Name	Tact Switch
7					X ≤ 1	±0.05	AFFIRM	LIUMINGQIANG	Model Number
6					1 ≤ X ≤ 5	±0.10	AUDITING		DATE
5	Button	PPA	1	Black	5 ≤ X ≤ 10	±0.15	SHEET	1:1 UNIT mm	2019-08-21
4	Cover	SPCC	1	Ni Plating	ANGLE	±3°			
3	Shrapnel	phosphor bronze	1	Ag Plating					
2	Housing	PPA	1	Black					
1	Terminal	Brass	4	Ag Plating					