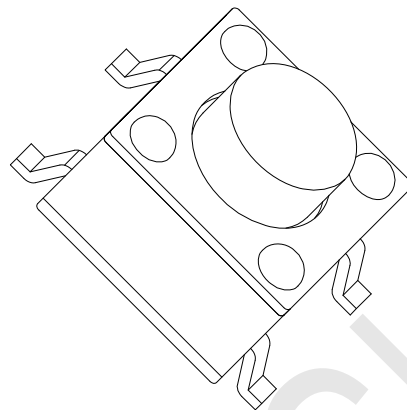
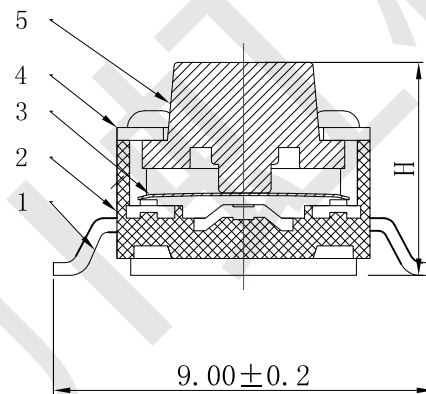
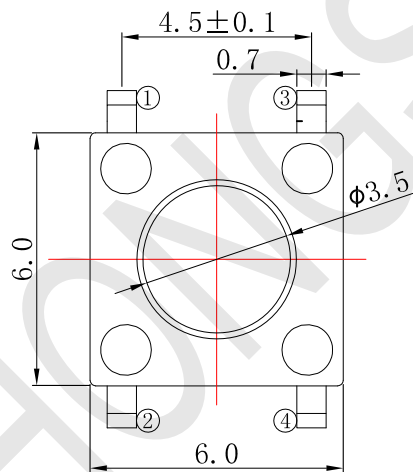
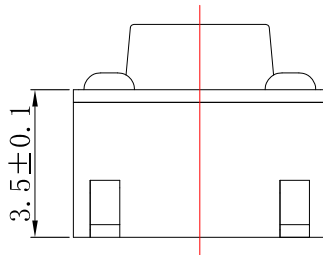
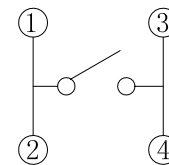


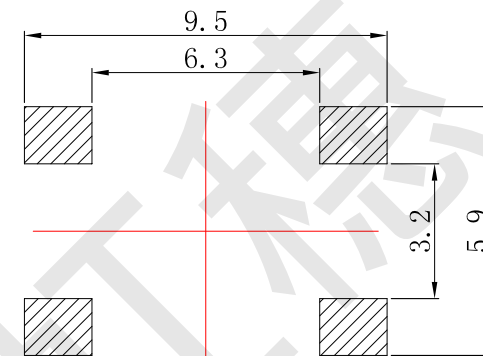
ITEM	H±0.1	
01	4.3	
02	4.5	
03	4.8	
04	5.0	√
05	5.5	
06	6.0	
07	6.5	
08	7.0	
09	7.5	
10	8.0	
11	8.5	
12	9.0	
13	9.5	
14	10.0	
15	11.0	
16	12.0	
17	12.0	
18	13.0	
19	14.0	
20	15.0	
21	16.0	
22	17.0	
23	18.0	
...	...	



Version	Amendments	Modifier	Date Modified
A/0	新制定	杨国权	2015-11-27
A/1	变更端子成型弯脚形状, 由L型改为Z型	杨国权	2018-07-25




Circuit diagram



PCB Layout

Remarks:

1. Rated current, Voltage: DC 12V 50mA
2. Contact resistance: $\leq 100\text{m}\Omega$
3. Insulation resistance: $\geq 100\text{M}\Omega$
4. The intensity of operations: $250 \pm 50\text{gf}$
5. Life requirements: 100000 times
6. Withstand voltage: AC 250V 1 minute
7. All materials comply with RoHS 2.0 standards

NO.	PART NAME	MATERIAL	QTY	FINISHING	General	Tolerance	DRAWN	YANGGUOQUAN	Product Name	Tact Switch	
5	Button	PPA	1	Black	$X \leq 1$	± 0.05	AFFIRM	LIUMINGQIANG	Model Number	TS60BB50B25B031	
4	Cover	Brass	1	Ni Plating	$1 \leq X \leq 5$	± 0.10	AUDITING		DATE	2018-07-25	
3	Shrapnel	SUS	1	Ag Plating	$5 \leq X \leq 10$	± 0.15					
2	Housing	PPA	1	Black	$X > 10$	± 0.25	SHEET	1:1	UNIT	mm	
1	Terminal	Brass	4	Ag Plating	ANGLE	$\pm 3^\circ$					
							 ZHEJIANG HONGSUI PRECISION ELECTRONIC CO., LTD				

