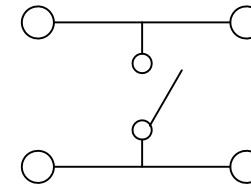
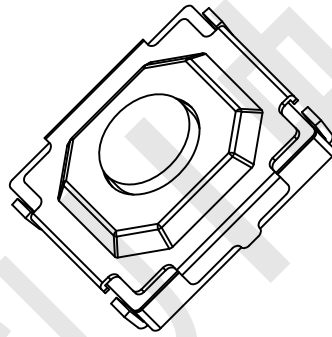
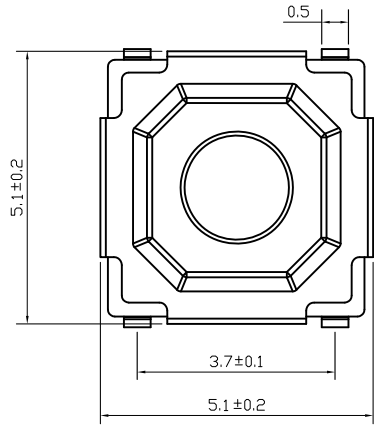
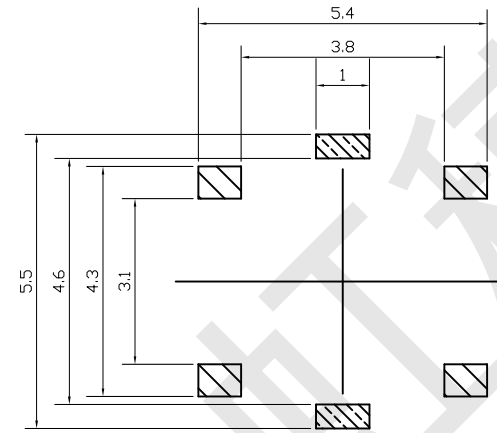


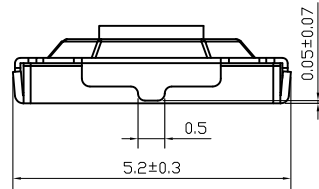
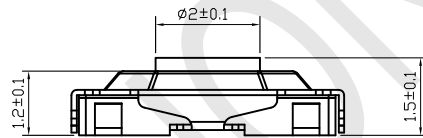
Version	Amendments	Modifier	Date Modified
A/0	新制订		



SCHEMATIC



PCB.circuit prohibited area



Remarks:

1. Rated current, Voltage: DC 12V 50mA
2. Contact resistance: $\leq 100\text{m}\Omega$
3. Insulation resistance: $\geq 100\text{M}\Omega$
4. The intensity of operations: $250 \pm 50\text{gf}$
5. Life requirements: 200000 times
6. Withstand voltage: AC250V 1 minute
7. All materials comply with RoHS standards

NO.	PART NAME	MATERIAL	QTY	FINISHING	General	Tolerance	DRAWN	ZHENGJIEMING	Product Name	Tact switch	
6	Housing	PPA	1	Black	$X \leq 1$	± 0.05	AFFIRM	YANGSHUSHENG	Model Number	TS52GB15B25B001	
5	Terminal	Brass	4	Ag PLATING	$1 \leq X \leq 5$	± 0.10	AUDITING		DATE	2020-10-19	
4	Shrapnel	SUS	1	Ag PLATING	$5 \leq X \leq 10$	± 0.15					
3	Paster	Polyimide	1	Yellow	$X > 10$	± 0.25	SHEET	1:1 UNIT mm			
2	Cover	SUS	1	Primary	ANGLE	$\pm 3^\circ$					
1	Button	Brass	1	Ni PLATING							
							Zhejiang Hongsui Precision Electronics Co., Ltd.				

